

**BATH FAUCET TRIM  
K-T12885-4**

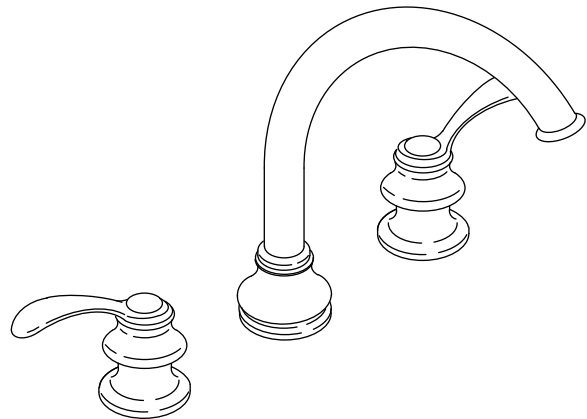
**Features**

- Brass construction
- Bath- or deck-mount
- ADA compliant lever handles
- 8-7/8" (225 mm) high-arch non-diverter spout with slip-fit connection

**Codes/Standards Applicable**

Specified model meets or exceeds the following:

- ASME A112.18.1/CSA B125.1



**Colors/Finishes**

- CP: Polished Chrome
- PB: Vibrant® Polished Brass
- Other: Refer to Price Book for additional colors/finishes

**Accessories**

- Other: Refer to Price Book for additional colors/finishes
- NA: None applicable

**Specified Model**

Model	Description	Colors/Finishes		
K-T12885-4	Bath faucet trim	<input type="checkbox"/> CP	<input type="checkbox"/> PB	<input type="checkbox"/> Other _____
<b>Required Accessories</b>				
K-300-K	1/2" high-flow ceramic disc valve system	<input type="checkbox"/> NA		
<b>Optional Accessories</b>				
K-12003	Plug button set	<input type="checkbox"/> Other _____		
73444	Deep roughing-in kit for high-flow deck-mount bath faucets (all handles)	<input type="checkbox"/> NA		

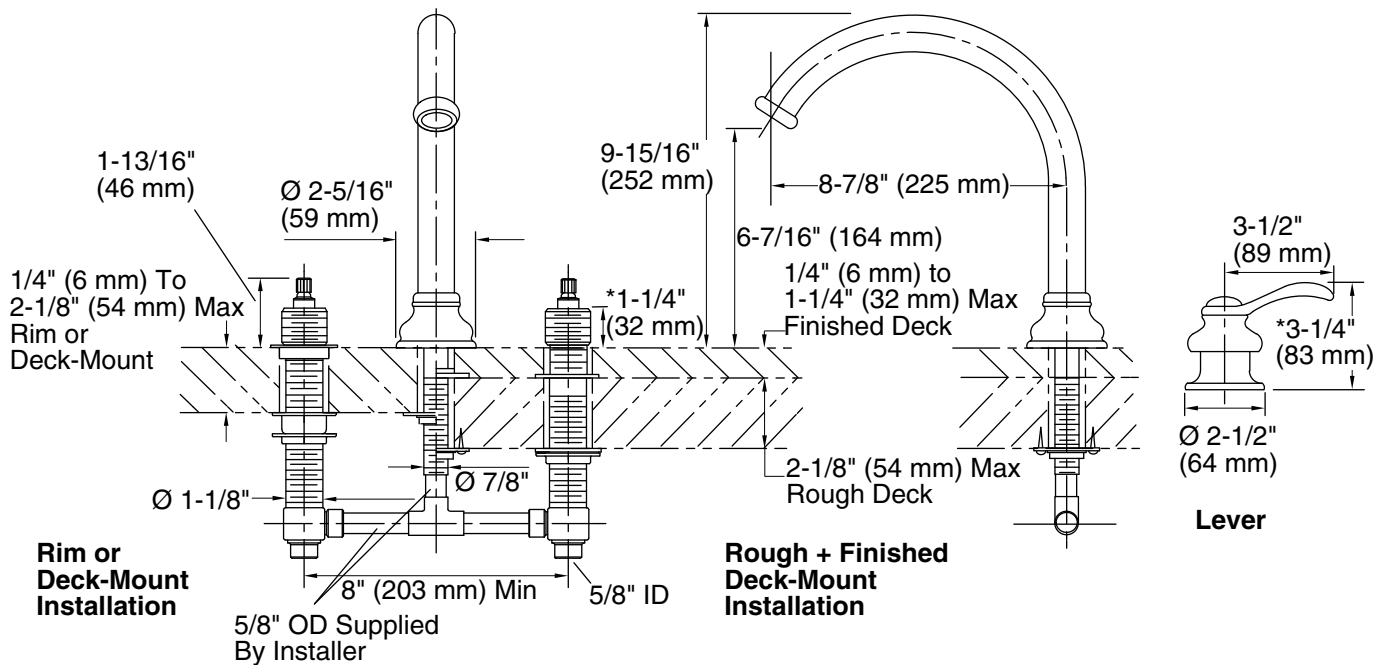
**Product Specification**

Two-handle bath- or deck-mount high-flow bath faucet trim shall be of brass construction. Product shall include 8-7/8" (225 mm) high-arch non-diverter spout with slip-fit connection, and lever handles. Bath faucet trim shall be Kohler Model K-T12885-4-\_\_\_\_\_ and valve system shall be Kohler Model K-300-K-NA.

# FAIRFAX®

## Installation Notes

Install this product according to the installation guide.



\*Dimension allows 1/4" (6 mm) handle adjustment during handle trim installation.

## Product Diagram