

**BATH FAUCET TRIM  
K-T5323**

**ADA**

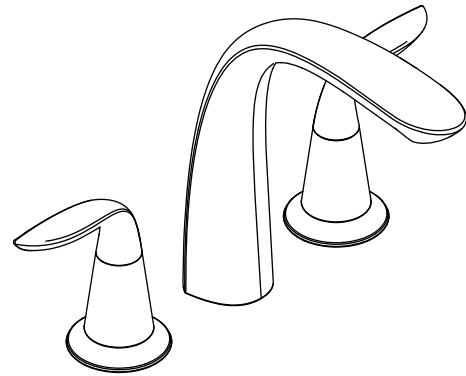
**Features**

- Metal construction
- Deck-mount
- High-arch non-diverter spout with slip-fit connection
- Stationary spout
- 7-7/16" (189 mm) spout reach

**Codes/Standards Applicable**

Specified model meets or exceeds the following at date of manufacture:

- ADA
- ICC/ANSI A117.1
- ASME A112.18.1/CSA B125.1
- All applicable US Federal and State material regulations



**Colors/Finishes**

- CP: Polished Chrome
- Other: Refer to Price Book for additional colors/finishes

**Accessories**

- NA: None applicable

**Specified Model**

Model	Description	Colors/Finishes	
K-T5323-4	Bath faucet trim	<input type="checkbox"/> CP	<input type="checkbox"/> Other ____
<b>Required Accessories</b>			
K-300-K	1/2" high-flow ceramic disc valve system <b>OR</b>	<input type="checkbox"/> NA	
K-301-K	3/4" high-flow ceramic disc valve system	<input type="checkbox"/> NA	
<b>Optional Accessories</b>			
73444	Deep roughing-in kit – provides an additional 1/2" (13 mm) of tile thickness for faucet installations using 1/2" valve systems	<input type="checkbox"/> NA	
1086701	Deep roughing-in kit – provides an additional 1/2" (13 mm) of tile thickness for faucet installations using 3/4" valve systems	<input type="checkbox"/> NA	

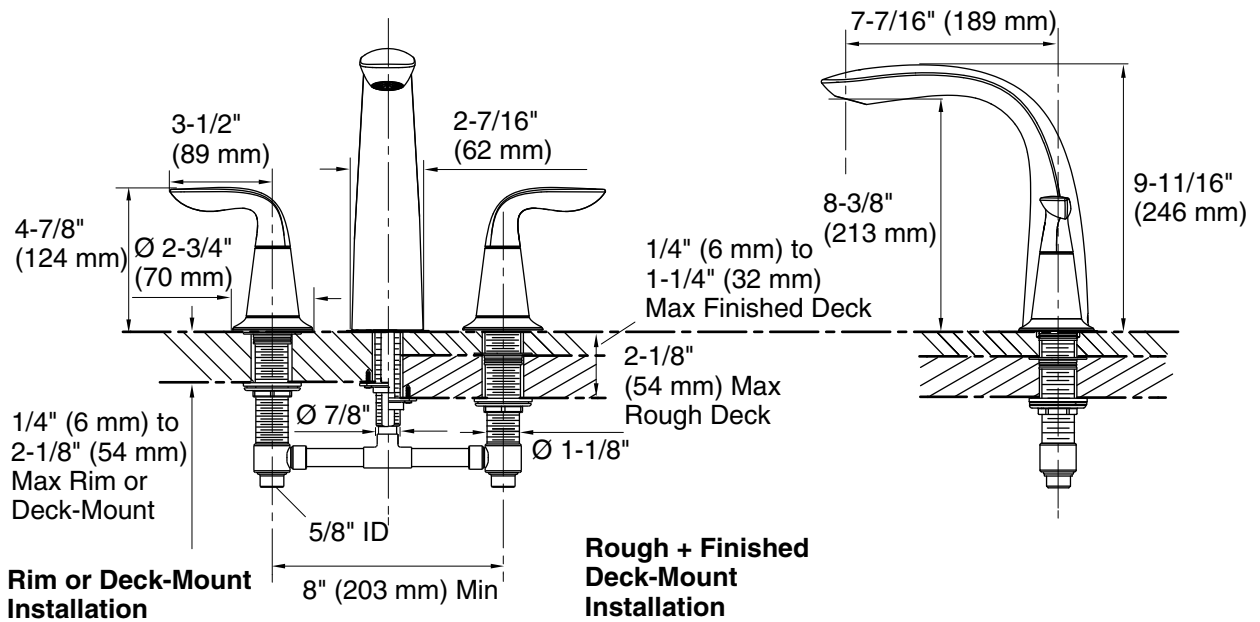
**Product Specification**

The two-handle deck-mount bath faucet trim shall be of metal construction. Product shall feature a 7-7/16" (189 mm) spout reach, stationary spout, and a high-arch non-diverter spout with slip-fit connection. The bath faucet trim shall be Kohler Model K-T5323-4-\_\_\_\_ with required valve system Kohler Model K-\_\_\_\_-K-NA.

# REFINIA™

## Installation Notes

Install this product according to the installation guide.



## Product Diagram