

**DECK-MOUNT BATH FILLER  
K-10873-4**

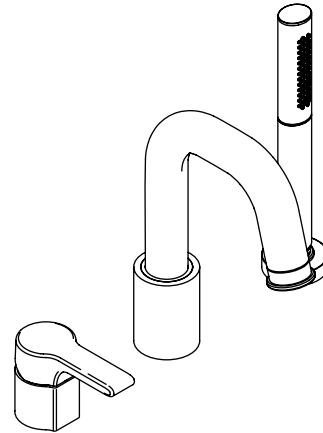
**Features**

- Brass construction
- Deck-mount installation
- 9-1/8" (232 mm) high-arc spout
- One-piece, self-contained ceramic disc valve allows both volume and temperature control
- Rotational spout
- Adjustable handshower sprayface rotates to select wide-coverage or forceful utility spray options
- MasterClean™ sprayface resists hard water buildup and easy to clean

**Codes/Standards Applicable**

Specified model meets or exceeds the following at date of manufacture:

- ASME A112.18.1/CSA B125.1
- ASSE 1014
- CEC Standard 1605.3(h)



**Colors/Finishes**

- CP: Polished Chrome

**Specified Model:**

| Model     | Description            | Color/Finish                |
|-----------|------------------------|-----------------------------|
| K-10873-4 | Deck-mount bath filler | <input type="checkbox"/> CP |

**Product Specification**

The deck-mount bath filler shall be made of brass construction. Product shall have 9-1/8" (232 mm) high-arc spout and rotational spout. Product shall have a one-piece, self-contained ceramic disc valve, which allows both volume and temperature control. Product shall have an adjustable handshower sprayface, which rotates to select wide-coverage or forceful utility spray options. MasterClean™ sprayface resists hard water buildup and easy to clean. The deck-mount bath filler shall be Kohler Model K-\_\_\_\_-\_\_\_\_.

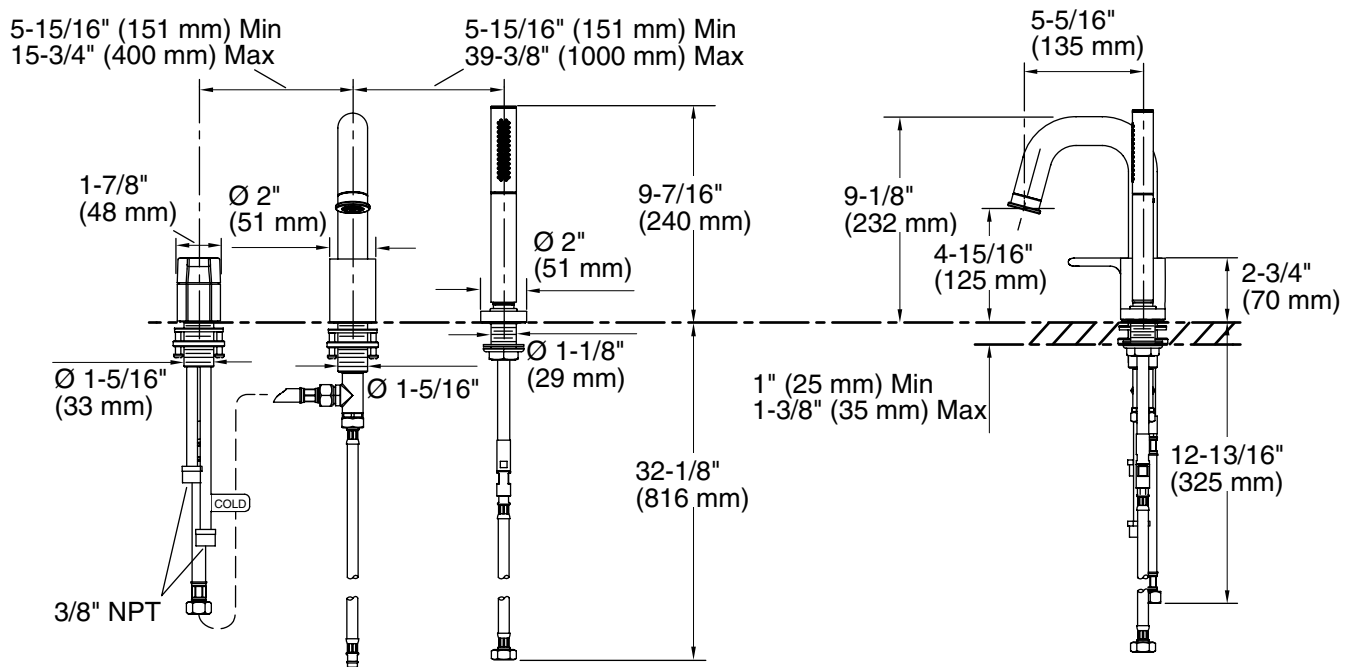
# SINGULIER™

## Installation Notes

Install this product according to the installation guide.



**WARNING:** Risk of personal injury. Do not use this product as a handrail. This product is not designed to support weight.



## Product Diagram