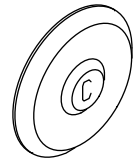


**SHELF-BACK BATHROOM SINK
FAUCET
K-7482**

Features

- Brass construction
- For 6-1/2" (165 mm) centers
- Concealed self-closing valves
- 3/8" NPT connections
- Vandal-resistant
- Indexed push buttons for hot and cold water
- Intended for Chardon™ bathroom sink installations



Codes/Standards Applicable

Specified model meets or exceeds the following:

- ASME A112.18.1/CSA B125.1
- Energy Policy Act of 2005



Colors/Finishes

- CP: Polished Chrome

Specified Model

Model	Wall Thickness	Color/Finishes
K-7482	1" (25 mm)	<input type="checkbox"/> CP
K-7482-A	2" (51 mm)	<input type="checkbox"/> CP
K-7482-B	3" (76 mm)	<input type="checkbox"/> CP
K-7482-C	4" (102 mm)	<input type="checkbox"/> CP
K-7482-D	5" (127 mm)	<input type="checkbox"/> CP
K-7482-E	6" (152 mm)	<input type="checkbox"/> CP
K-7482-F	7" (178 mm)	<input type="checkbox"/> CP
K-7482-G	8" (203 mm)	<input type="checkbox"/> CP
K-7482-H	9" (229 mm)	<input type="checkbox"/> CP
K-7482-I	10" (254 mm)	<input type="checkbox"/> CP
K-7482-L	11" (279 mm)	<input type="checkbox"/> CP
K-7482-J	12" (305 mm)	<input type="checkbox"/> CP

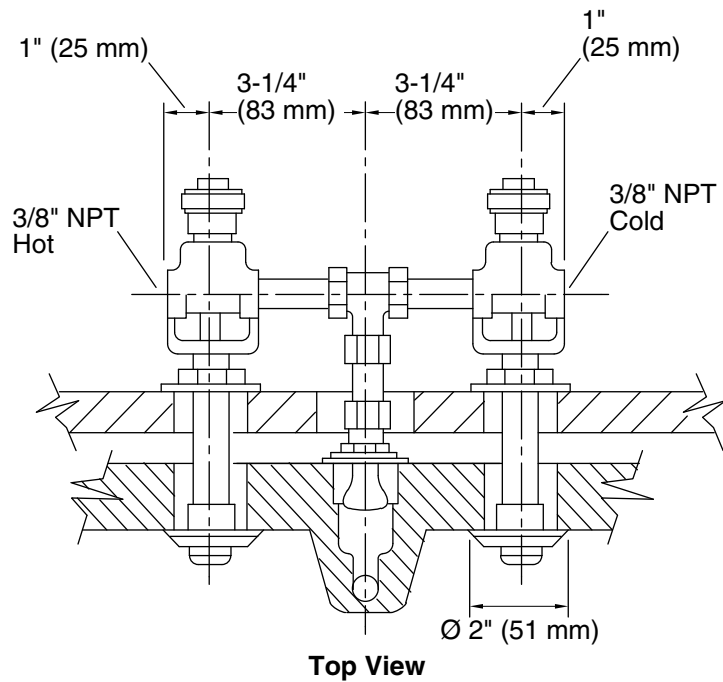
NOTE: For wall thicknesses greater than 12" (305 mm), contact your Kohler Branch Office for availability.

Product Specification

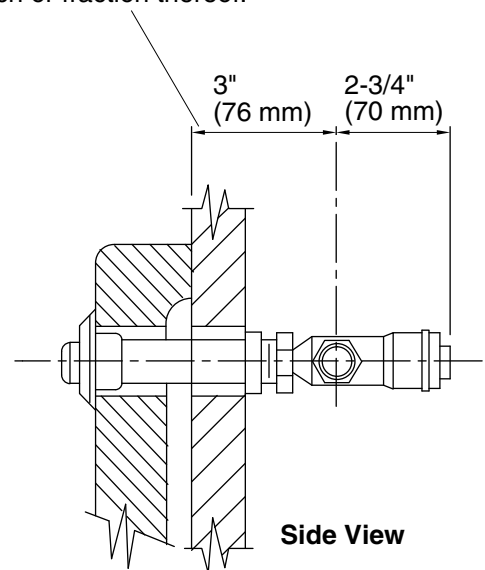
Shelf-back vandal-resistant bathroom sink faucet shall be of brass construction. Faucet shall feature concealed self-closing valves. Product is intended for Chardon bathroom sink installations. Faucet shall be for 6-1/2" (165 mm) centers. Faucet shall include fixed indexed push buttons for hot and cold water, and NPT connections. Faucet shall be Kohler Model K-7482-_____-CP.

Installation Notes

Install this product according to the installation guide.



Note: Supply fitting required furnished for wall not to exceed 1" (25 mm) thick. For thicker wall add 1" (25 mm) to supply measurement [3" (76 mm)] for every inch or fraction thereof.



Product Diagram