

**BATH FAUCET TRIM
K-T13494**

ADA

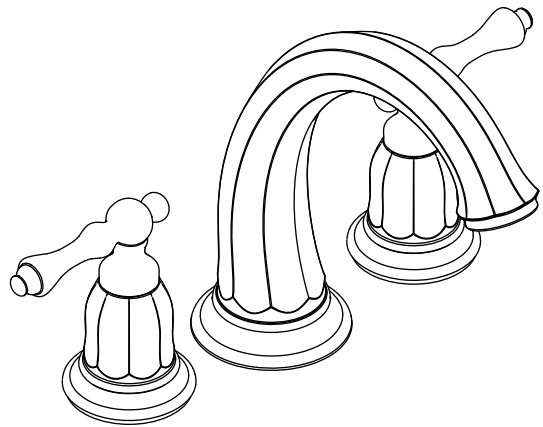
Features

- Brass construction
- Deck-mount
- Lever handles are ADA compliant
- High-arch non-diverter spout with slip-fit connection
- Stationary spout
- 6-1/2" (165 mm) spout reach

Codes/Standards Applicable

Specified model meets or exceeds the following at date of manufacture:

- ADA
- ASME A112.18.1/CSA B125.1
- ICC/ANSI A117.1
- All applicable US Federal and State material regulations



Colors/Finishes

- CP: Polished Chrome
- Other: Refer to Price Book for additional colors/finishes

Accessories

- NA: None applicable

Specified Model

Model	Description	Colors/Finishes	
K-T13494-4	Bath faucet trim	<input type="checkbox"/> CP	<input type="checkbox"/> Other ____
Required Accessories			
K-300-K	1/2" high-flow ceramic disc valve system OR	<input type="checkbox"/> NA	
K-301-K	3/4" high-flow ceramic disc valve system	<input type="checkbox"/> NA	
Optional Accessories			
1071648	Deep rough-in kit – provides an additional 1/2" (13 mm) of tile thickness for faucet installations using 1/2" or 3/4" valve systems	<input type="checkbox"/> NA	

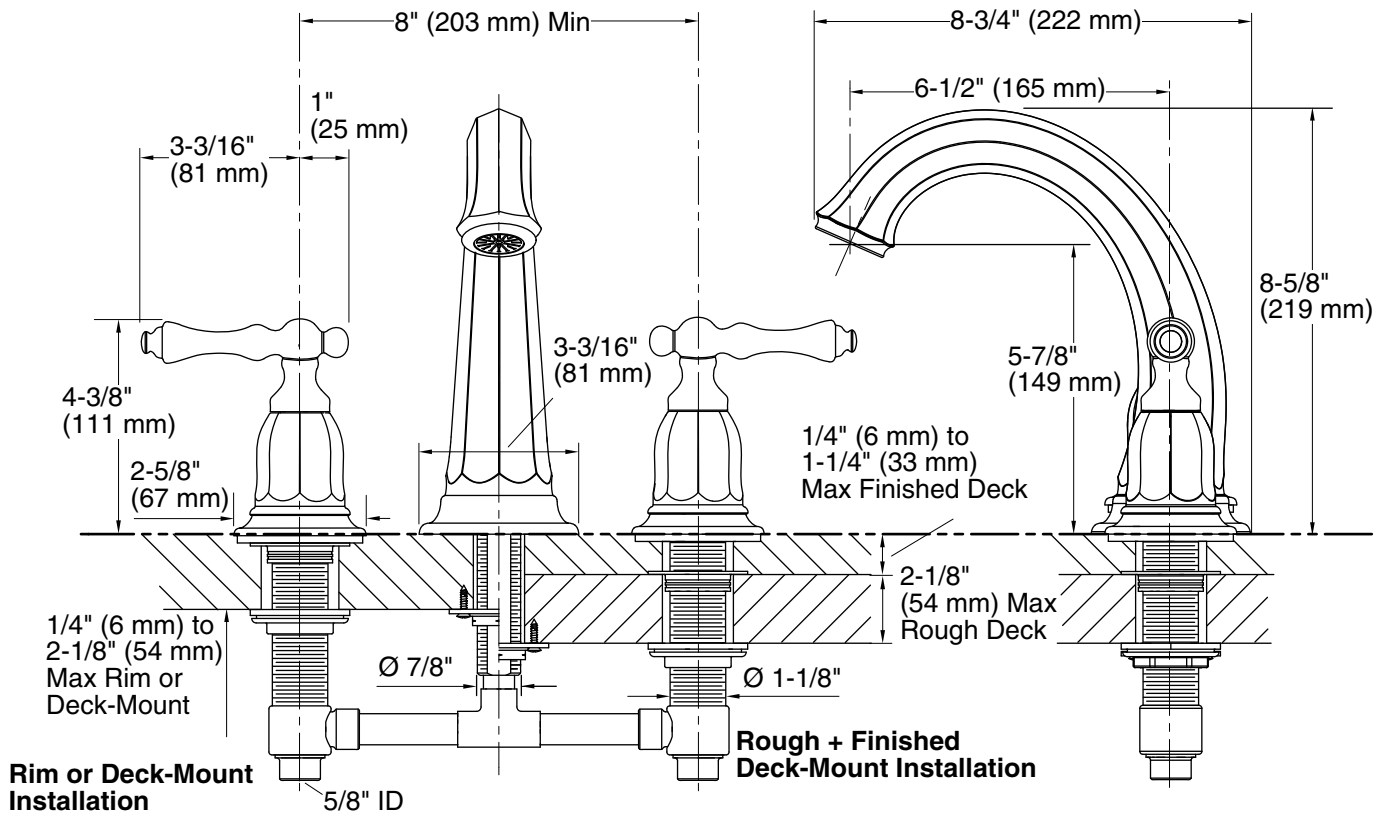
Product Specification

The two-handle deck-mount bath faucet trim shall be of brass construction. Product shall feature a 6-1/2" (165 mm) spout reach, stationary spout, and a high-arch non-diverter spout with slip-fit connection. Product shall feature lever handles which are ADA compliant. The bath faucet trim shall be Kohler Model K-T13494-4-____ with required valve system Kohler Model K-____-K-NA

KELSTON™

Installation Notes

Install this product according to the installation guide.



Product Diagram