

**Features**

- Brass construction
- Wall-mount installation
- High-temperature limit setting for added safety
- Water-saving stop
- Requires a handshower and hose with backflow prevention

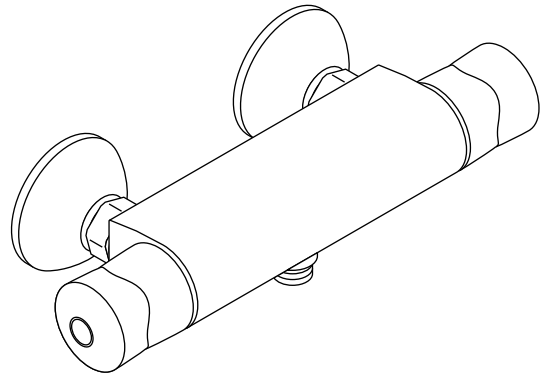
**Codes/Standards Applicable**

Specified model meets or exceeds the following:

- ASME A112.18.1/CSA B125.1
- ASSE 1016

**THERMOSTATIC WALL-MOUNT VALVE**

**K-19537P-7**



**Colors/Finishes**

- CP: Polished Chrome

**Accessories:**

- CP: Polished Chrome

**Specified Model**

Model	Description	Colors/Finishes
K-19537P-7	Thermostatic wall-mount valve	<input type="checkbox"/> CP

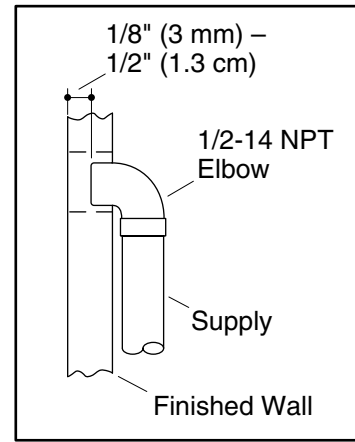
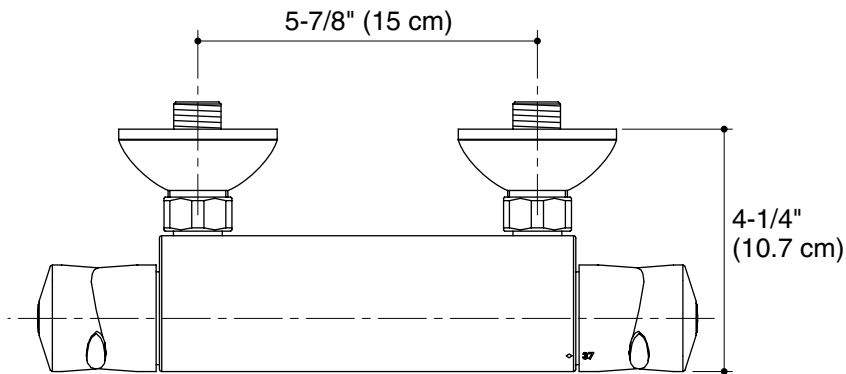
Required Accessories		
K-8486	Handshower kit	<input type="checkbox"/> CP
K-8501	MasterShower® invigorating handshower <b>OR</b>	<input type="checkbox"/> CP
K-8502	MasterShower relaxing handshower <b>OR</b>	<input type="checkbox"/> CP
K-8503	MasterShower family handshower <b>OR</b>	<input type="checkbox"/> CP
K-8543	MasterShower relaxing Eco handshower	<input type="checkbox"/> CP
K-9514	60" (152.4 cm) metal shower hose	<input type="checkbox"/> CP

**Product Specification**

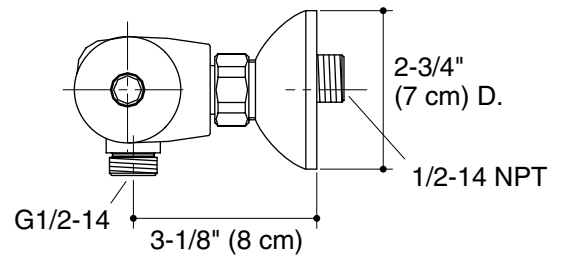
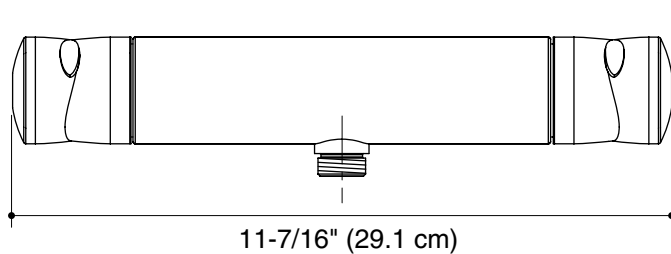
The thermostatic wall-mount valve shall be of brass construction. Product shall be for wall-mount installation. Product shall feature a high-temperature limit setting for added safety and water-saving stop. Product requires a handshower and hose with backflow prevention. Product shall be Kohler Model K-19537P-7-CP.

## Installation Notes

Install this product according to the installation guide.



Supply Detail



## Product Diagram

THERMOSTATIC WALL-MOUNT VALVE

Page 2 of 2  
1084859-4-B

THE BOLD LOOK  
OF **KOHLER**