

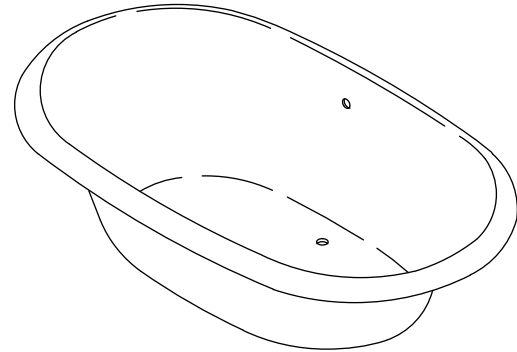
### Features

- Cast iron with Safeguard® finish
- Installed as a drop-in or free-standing unit
- 72" (1829 mm) x 42" (1067 mm) x 21-3/16" (538 mm) (drop-in)
- 72" (1829 mm) x 42" (1067 mm) x 24" (610 mm) (free-standing with base)

### Codes/Standards Applicable

Specified model meets or exceeds the following:

- ASME A112.19.2/CSA B45.1



### Colors/Finishes

- 0: White
- Other: Refer to Price Book for additional colors/finishes

#### Accessories:

- CP: Polished Chrome
- PB: Vibrant® Polished Brass
- WA: Natural Ash
- WB: Golden Oak
- WC: Dark Walnut
- Other: Refer to Price Book for additional colors/finishes
- NA: None applicable

### Specified Model

Model	Description	Colors/Finishes	
K-700	Drop-in or free-standing bath	<input type="checkbox"/> 0	<input type="checkbox"/> Other_____

Recommended Accessories				
K-1172	Adjustable feet (for free-standing bath)			<input type="checkbox"/> NA
K-705	Wood base (for free-standing bath) <b>OR</b>	<input type="checkbox"/> WA	<input type="checkbox"/> WB	<input type="checkbox"/> Other_____
K-709	Ceramic base (for free-standing bath)	<input type="checkbox"/> White		<input type="checkbox"/> Other_____

Recommended Accessories				
K-7159	Vintage™ drain for free-standing bath	<input type="checkbox"/> CP	<input type="checkbox"/> PB	<input type="checkbox"/> Other_____

### Product Specification

The bath shall be 72" (1829 mm) in length, 42" (1067 mm) in width, and 21-3/16" (538 mm) in height (drop-in) or 72" (1829 mm) in length, 42" (1067 mm) in width, and 24" (610 mm) in height (free-standing). Bath shall be made of cast iron with Safeguard® finish. Bath shall be installed as drop-in or free-standing unit. Bath shall be Kohler Model K-700-\_\_\_\_\_.

# VINTAGE™

## Technical Information

Fixture*:	basin area	top area	weight
Bathing well	44" (1118 mm) x 24" (610 mm)	60" (1524 mm) x 32" (813 mm)	485 lbs (220 kg)
To overflow	15" (381 mm)	82 gal. (310 L)	

\* Approximate measurements for comparison only.

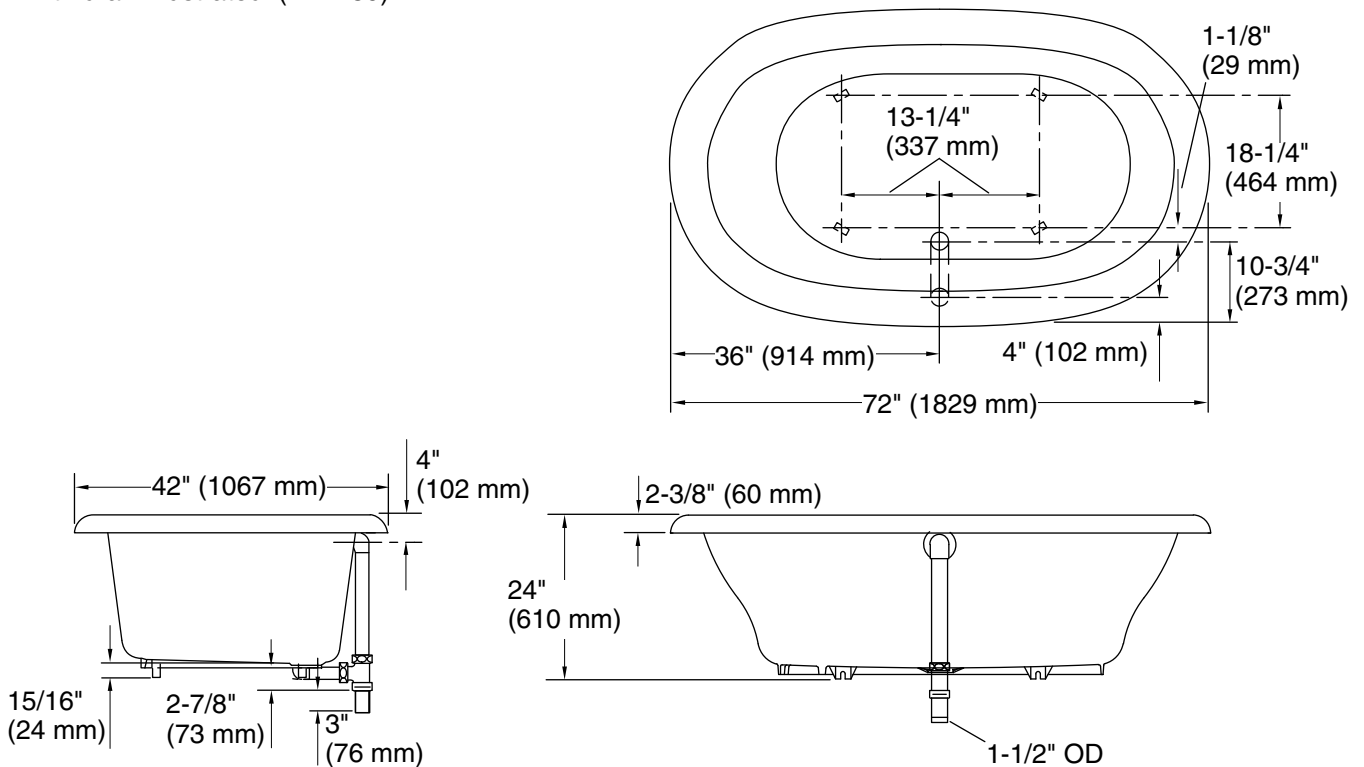
Included Components:	
Cut-out template	106594-7

## Installation Notes

Install this product according to the installation guide.

Floor support under bath must provide for a minimum of 57 lbs. (278 kg).

No change in measurements if connected with drain illustrated. ( K-7159)



## Product Diagram