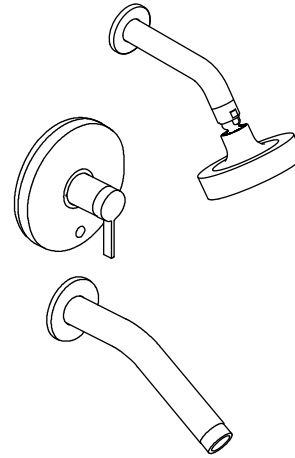


Features

- Brass construction
- Push-button diverter
- Available with lever handle
- Includes showerhead with arm and flange

BATH & SHOWER TRIM SET **K-T948** ALSO K-T949, K-T950, K-952



Codes/Standards Applicable

Specified model meets or exceeds the following:

- ASME A112.18.1/CSA B125.1

Colors/Finishes

- CP: Polished Chrome
- Other: Refer to Price Book for additional colors/finishes

Accessories

- CP: Polished Chrome
- Other: Refer to Price Book for additional colors/finishes
- NA: None applicable

Specified Model

For complete faucet, both faucet trim and Rite-Temp® valve must be specified.			
Model	Description		
K-T948-4	Bath and shower faucet trim with lever handle	<input type="checkbox"/> CP	<input type="checkbox"/> Other _____
K-T949-4	Shower faucet trim with lever handle	<input type="checkbox"/> CP	<input type="checkbox"/> Other _____
K-T950-4	Valve trim with lever handle	<input type="checkbox"/> CP	<input type="checkbox"/> Other _____
K-952	Wall-mount bath spout	<input type="checkbox"/> CP	<input type="checkbox"/> Other _____
K-T1004-4	Shower handle trim with diverter (showerhead and bath spout not included)	<input type="checkbox"/> CP	<input type="checkbox"/> Other _____

Required Accessories		
K-304-*	RiteTemp® valve OR	<input type="checkbox"/> NA
K-2971-KS	Rite-Temp valve OR	<input type="checkbox"/> NA
K-11748-K	RiteTemp valve with diverter OR	<input type="checkbox"/> NA

Product Specification

The Rite-Temp pressure-balancing single-handle bath & shower trim set shall be made of brass construction. Bath and shower trim shall include showerhead with arm and flange, and push-button diverter. Shower only trim shall include showerhead with arm and flange. Faucet trim shall be K-T_____-_____-_____, and Rite-Temp valve shall be K-_____-_____-NA.

STILLNESS®

Required Accessories

K-11748-KS	RiteTemp valve with diverter and stops	<input type="checkbox"/> NA
------------	--	-----------------------------

* For a complete listing of all the RiteTemp valves, refer to the K-304-* Specification Sheet or Roughing-In Sheet.

Optional Accessories

88526	HiFlow Rite-Temp® thin wall installation kit	<input type="checkbox"/> CP	<input type="checkbox"/> Other _____
-------	--	-----------------------------	--------------------------------------

1016154	Deep roughing-in kit for Rite-Temp® valve – lever or cross handle designs	<input type="checkbox"/> NA	
---------	---	-----------------------------	--

Installation Notes

Install this product according to the installation guide.

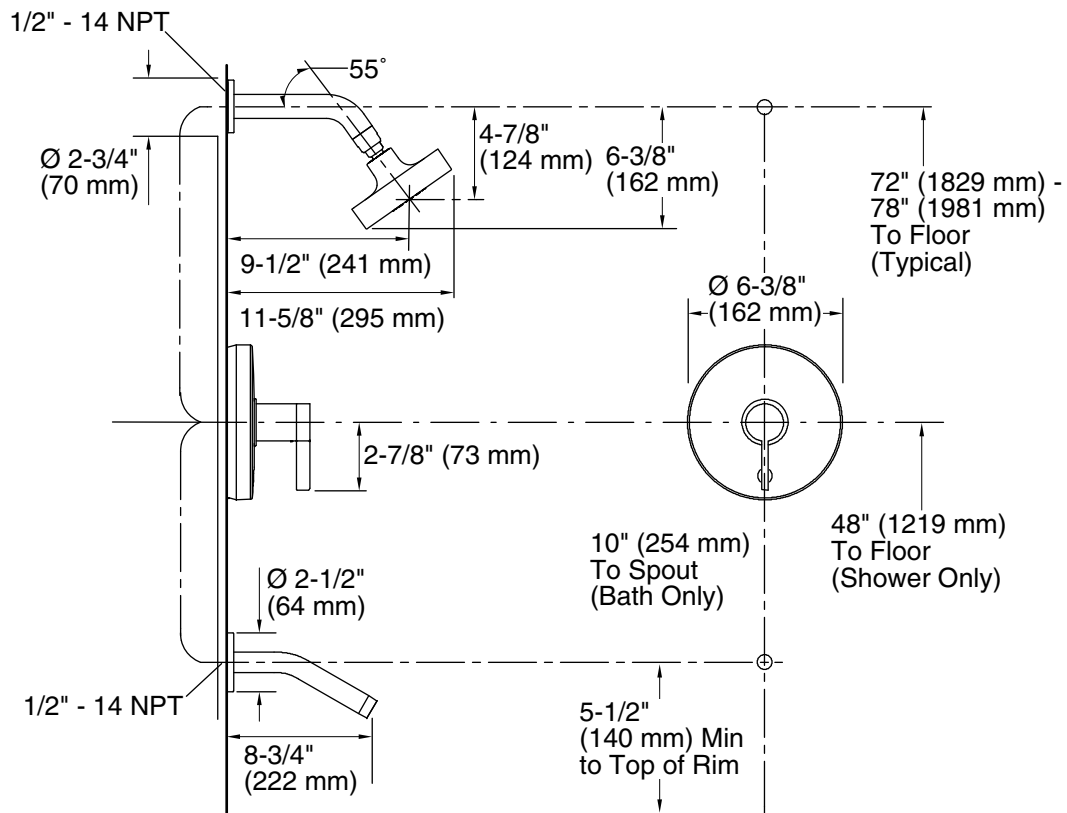
NOTICE: Risk of product damage. Long screws, for installing trim, can damage the K-2971-KS valve. Consult the trim installation guide to verify if the thin wall installation kit (88526) is needed.

Install this product according to the installation guide

Avoid cross-flow conditions. Do not install shut-off device on either valve outlet.

Cap shower outlet if deck-mount spout, diverter, or handshower is connected to spout outlet.

Install straight pipe or tube drop of 7" (178 mm) to 18" (457 mm) with single elbow between valve and wall-mount spout.



Product Diagram