

# Installation Instructions

## Touchless Kitchen Faucet

Record your model number:

Noter le numéro de modèle:

Anote su número de modelo: \_\_\_\_\_

Français, page 21

Español, página 41

**KOHLER**<sup>®</sup>

# Thank You for Choosing KOHLER

---

Need help? Contact our Customer Care Center.

- USA/Canada: 1-800-4KOHLER (1-800-456-4537) Mexico: 001-800-456-4537
- Service parts: [kohler.com/serviceparts](https://www.kohler.com/serviceparts)
- Care and cleaning: [kohler.com/clean](https://www.kohler.com/clean)
- Patents: [kohlercompany.com/patents](https://www.kohlercompany.com/patents)

## Warranty

---

This product is covered under the **KOHLER® Electronic Faucets, Valves, and Controls Five-Year Limited Warranty**, found at [kohler.com/warranty](https://www.kohler.com/warranty). For a hardcopy of warranty terms, contact the Customer Care Center.

## Important Information

---



**WARNING: When using electrical products, basic precautions should always be followed, including the following:**



**DANGER: Risk of electric shock.** Connect only to a circuit protected by a Ground-Fault Circuit-Interrupter (GFCI)\*.



**WARNING: Risk of electric shock.** Grounding is required. A qualified electrician should make all electrical connections.



**WARNING: Risk of electric shock.** Disconnect the power before servicing.



**WARNING: Risk of injury or property damage.** Read all instructions thoroughly before beginning installation.



**CAUTION: Risk of fresh water contamination.** This faucet contains back-siphonage protection. To prevent water contamination, do not remove any internal components.



**CAUTION: Risk of product damage.** This product contains sensitive electronic components. Do not store open containers of chemical or cleaning products near this product. Cleaning rags or sponges must be rinsed with fresh water before storage.

**IMPORTANT!** Do not use a switch-controlled electrical outlet (typically used for garbage disposals) to provide power to the faucet.

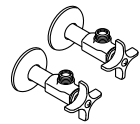
Follow all local plumbing, building, and electrical codes.

If installing the optional power supply, provide an unswitched 120 VAC unswitched electrical outlet within reach.

\*Outside North America, this may be known as a Residual Current Device (RCD).

## Tools and Materials

---



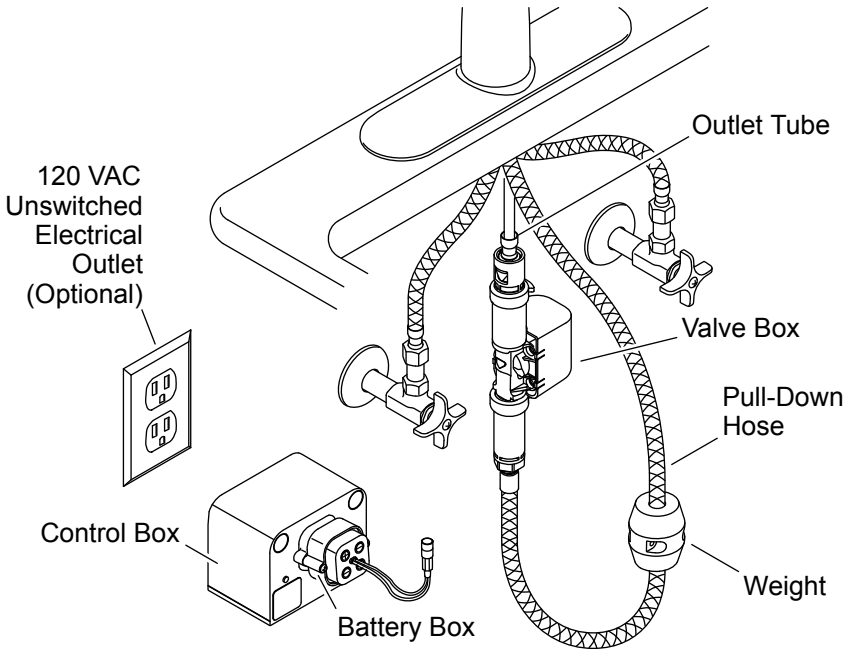
3/8"

### Optional:

- 120 VAC Unswitched Electrical Outlet
- Plywood Support

# Before You Begin

---



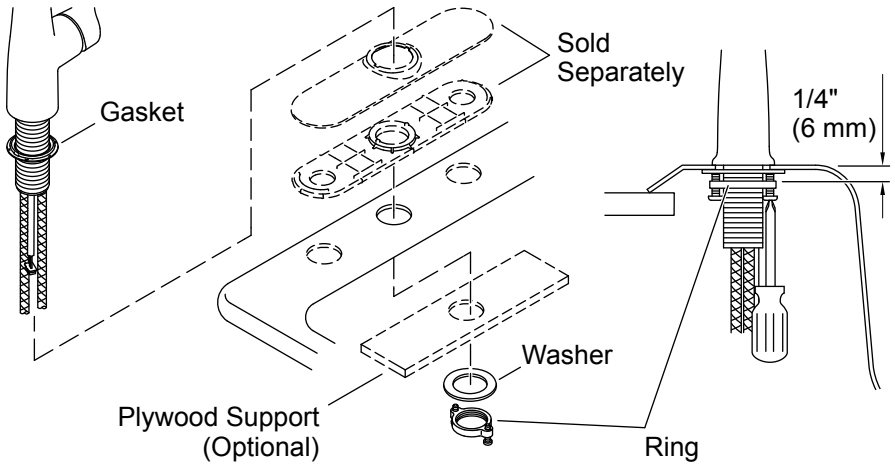
**⚠ CAUTION: Risk of restricted water flow and product damage.** The supply hoses and pull-down hose must not be taut, kinked, or twisted when installed.

**NOTE:** Allow adequate clearance for servicing.

- Before installing the faucet, verify that the area under the sink can accommodate all required components.
- If installing the optional power supply, verify that there is an unswitched 120 VAC electrical outlet within reach.
- Turn OFF the water supplies.

# 1. Install the Faucet

---



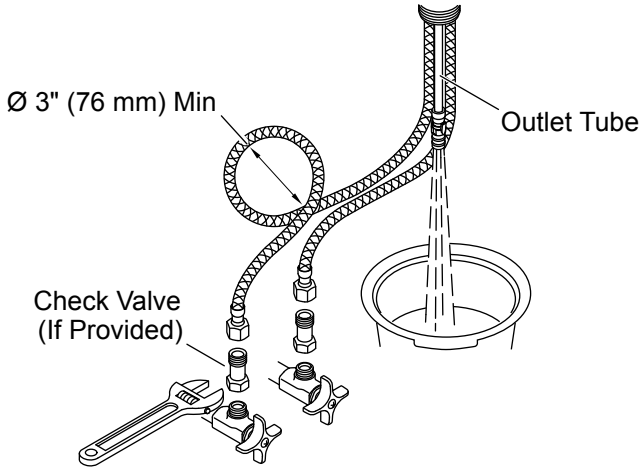
**NOTE:** Handle orientation is designed to be on the right.

**NOTE:** For thin gauge stainless steel sinks, consider installing a 1/2" (13 mm) plywood support (not supplied) between the washer and the sink.

- Install the gasket to the faucet with the foam side down.
- For Three-Hole Sinks:** Place the escutcheon and undercover (sold separately) over the faucet holes. Insert the faucet, with the handle on the right, through the escutcheon and the mounting surface.
- For Single-Hole Sinks:** Insert the faucet through the mounting surface with the handle on the right.
- Partially thread the screws into the ring until they extend 1/4" (6 mm) out the opposite side.
- Slide the washer and ring over the hoses and wires and up to the shank.
- Thread the ring onto the shank until the washer contacts the underside of the sink.
- Adjust the ring to align the screws with the front and back of the faucet.
- Securely tighten the screws.

## 2. Connect the Supply Hoses

---

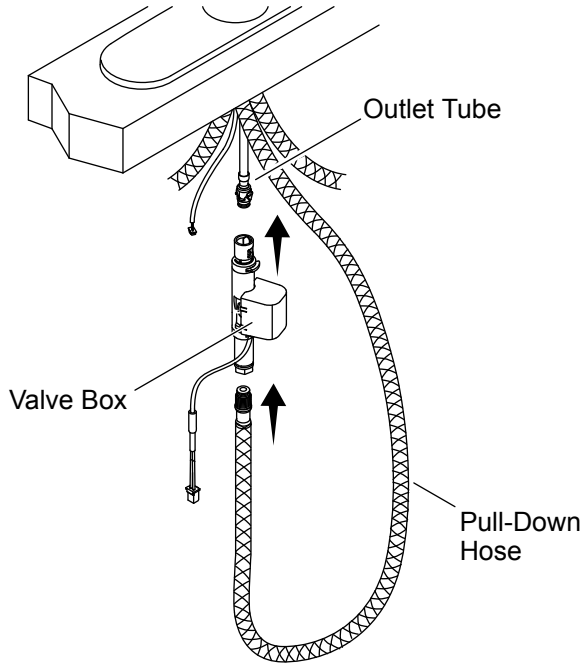


**CAUTION: Risk of restricted water flow and product damage.** The supply hoses must not be taut, kinked, or twisted. If the supply hoses must be coiled, maintain an inside diameter of 3" (76 mm).

- If provided, install the check valves between the supply hoses and the supply stops.
- Connect and tighten the supply hoses to the supply stops.
- Place a bucket under the outlet hose.
- Turn ON the water supplies.
- Flush hot and cold water for 1 minute to remove any debris.
- Turn OFF the water supplies.

### 3. Install the Valve Box

---

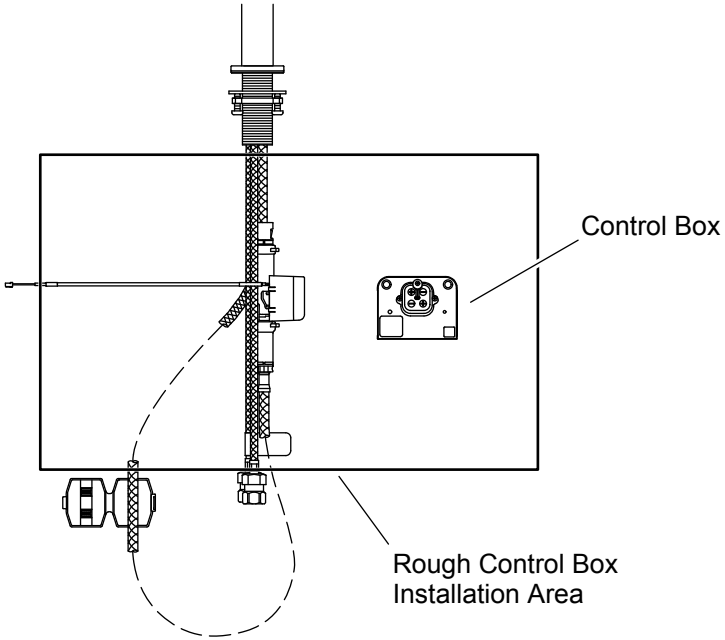


**CAUTION: Risk of restricted water flow and product damage.** The pull-down hose must not be taut, kinked, or twisted when installed.

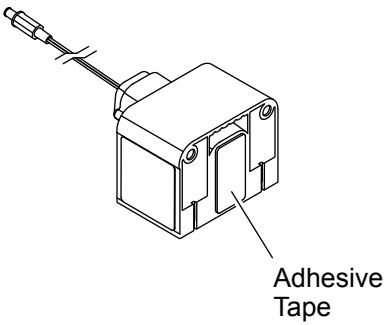
- Handtighten the pull-down hose into the valve box.
- Push the inlet fitting on the valve box onto the outlet tube until a click is heard.

## 4. Install the Control Box

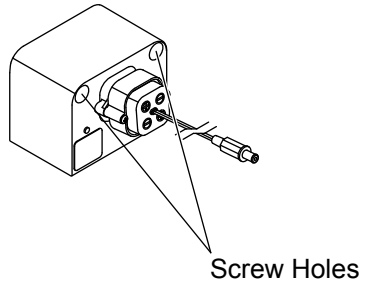
---



**Option 1**



**Option 2**

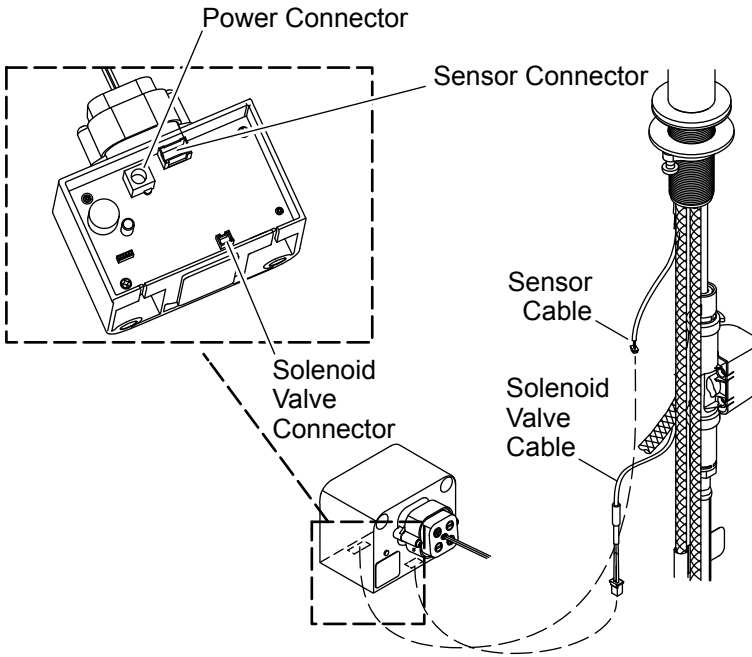




- Attach the control box to the wall on the back of the cabinet.
- Before mounting the control box, verify that the location allows for the sensor cable and solenoid valve cable to be connected.
- Mark the control box location on the wall and determine the best mounting option:
  - Option 1: Use the adhesive tape to attach the control box to the wall.
  - Option 2: Use the two provided screws to secure the control box to the wall.
- Verify that the control box is level and that the battery box stays securely mounted in the control box.

## 5. Connect the Control Box

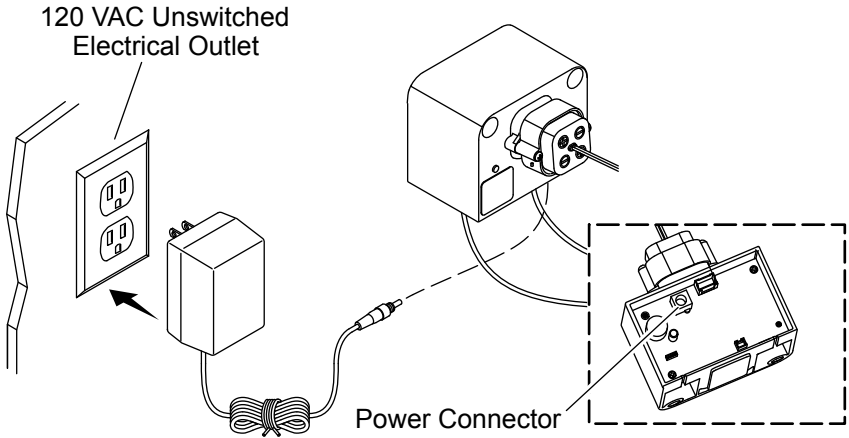
---



- Connect the sensor cable and solenoid valve cable.
- Verify that the cables are not tangled with the pull-down hose and that the pull-down hose moves smoothly.

## 6. Install the AC Power Supply (Optional)

---



**NOTICE:** If your faucet will be powered with batteries, refer to the “Install the Batteries” section.

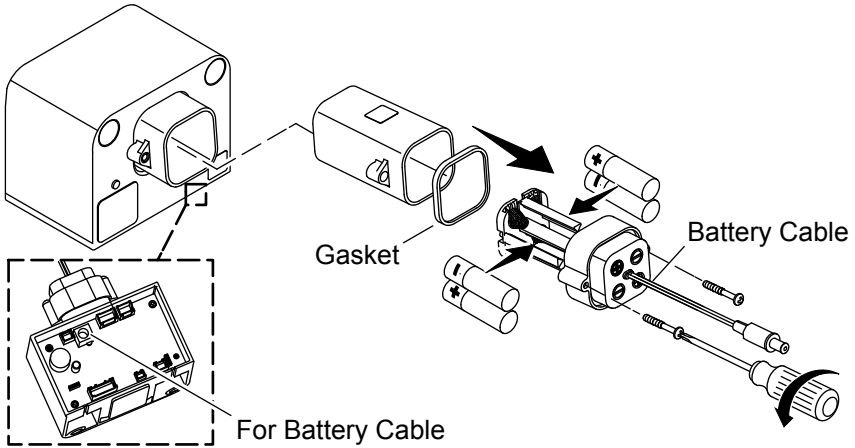
**IMPORTANT!** Do not use a switch-controlled electrical outlet (typically used for garbage disposals) to provide power to the faucet.

**NOTICE:** When selecting a location for the electrical outlet, verify that the power supply cord will reach the power connector on the control box.

- Install a constant unswitched 120 VAC electrical outlet within reach of the control box.
- Plug the AC power supply into the electrical outlet.
- Connect the power supply cord to the power connector on the control box.
- Secure any extra cords under the counter.

## 7. Install the Batteries

---



**CAUTION:** Risk of property damage. Do not use lithium ion batteries with this product. Exposing lithium ion batteries to water can result in a fire.

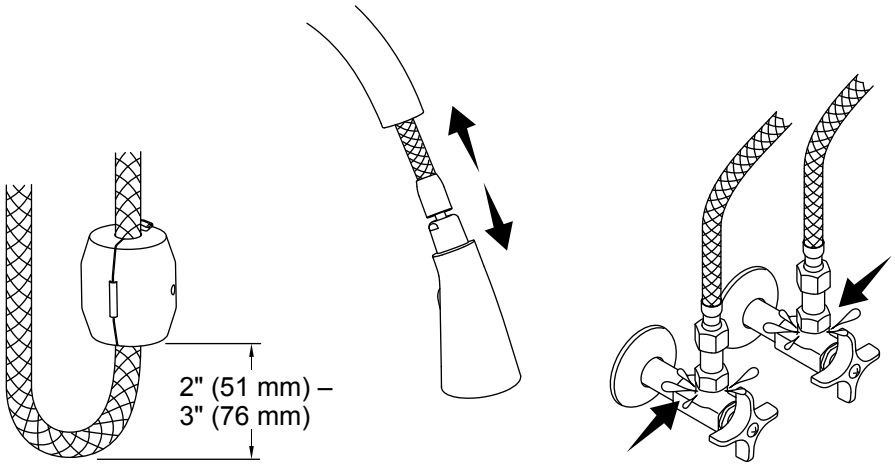
**IMPORTANT!** Do not use rechargeable or lithium ion batteries.

**IMPORTANT!** Do not mix old and new batteries.

- Loosen the two screws to remove the battery box cover.
- Insert four AA batteries in the correct orientation in the battery box.
- Verify that the gasket is present.
- Reinstall the cover.
- Place the battery box into the slot in the control box.
- Connect the battery cable to the power connector on the control box.
- For Battery Replacement:** Verify that the sensor override on the control box has not been activated. Refer to the “Sensor Override” section.

## 8. Complete the Installation

---



### Position the Weight

**NOTE:** Verify that the pull-down hose weight will not interfere with the valve box or wire connections.

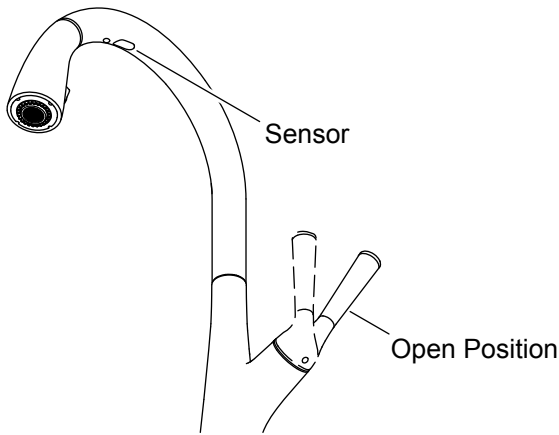
- Position the weight on the pull-down hose as shown and squeeze to connect the clasp.
- Extend and retract the pull-down hose to check for smooth operation.
- Adjust the location of the weight as necessary.

### Check for Leaks

- Verify that all connections are tight.
- Turn ON the water supplies.
- Check all connections for leaks.
- Test the faucet for proper operation. Refer to the "Faucet Operation" section.

# Faucet Operation

---



**NOTE:** For extended periods of nonuse, return the handle to the closed (upright) position.

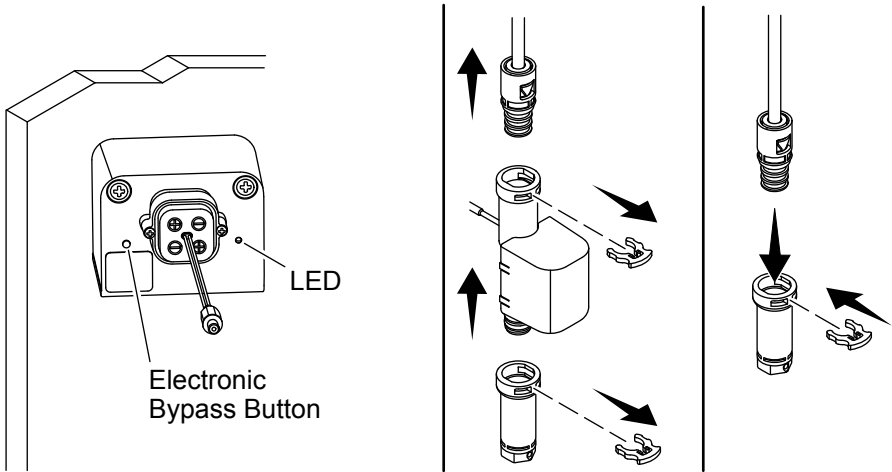
- Rotate the handle outward to the open position to start water flow.
- Adjust the handle to the desired water temperature.
- Wave your hand under the sensor to turn OFF the water.
- Wave your hand under the sensor again to restart the water flow.

## Features

- Automatic shut-off:** After 4 minutes of inactivity, the water will automatically shut OFF.
- Low battery LED:** The red LED will flash every 3 seconds to indicate low power. Faucet will remain operational. When the red LED flashes continuously, power is unavailable and faucet is not operational.

# Sensor Override

---



## Electronic Bypass

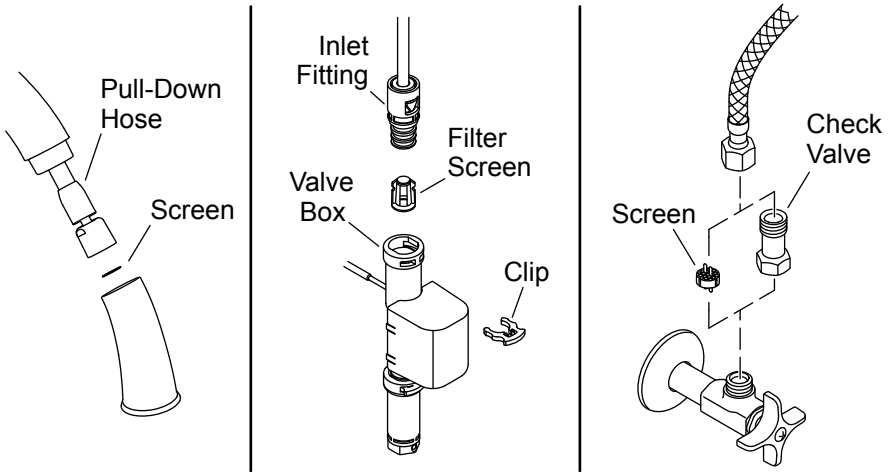
- To electronically bypass the solenoid valve, push the bypass button. The red light should flash 3 times. The faucet can now be used manually and the sensor will be disabled.
- To exit the electronic bypass, push the button again, the light will flash 6 times. The sensor is now active, verify that the handle is open to use touchless mode.

## Manual Bypass

- The solenoid valve can be bypassed if the solenoid valve fails to operate properly and cannot be electronically bypassed.
- Turn OFF the water and open the handle to relieve the water pressure.
- Remove the clips as shown.
- Disconnect the solenoid valve.
- Connect the fittings together with one of the clips that were removed.
- The faucet can now be used manually.
- Reconnect the solenoid valve by following these steps in reverse.

# Cleaning the Screens

---



**NOTE:** The supply screen may be located inside the supply hose or inside the check valve (if present).

## Sprayhead Screen

- Turn the handle to the closed position.
- Disconnect the sprayhead from the nut at the end of the pull-down hose.
- Remove and clean the screen inside the sprayhead.
- Reinsert the screen and reconnect the sprayhead.

## Valve Box Inlet Screen

- Turn the handle to the closed position.
- Disconnect the valve box from the outlet tube.
- Remove the clip from the inlet fitting.
- Remove and clean the inlet screen.
- Reinstall the inlet screen and inlet fitting to the valve box.
- Push the inlet fitting onto the outlet tube until a click is heard.

## Supply Screen



- Turn OFF the water supplies.
- Disconnect the supply hose from the supply stop.
- Clean the screen inside the hose inlet or inside the check valve (if present).
- Reconnect the supply hose to the supply stop.
- Turn ON the water supplies.

# Troubleshooting

---



**CAUTION: Risk of product damage.** This product contains sensitive electronic components. Use care not to damage pins and connectors during troubleshooting.

This troubleshooting guide is for general aid only. For service and installation issues or concerns, call 1-800-4KOHLER.

## Faucet Troubleshooting

Symptoms	Probable Cause	Recommended Action
1. No water flow.	<ul style="list-style-type: none"><li>A. The supply stops are closed.</li><li>B. The handle is in the closed position.</li><li>C. One or more hoses are kinked.</li><li>D. Battery power is low or exhausted.</li><li>E. One or more screens are clogged.</li></ul>	<ul style="list-style-type: none"><li>A. Open the supply stops.</li><li>B. Rotate the handle to the open position. Refer to the "Faucet Operation" section.</li><li>C. Adjust the hoses as needed to remove any kinks. If coiled, maintain an inside diameter of 3" (76 mm).</li><li>D. Replace the batteries. Refer to the "Install the Batteries" section.</li><li>E. Clean the screens. Refer to the "Cleaning the Screens" section.</li></ul>
2. Low water flow.	<ul style="list-style-type: none"><li>A. The supply stops are partially closed.</li><li>B. The handle is partially closed.</li><li>C. One or more hoses are kinked or twisted.</li><li>D. One or more screens or filters are clogged.</li><li>E. Cracked diaphragm.</li></ul>	<ul style="list-style-type: none"><li>A. Fully open the supply stops.</li><li>B. Rotate the handle to the full open position.</li><li>C. Adjust the hoses as needed to remove any kinks. If coiled, maintain an inside diameter of 3" (76 mm).</li><li>D. Clean the screens or filters. Refer to the "Cleaning the Screens" section.</li><li>E. Replace the valve box assembly.</li></ul>

Symptoms	Probable Cause	Recommended Action
3. Poor spray pattern.	A. The spray nozzles are clogged.	A. Rub your finger over the nozzles with water running to dislodge debris.
4. Sensor not working.	A. No electrical power. B. Low battery. C. System in electronic bypass mode. D. Handle is closed.	A. Verify that electrical power is turned ON. B. Check the batteries. C. Press the bypass button. Look for the light to flash 6 times. D. Open the handle.

### Valve Box Troubleshooting

Symptoms	Probable Cause	Recommended Action
1. Water leaks from the valve box.	A. Hose connections are not secure. B. Internal leak.	A. <b>CAUTION: Risk of personal injury or product damage.</b> Turn OFF the main power and water supply. Check all connections. Make adjustments as needed. B. Replace the valve box.
2. No audible "click" when the valve is activated.	A. Loose valve box wire connection. B. Valve is not functioning.	A. Check the valve box wire connection. B. Replace the valve box.

### Sensor Troubleshooting

Symptoms	Probable Cause	Recommended Action
1. Intermittent sensor operation.	A. Debris on the sensor lens. B. Sensor is detecting steam. C. Hand motion is too fast.	A. Use mild soap and water to gently remove debris from the sensor lens. B. Rotate the spout away from the steam. C. Hold hand under the sensor longer to allow detection.

# Compliance

---

This device complies with Part 15 of the FCC Rules. Operation is subject to the following two conditions: (1) this device may not cause harmful interference, and (2) this device must accept any interference received, including interference that may cause undesired operation.

Changes or modifications not expressly approved by the party responsible for compliance could void the user's authority to operate the equipment.

This equipment has been tested and found to comply with the limits for a Class B digital device, pursuant to Part 15 of the FCC Rules. These limits are designed to provide reasonable protection against harmful interference in a residential installation. This equipment generates, uses, and can radiate radio frequency energy and, if not installed and used in accordance with the instructions, may cause harmful interference to radio communications. However, there is no guarantee that interference will not occur in a particular installation. If this equipment does cause harmful interference to radio or television reception, which can be determined by turning the equipment off and on, the user is encouraged to try to correct the interference by one of the following measures:

- Reorient or relocate the receiving antenna.
- Increase the separation between the equipment and receiver.
- Connect the equipment into an outlet on a circuit different from that to which the receiver is connected.
- Consult the dealer or an experienced radio/TV technician for help.

This Class B digital apparatus complies with Canadian ICES-003.

# Instructions d'installation

## Robinet de cuisine sans contact

### Merci d'avoir choisi KOHLER

---

Besoin d'aide? Appeler notre centre de services à la clientèle.

- USA/Canada : 1-800-4KOHLER (1-800-456-4537) Mexique : 001-800-456-4537
- Pièces d'entretien : [kohler.com/serviceparts](http://kohler.com/serviceparts)
- Entretien et nettoyage : [kohler.com/clean](http://kohler.com/clean)
- Brevets : [kohlercompany.com/patents](http://kohlercompany.com/patents)





### Garantie


---


Ce produit est couvert sous la **garantie limitée de cinq ans des commandes, vannes et robinets électroniques KOHLER®**, fournie sur le site [kohler.com/warranty](http://kohler.com/warranty). Pour obtenir une copie imprimée des termes de la garantie, s'adresser au centre de services à la clientèle.


### Renseignements importants

---

-  **AVERTISSEMENT : Lors de l'utilisation de produits électriques, toujours observer les mesures de précaution de base, dont les suivantes :**
-  **DANGER : Risque de choc électrique.** Uniquement connecter à un circuit protégé par un disjoncteur de fuite de terre (GFCI)\*.
-  **AVERTISSEMENT : Risque de choc électrique.** Une mise à la terre est requise. Un électricien qualifié devrait effectuer toutes les connexions électriques.
-  **AVERTISSEMENT : Risque de choc électrique.** Débrancher l'alimentation électrique avant un entretien.

 **AVERTISSEMENT : Risque de blessures ou de dommages matériels.** Lire toutes les instructions avec attention avant de commencer l'installation.

 **ATTENTION : Risque de contamination de l'eau douce.** Ce robinet comprend une protection contre le siphonnement à rebours. Afin d'éviter une contamination d'eau, ne pas retirer des composants internes.

 **ATTENTION : Risque d'endommagement du produit.** Ce produit contient des composants électroniques sensibles. Ne pas stocker des récipients de produits chimiques ou de nettoyage ouverts à proximité de ce produit. Les chiffons ou éponges de nettoyage doivent être rincés avec de l'eau douce avant le stockage.

**IMPORTANT!** Ne pas utiliser de prise de courant commandée par interrupteur (généralement utilisée pour les broyeurs de déchets) pour fournir une alimentation au robinet.

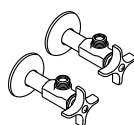
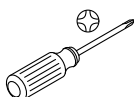
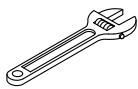
Respecter tous les codes locaux en ce qui concerne l'électricité, la plomberie et le bâtiment.

Si une alimentation électrique optionnelle est installée, fournir une prise électrique de 120 V c.a. non commutée à portée de main.

\*Hors de l'Amérique du Nord, ce dispositif peut être connu sous le nom de dispositif à courant résiduel (RCD).

## Outils et matériel

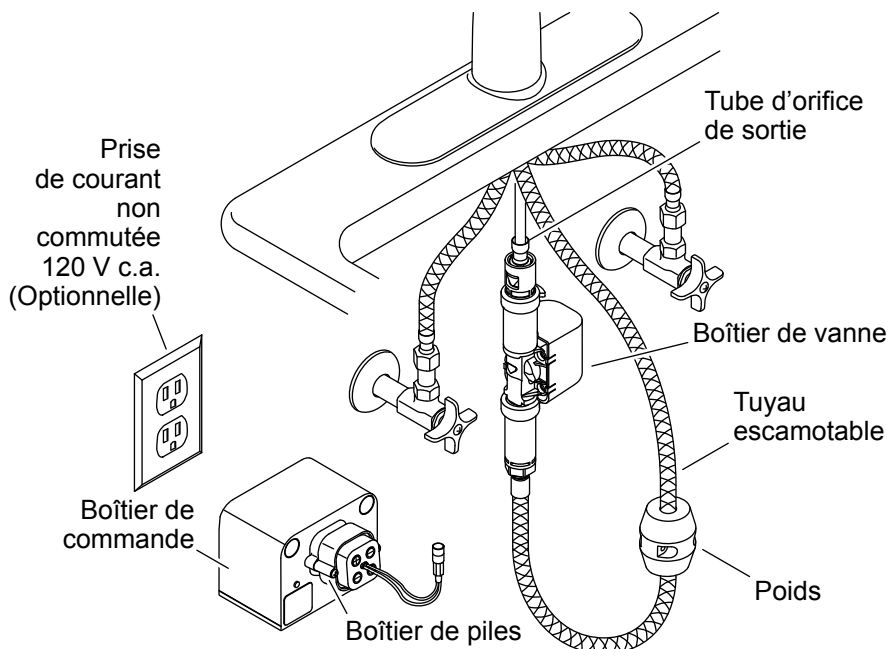
---



3/8 po

### Optionnel :

- Prise électrique non commutée 120 V c.a.
- Support en contreplaqué

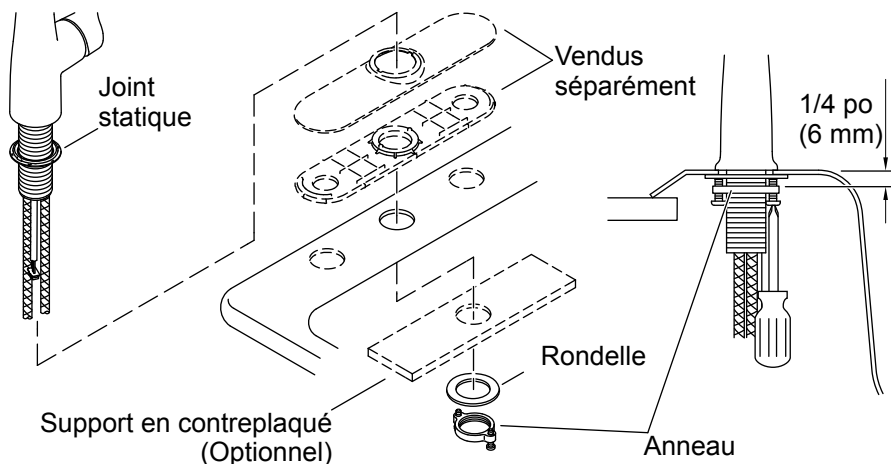


**ATTENTION : Risque de limitation de débit d'eau et d'endommagement du produit.** Les tuyaux d'alimentation et le tuyau escamotable ne doivent pas être tendus, déformés ou tordus pendant l'installation.

**REMARQUE :** Laisser un dégagement adéquat pour l'entretien.

- Avant d'installer le robinet, vérifier que la zone sous le l'évier peut recevoir tous les composants requis.
- Si une alimentation électrique optionnelle est installée, vérifier qu'une prise électrique de 120 V c.a. non commutée est à portée de main.
- Couper les alimentations en eau.

# 1. Installer le robinet



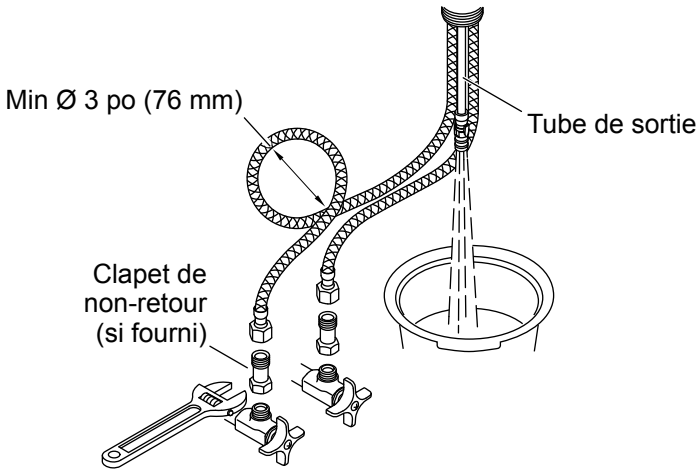
**REMARQUE :** L'orientation de la poignée est conçue pour se trouver sur la droite.

**REMARQUE :** Pour les éviers en acier inoxydable à calibre fin, considérer installer un support en contreplaqué de 1/2 po (13 mm) (non fourni) entre la rondelle et l'évier.

- Installer le joint d'étanchéité sur le robinet avec le côté mousse tourné vers le bas.
- Pour les éviers à trois trous :** Placer la rosace et le sous-couvercle (vendus séparément) sur les trous du robinet. Insérer le robinet, avec la poignée sur la droite, à travers la rosace et la surface de fixation.
- Pour les éviers à un trou :** Insérer le robinet à travers la surface de fixation avec la poignée sur la droite.
- Enfiler partiellement les vis dans l'anneau jusqu'à ce qu'elles se prolongent de 1/4 po (6 mm) vers l'extérieur du côté opposé.
- Glisser la rondelle et l'anneau par-dessus les tuyaux et les fils, et vers le haut de la tige.
- Visser l'anneau sur la tige jusqu'à ce que la rondelle entre en contact avec le dessous de l'évier.
- Ajuster l'anneau de manière à aligner les vis sur l'avant et l'arrière du robinet.
- Serrer solidement les vis.



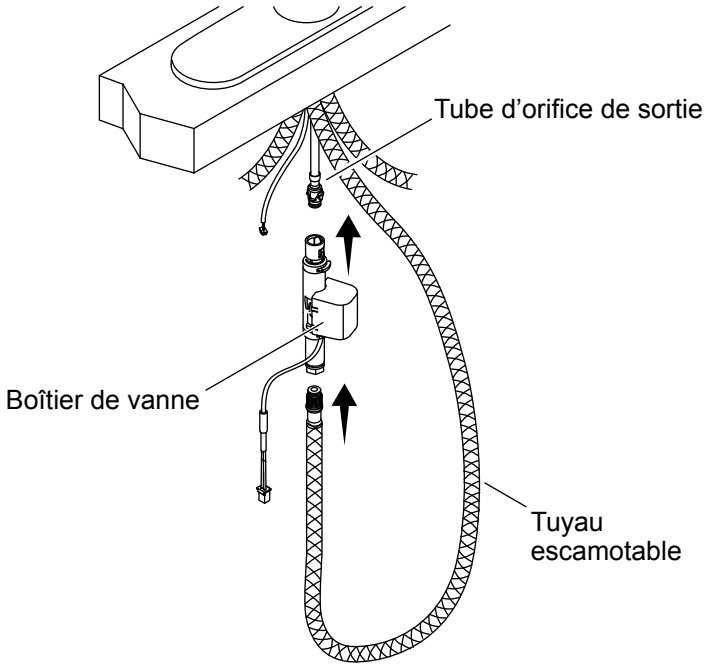
## 2. Connecter les tuyaux d'alimentation



**ATTENTION : Risque de limitation de débit d'eau et d'endommagement du produit.** Les tuyaux d'alimentation ne doivent pas être tendus, déformés ou tordus. Si les tuyaux d'alimentation doivent être embobinés, maintenir un diamètre intérieur de 3 po (76 mm).

- S'ils sont fournis, installer les clapets de non-retour entre les tuyaux d'alimentation et les robinets d'arrêt d'alimentation.
- Connecter et serrer les tuyaux d'alimentation sur les robinets d'alimentation.
- Placer un seau sous le tuyau de l'orifice de sortie.
- Ouvrir les alimentations en eau.
- Purger l'eau chaude et froide pendant 1 minute pour éliminer les débris.
- Couper les alimentations en eau.

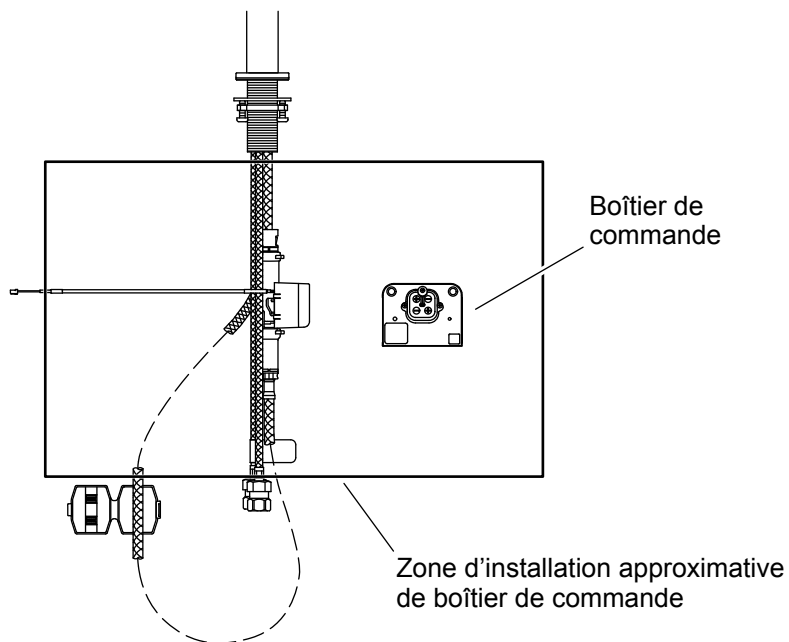
### 3. Installer le boîtier de la vanne



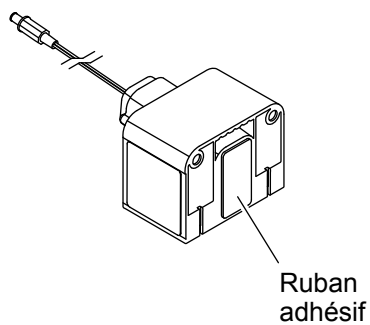
**ATTENTION : Risque de limitation de débit d'eau et d'endommagement du produit.** Le tuyau escamotable ne doit pas être tendu, déformé ou tordu pendant l'installation.

- Serrer le tuyau escamotable à la main dans le boîtier de la vanne.
- Enfoncer le raccord de l'orifice d'entrée du boîtier de la vanne sur le tube de l'orifice de sortie jusqu'à ce qu'un clic soit entendu.

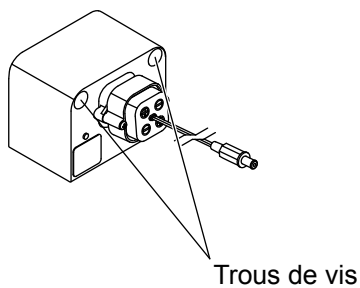
## 4. Installer le boîtier de commande



Option 1

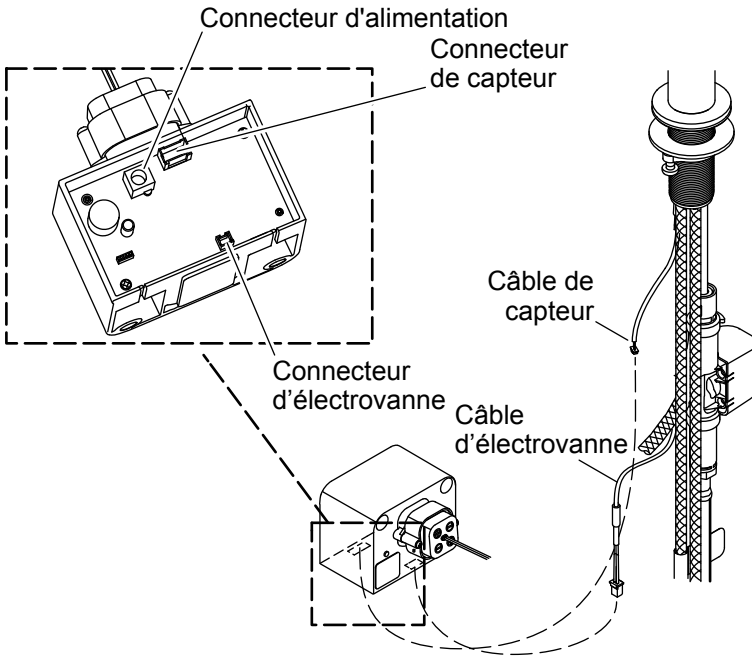


Option 2



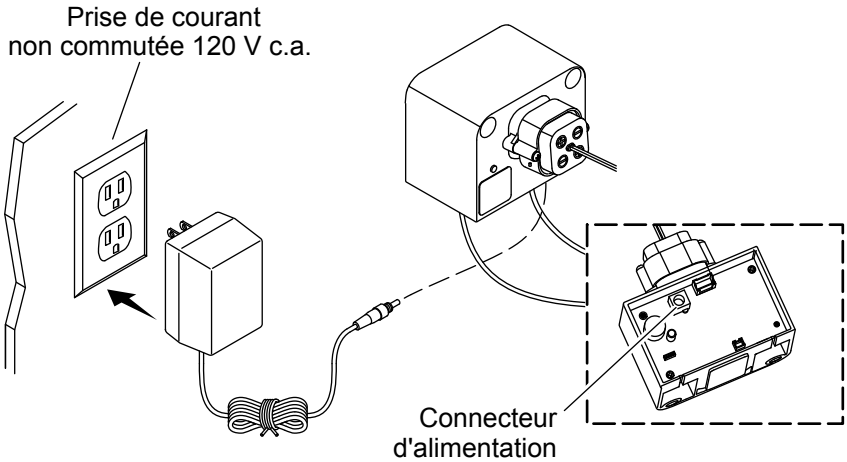
- Attacher le boîtier de commande sur le mur sur l'arrière du meuble.
- Avant de monter le boîtier de commande, vérifier que l'emplacement permet au câble du capteur et au câble de l'électrovanne d'être connectés.
- Marquer l'emplacement du boîtier de commande sur le mur et déterminer quelle est la meilleure option de fixation :
- Option 1 : Utiliser du ruban adhésif pour attacher le boîtier de commande sur le mur.
- Option 2 : Utiliser les deux vis fournies pour fixer le boîtier de commande sur le mur.
- Vérifier que le boîtier de commande est de niveau et que le boîtier de piles reste solidement fixé dans le boîtier de commande.

## 5. Connecter le boîtier de commande



- Connecter le câble du capteur et le câble de l'électrovanne.
- Vérifier que les câbles ne sont pas emmêlés avec le tuyau escamotable et que ce dernier se déplace facilement.

## 6. Installer l'alimentation électrique c.a. (optionnel)



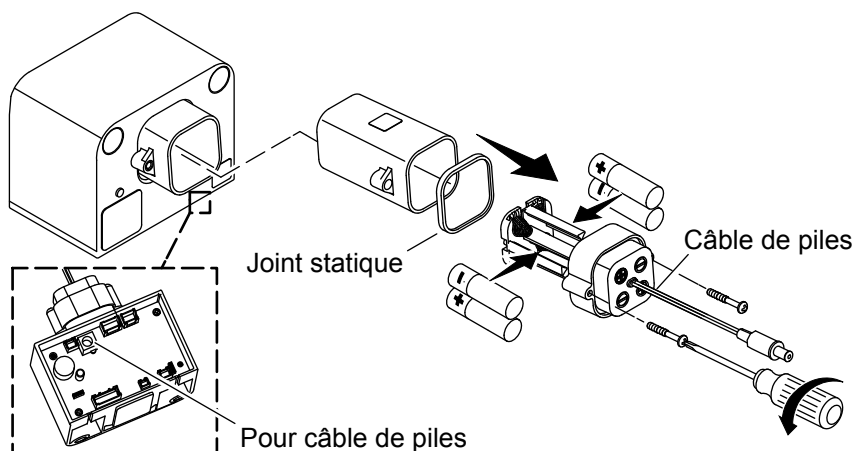
**AVIS :** Si le robinet est alimenté par des piles, se reporter à la section « Installer les piles ».

**IMPORTANT!** Ne pas utiliser de prise de courant commandée par interrupteur (généralement utilisée pour les broyeurs de déchets) pour fournir une alimentation au robinet.

**AVIS :** Lors de la sélection d'un emplacement pour la prise électrique, vérifier que le cordon d'alimentation électrique atteindra le cordon d'alimentation sur le boîtier de commande.

- Installer une prise de courant électrique de 120 V c.a. continu, non commutée, à portée de main du boîtier de commande.
- Brancher l'alimentation électrique c.a. sur la prise électrique.
- Connecter le cordon d'alimentation électrique au connecteur d'alimentation sur le boîtier de commande.
- Sécuriser tous les cordons supplémentaires sous le comptoir.

## 7. Installer les piles



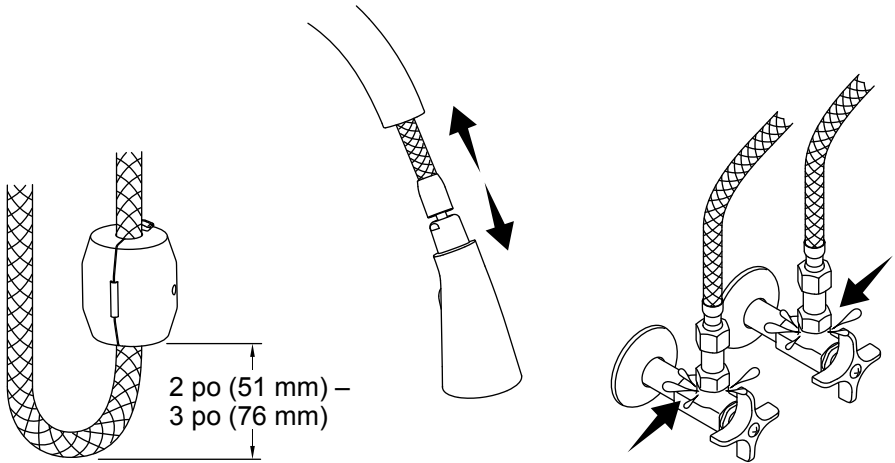
**ATTENTION : Risque d'endommagement du produit.** Ne pas utiliser des piles au lithium-ion avec ce produit. L'exposition de piles au lithium-ion à l'eau peut entraîner un incendie.

**IMPORTANT!** Ne pas utiliser des piles rechargeables ou au lithium-ion.

**IMPORTANT!** Ne pas mélanger des piles anciennes et neuves.

- Desserrer les deux vis pour retirer le couvercle du boîtier de piles.
- Insérer quatre piles AA dans l'orientation correcte dans le boîtier de piles.
- Vérifier que le joint d'étanchéité est présent.
- Réinstaller le couvercle.
- Mettre le boîtier de piles dans la fente dans le boîtier de commande.
- Connecter le câble des piles au connecteur d'alimentation sur le boîtier de commande.
- Pour le remplacement des piles :** Vérifier que le surpassement du capteur se trouvant sur le boîtier de commande n'a pas été activé. Se reporter à la section « Surpassement du capteur ».

## 8. Terminer l'installation



### Positionner le poids

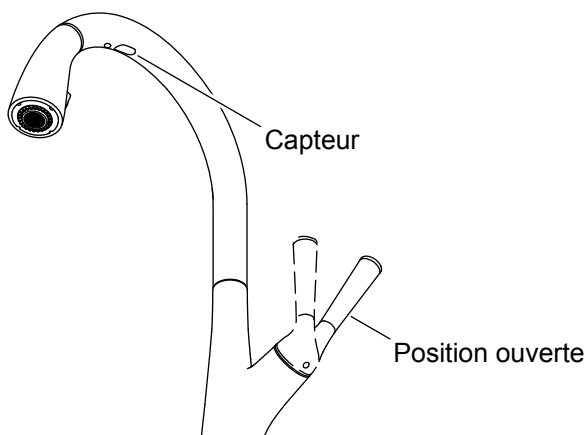
**REMARQUE :** Vérifier que le poids du tuyau escamotable n'interfère pas avec le boîtier de la vanne ou les connexions de fils.

- Positionner le poids se trouvant sur le tuyau escamotable comme sur l'illustration et comprimer pour connecter le fermoir.
- Étendre et rétracter le tuyau escamotable pour vérifier le bon fonctionnement.
- Ajuster l'emplacement du poids au besoin.

### Rechercher des fuites éventuelles

- Vérifier que toutes les connexions sont bien serrées.
- Ouvrir les alimentations en eau.
- Inspecter toutes les connexions pour y rechercher des fuites éventuelles.
- Tester le robinet pour assurer qu'il fonctionne correctement. Se reporter à la section « Fonctionnement du robinet ».





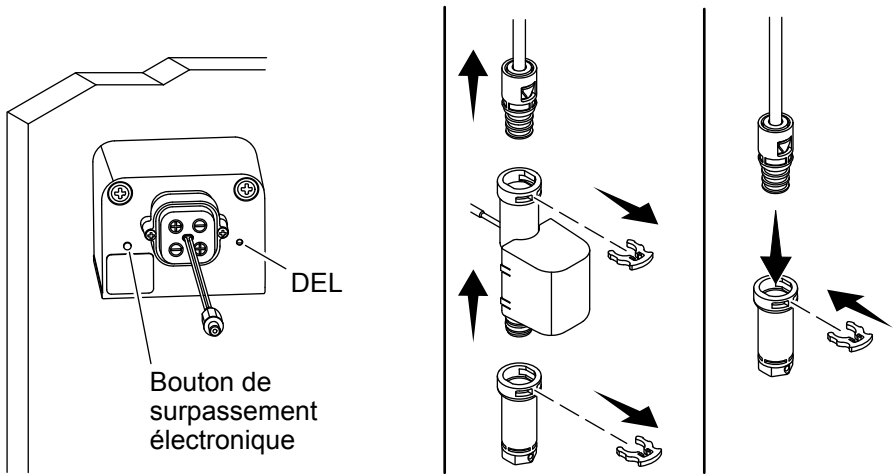
**REMARQUE :** Lors de périodes prolongées de non utilisation, remettre la poignée à la position fermée (verticale).

- Tourner la poignée vers l'extérieur en position ouverte pour démarrer l'écoulement d'eau.
- Ajuster la poignée à la température d'eau souhaitée.
- Agiter la main sous le capteur pour couper l'eau.
- Agiter de nouveau la main sous le capteur pour redémarrer l'écoulement d'eau.

## Fonctionnalités

- Arrêt automatique :** Au bout de 4 minutes d'inactivité, l'eau s'arrête automatiquement.
- DEL de piles faibles :** La DEL rouge clignotera toutes les 3 secondes pour indiquer une faible puissance. Le robinet continuera à fonctionner. Lorsque la DEL rouge clignote continuellement, l'alimentation n'est pas disponible et le robinet ne fonctionne pas.

## Surpassement du capteur :



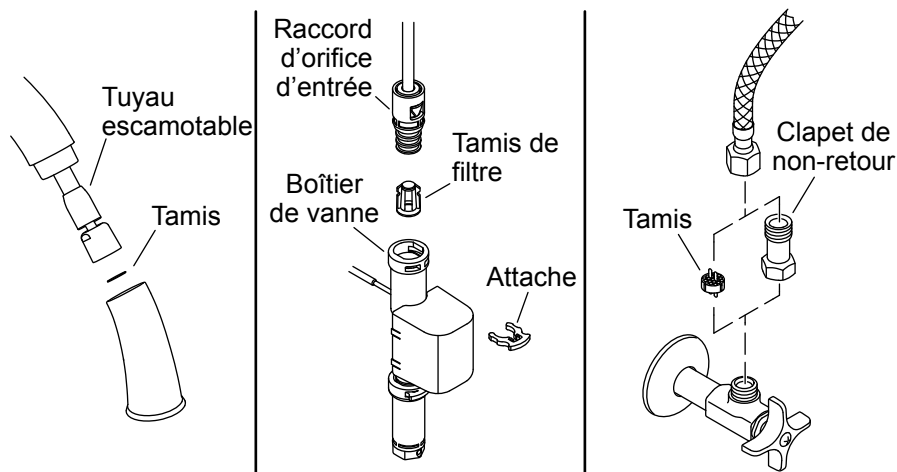
### Surpassement électronique

- Pour effectuer un surpassement électronique de l'électrovanne, appuyer sur le bouton de surpassement. Le voyant rouge devrait clignoter 3 fois. Le robinet peut désormais être utilisé manuellement et le capteur sera désactivé.
- Pour quitter le surpassement électronique, réappuyer sur le bouton et le voyant clignotera 6 fois. Le capteur est désormais activé. Vérifier que la poignée est ouverte pour utiliser le mode sans contact.

### Surpassement manuel

- Il est possible d'effectuer un surpassement manuel de l'électrovanne si celle-ci ne fonctionne pas correctement et s'il n'est pas possible d'effectuer un surpassement électronique.
- Couper l'eau et tourner la poignée pour relâcher la pression d'eau.
- Retirer les attaches comme sur l'illustration.
- Déconnecter l'électrovanne.
- Connecter les raccords entre eux avec l'une des agrafes qui a été retirée.
- Le robinet peut désormais être utilisé manuellement.
- Reconnecter l'électrovanne en suivant ces étapes dans le sens inverse.

# Nettoyage des tamis



**REMARQUE :** Le tamis de l'alimentation pourrait se trouver à l'intérieur du tuyau d'alimentation ou à l'intérieur du clapet de non-retour (si présent).

## Tamis de tête de pulvérisateur

- Tourner la poignée en position fermée.
- Déconnecter la tête de pulvérisation de l'écrou à l'extrémité du tuyau escamotable.
- Retirer et nettoyer le tamis à l'intérieur de la tête du pulvérisateur.
- Réinsérer le tamis et reconnecter la tête du pulvérisateur.

## Tamis de l'orifice d'entrée du boîtier de la vanne

- Tourner la poignée en position fermée.
- Déconnecter le boîtier de la vanne du tube de l'orifice de sortie.
- Retirer l'attache du raccord de l'orifice d'entrée.
- Retirer et nettoyer le tamis de l'orifice d'entrée.
- Réinstaller le tamis de l'orifice d'entrée et le raccord de l'orifice d'entrée sur le boîtier de la vanne.
- Enfoncer le raccord de l'orifice d'entrée sur le tube de l'orifice de sortie, jusqu'à ce qu'un clic soit entendu.

**Tamis d'alimentation**

- Couper les alimentations en eau.
- Déconnecter le tuyau d'alimentation du robinet d'arrêt d'alimentation.
- Nettoyer le tamis à l'intérieur de l'orifice d'entrée du tuyau ou à l'intérieur du clapet de non-retour (si présent).
- Reconnecter le tuyau d'alimentation au robinet d'arrêt d'alimentation.
- Ouvrir les alimentations en eau.



**ATTENTION : Risque d'endommagement du produit.** Ce produit contient des composants électroniques sensibles. Procéder avec soin afin d'éviter d'endommager les goupilles et les connecteurs pendant le dépannage.

Ce guide de dépannage est seulement destiné à fournir une aide d'ordre général. Pour des problèmes ou questions concernant l'entretien et l'installation, composer le 1-800-4KOHLER.

## Dépannage du robinet

Symptômes	Cause probable	Action recommandée
1. Pas d'écoulement d'eau.	<p><b>A.</b> Les robinets d'arrêt d'alimentation sont fermés.</p> <p><b>B.</b> La poignée est en position fermée.</p> <p><b>C.</b> Un ou plusieurs tuyaux sont déformés.</p> <p><b>D.</b> L'alimentation par piles est faible ou épuisée.</p> <p><b>E.</b> Un ou plusieurs tamis sont bouchés.</p>	<p><b>A.</b> Ouvrir les robinets d'arrêt d'arrivée.</p> <p><b>B.</b> Tourner la poignée en position ouverte. Se reporter à la section « Fonctionnement du robinet ».</p> <p><b>C.</b> Ajuster les tuyaux au besoin afin d'éliminer toutes les déformations. S'ils sont enroulés, maintenir un diamètre intérieur de 3 po (76 mm).</p> <p><b>D.</b> Remplacer les piles. Se reporter à la section « Installer les piles ».</p> <p><b>E.</b> Nettoyer les tamis. Se reporter à la section « Nettoyer les tamis ».</p>

Symptômes	Cause probable	Action recommandée
2. Débit d'eau bas.	<p><b>A.</b> Les robinets d'arrêt d'alimentation sont fermés partiellement.</p> <p><b>B.</b> La poignée est fermée partiellement.</p> <p><b>C.</b> Un ou plusieurs tuyaux sont déformés ou vrillés.</p> <p><b>D.</b> Un ou plusieurs tamis ou filtres sont bouchés.</p> <p><b>E.</b> Diaphragme craquelé.</p>	<p><b>A.</b> Ouvrir complètement les robinets d'arrêt d'arrivée.</p> <p><b>B.</b> Tourner la poignée en position entièrement ouverte.</p> <p><b>C.</b> Ajuster les tuyaux au besoin pour éliminer toutes les déformations. S'ils sont enroulés, maintenir un diamètre intérieur de 3 po (76 mm).</p> <p><b>D.</b> Nettoyer les tamis ou les filtres. Se reporter à la section « Nettoyer les tamis ».</p> <p><b>E.</b> Remplacer l'ensemble du boîtier de vanne.</p>
3. Mauvais schéma de pulvérisation.	<p><b>A.</b> Les buses de pulvérisation sont bouchées.</p>	<p><b>A.</b> Frotter le doigt par-dessus les buses en faisant couler de l'eau pour déloger les débris.</p>
4. Le capteur ne fonctionne pas.	<p><b>A.</b> Pas d'alimentation électrique.</p> <p><b>B.</b> Batterie faible.</p> <p><b>C.</b> Le système est en mode de surpassement électronique.</p> <p><b>D.</b> La poignée est fermée.</p>	<p><b>A.</b> Vérifier que l'alimentation électrique est en marche.</p> <p><b>B.</b> Vérifier les piles.</p> <p><b>C.</b> Appuyer sur le bouton de surpassement. Vérifier si le voyant clignote 6 fois.</p> <p><b>D.</b> Ouvrir la poignée.</p>

## Dépannage du boîtier de la vanne

Symptômes	Cause probable	Action recommandée
1. Fuites d'eau en provenance du boîtier de la vanne.	<p><b>A.</b> Les raccords de tuyaux ne sont pas sécurisés.</p> <p><b>B.</b> Fuite interne.</p>	<p><b>A. ATTENTION : Risque de blessures ou d'endommagement du produit.</b> Couper l'alimentation électrique principale et l'alimentation en eau. Inspecter toutes les connexions. Effectuer des ajustements au besoin.</p> <p><b>B.</b> Remplacer le boîtier de la vanne.</p>
2. Aucun « clic » audible lors de l'activation de la vanne.	<p><b>A.</b> Connexion de fils du boîtier de la vanne desserrée.</p> <p><b>B.</b> La vanne ne fonctionne pas.</p>	<p><b>A.</b> Vérifier la connexion des fils du boîtier de la vanne.</p> <p><b>B.</b> Remplacer le boîtier de la vanne.</p>

## Dépannage de capteur

Symptômes	Cause probable	Action recommandée
1. Fonctionnement intermittent du capteur.	<p><b>A.</b> Débris sur la lentille du capteur.</p> <p><b>B.</b> Le capteur détecte de la vapeur.</p> <p><b>C.</b> Le mouvement de la main est trop rapide.</p>	<p><b>A.</b> Utiliser du savon doux et de l'eau pour doucement retirer les débris de la lentille du capteur.</p> <p><b>B.</b> Tourner le bec pour l'éloigner de la vapeur.</p> <p><b>C.</b> Tenir la main sous le capteur plus longtemps pour permettre une détection.</p>

## Conformité

Ce dispositif est conforme à la section 15 des réglementations de la FCC. L'utilisation est assujettie aux deux conditions suivantes : (1) ce dispositif ne peut pas créer un brouillage nuisible, et (2) ce dispositif doit accepter tous les brouillages captés, y compris les brouillages qui pourraient créer un fonctionnement non souhaité.

Tous changements ou modifications non expressément approuvés par la partie responsable garantissant la conformité pourraient annuler le droit à l'utilisateur d'opérer cet équipement.

Cet équipement a été testé et a été considéré être conforme aux limitations pour un dispositif numérique de classe B, selon la section 15 des réglementations FCC. Ces limites sont conçues pour fournir une protection raisonnable contre tout brouillage nuisible dans une installation résidentielle. Ce dispositif génère, utilise et peut émettre une énergie de radiofréquence et, s'il n'est pas installé et utilisé conformément aux instructions, pourrait créer des brouillages nuisibles aux communications par radio. Cependant, il n'est pas garanti qu'aucun brouillage n'aura lieu dans une installation particulière. Si cet équipement cause des brouillages radio nuisibles à la réception de radio ou de télévision, ce qui peut être déterminé en éteignant l'équipement et en le rallumant, l'utilisateur est encouragé à essayer de rectifier ce brouillage par l'un des moyens suivants :

- Réorienter ou changer l'emplacement de l'antenne de réception.
- Augmenter la séparation entre l'équipement et le récepteur.
- Brancher l'équipement sur une prise d'un circuit différent de celui auquel le récepteur est connecté.
- Consulter le concessionnaire ou un technicien radio/TV expérimenté pour obtenir de l'assistance.

Cet appareillage numérique de classe B est conforme à la norme canadienne ICES-003.



# Instrucciones de instalación

## Grifería sin contacto de cocina

### Gracias por elegir productos KOHLER

---

¿Necesita ayuda? Comuníquese con nuestro Centro de Atención al Cliente.

- EE. UU./Canadá: 1-800-4KOHLER (1-800-456-4537) México: 001-800-456-4537
- **Piezas de repuesto:** [kohler.com/serviceparts](http://kohler.com/serviceparts)
- **Cuidado y limpieza:** [kohler.com/clean](http://kohler.com/clean)
- **Patentes:** [kohlercompany.com/patents](http://kohlercompany.com/patents)





### Garantía

---

A este producto lo cubre la **garantía limitada de cinco años para griferías, válvulas y controles electrónicos de KOHLER®**, que puede consultarse en [kohler.com/warranty](http://kohler.com/warranty). Comuníquese con el Centro de Atención al Cliente para obtener una copia impresa de los términos de la garantía.

### Información importante

---

-  **AVISO:** Al usar aparatos eléctricos siempre cumpla las precauciones básicas, como las siguientes:
-  **PELIGRO:** Riesgo de sufrir sacudidas eléctricas. Solo conecte a un circuito protegido por un interruptor de circuito con pérdida a tierra (GFCI)\*.
-  **AVISO:** Riesgo de sufrir sacudidas eléctricas. Se requiere conexión a tierra. Todas las conexiones eléctricas debe hacerlas un electricista capacitado.
-  **AVISO:** Riesgo de sufrir sacudidas eléctricas. Desconecte el suministro eléctrico antes de dar servicio.



**AVISO: Riesgo de sufrir lesiones u ocasionar daños materiales.** Antes de comenzar la instalación, lea con atención todas las instrucciones.



**PRECAUCIÓN: Riesgo de contaminación del agua potable.** Esta grifería cuenta con protección contrasifonaje. Para evitar contaminar el agua, no retire ningún componente interno.



**PRECAUCIÓN: Riesgo de daños al producto.** Este producto tiene componentes electrónicos sensibles. No almacene cerca de este producto recipientes abiertos de productos químicos o de limpieza. Las esponjas y los trapos de limpieza se deben enjuagar con agua limpia antes de guardarlos.

**¡IMPORTANTE!** No utilice un tomacorriente controlado por interruptor (típicamente para trituradores de desperdicios de alimentos) para el suministro eléctrico a la grifería.

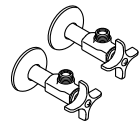
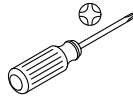
Cumpla todos los códigos locales de plomería, construcción y eléctricos.

Si se instala el suministro eléctrico opcional, instale al alcance un tomacorriente de 120 VCA no controlado por interruptor.

\*Fuera de Norteamérica es posible que este se conozca como dispositivo de corriente residual (RCD).

## Herramientas y materiales

---

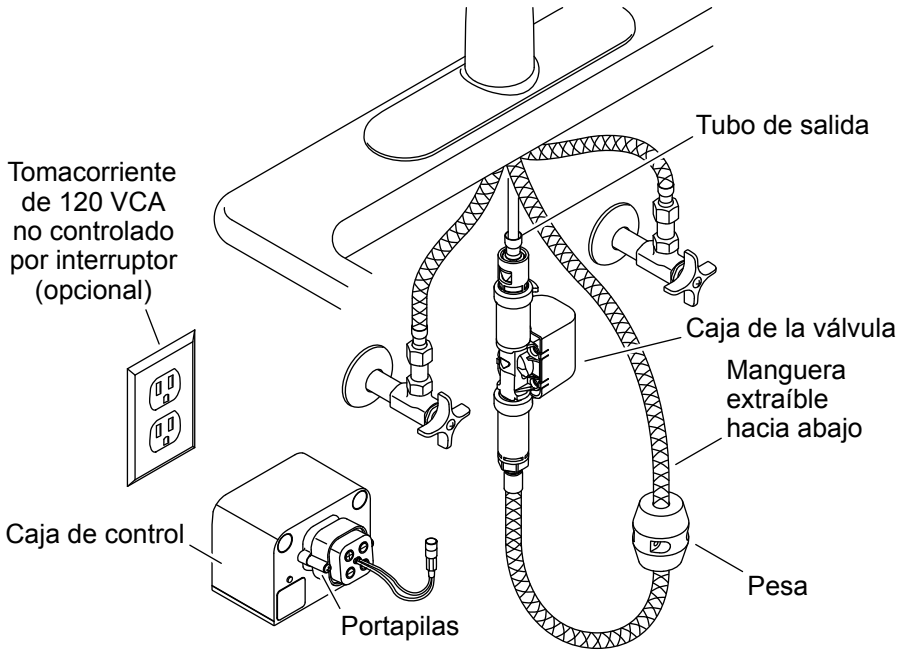


3/8 pulg

### Opcional:

- Tomacorriente no controlado por interruptor de 120 VCA
- Soporte de madera

## Antes de comenzar



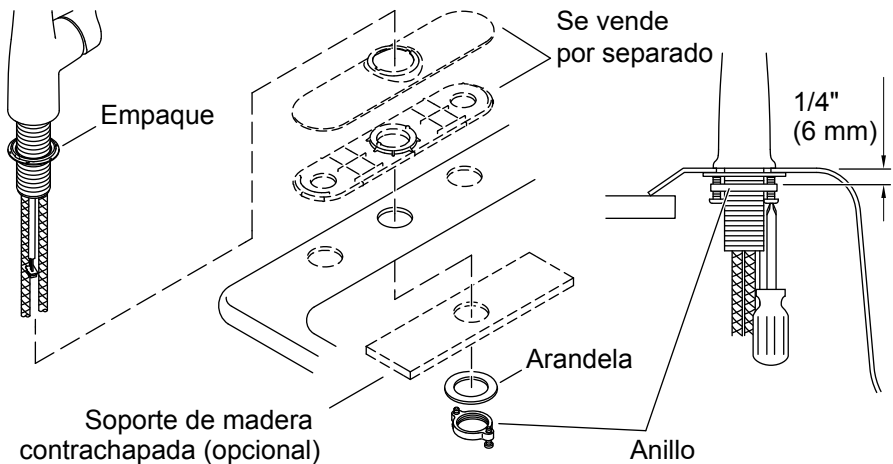
E  
S

**⚠ PRECAUCIÓN: Riesgo de restricción del flujo de agua y de ocasionar daños al producto.** Las mangueras de suministro y la manguera extraíble hacia abajo no deben quedar tensas, pellizcadas ni torcidas al instalarlas.

**NOTA:** Deje espacio libre adecuado para dar servicio.

- Antes de instalar la grifería, verifique que haya lugar bajo el fregadero para todos los componentes necesarios.
- Si se instala el suministro eléctrico opcional, verifique que haya al alcance un tomacorriente de 120 VCA no controlado por interruptor.
- Cierre los suministros de agua.

# 1. Instale la grifería

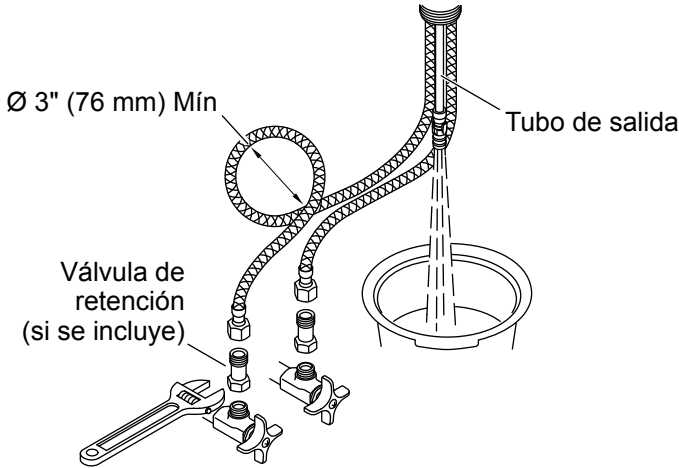


**NOTA:** La manija está diseñada para quedar del lado derecho.

**NOTA:** En fregaderos de acero inoxidable de calibre delgado, considere instalar un soporte de madera contrachapada de 1/2" (13 mm) (no se incluye) entre la arandela y el fregadero.

- Instale el empaque en la grifería, con el lado con espuma plástica hacia abajo.
- En fregaderos con 3 orificios:** Coloque el chapetón y la placa inferior (se venden por separado) sobre los orificios para la grifería. Introduzca la grifería a través del chapetón y de la superficie de montaje, con la manija hacia la derecha.
- En fregaderos con un solo orificio:** Introduzca la grifería a través de la superficie de montaje, con la manija hacia la derecha.
- Enrosque parcialmente los tornillos en el anillo, hasta que sobresalgan 1/4" (6 mm) por el lado opuesto.
- Deslice la arandela y el anillo sobre las mangueras y los cables, y hacia arriba al vástago.
- Enrosque el anillo en el vástago hasta que la arandela haga contacto con la cara inferior del fregadero.
- Ajuste el anillo para alinear los tornillos con la parte delantera y posterior de la grifería.
- Apriete bien los tornillos.

## 2. Conecte las mangueras de suministro

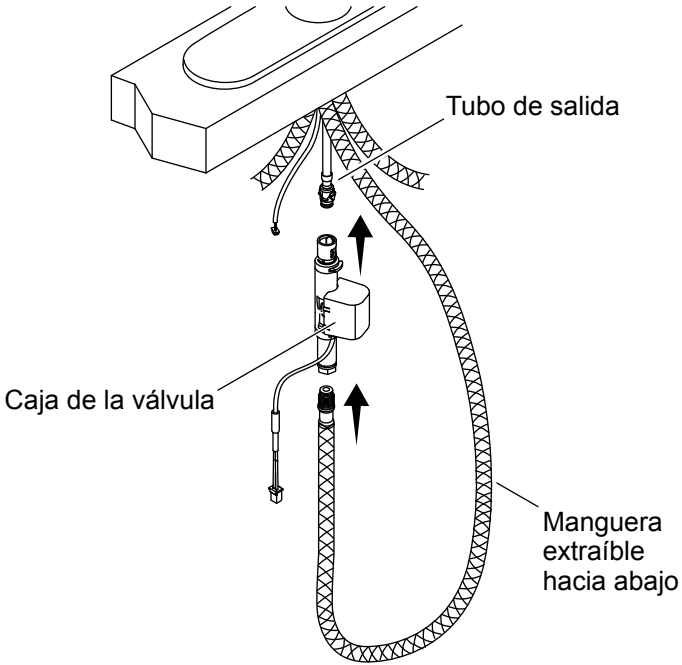


**PRECAUCIÓN: Riesgo de restricción del flujo de agua y de ocasionar daños al producto.** Las mangueras de suministro no deben quedar tensas, pellizcadas ni torcidas. Si debe enrollar las mangueras de suministro, mantenga un diámetro interior de 3" (76 mm).

- Instale las válvulas de retención entre las mangueras de suministro y las llaves de paso de suministro.
- Conecte y apriete las mangueras de suministro a las llaves de paso de suministro.
- Coloque un recipiente bajo la manguera de salida.
- Abra los suministros de agua.
- Deje correr agua caliente y fría durante 1 minuto para que salgan todos los residuos.
- Cierre los suministros de agua.

### 3. Instale la caja de la válvula

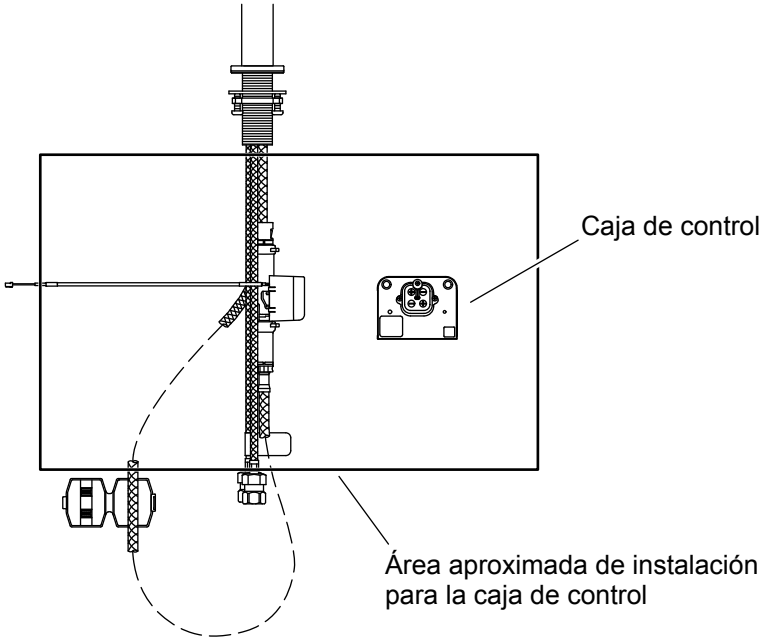
ES



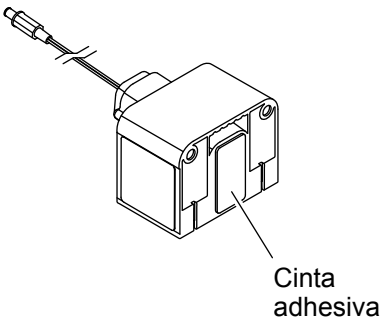
**PRECAUCIÓN: Riesgo de restricción del flujo de agua y de ocasionar daños al producto.** La manguera extraíble hacia abajo no debe quedar tensa, pellizcada ni torcida al instalarla.

- Apriete a mano la manguera extraíble hacia abajo en la caja de la válvula.
- Empuje el conector de entrada de la caja de la válvula en el tubo de salida hasta que se escuche un chasquido.

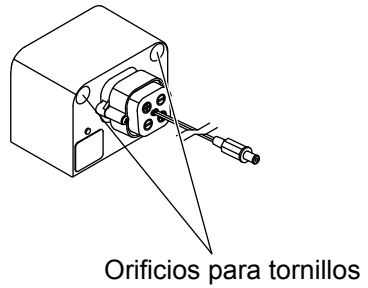
## 4. Instale la caja de control



### Opción 1



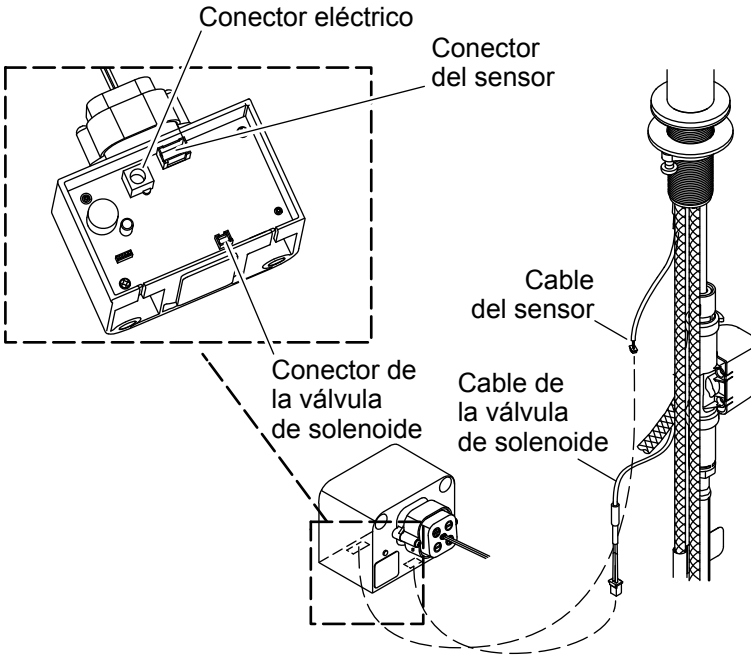
### Opción 2



- Instale la caja de control en la pared en la parte posterior del gabinete.
- Antes de instalar la caja de control, verifique que ese lugar permita conectar el cable del sensor y el cable de la válvula de solenoide.
- Manque el lugar para la caja de control en la pared, y determine la mejor opción de instalación:
- Opción 1: Pegue la caja de control a la pared con cinta adhesiva.
- Opción 2: Fije la caja de control a la pared con los 3 tornillos que se incluyen.
- Verifique que la caja de control quede nivelada, y que el portapilas permanezca instalado con firmeza en la caja de control.



## 5. Conecte la caja de control

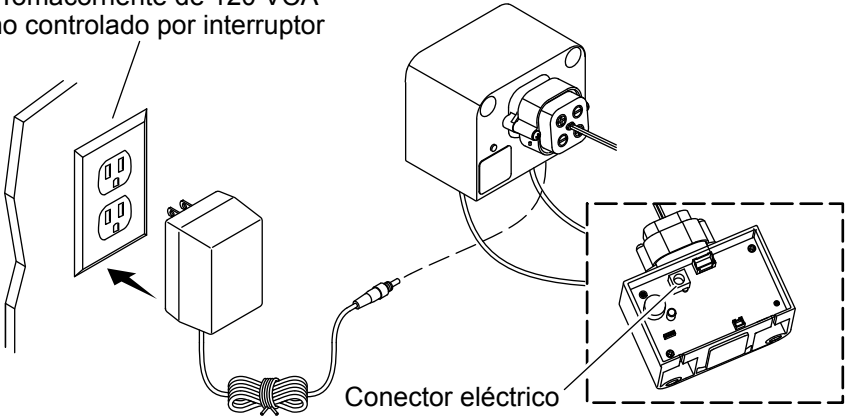


- Conecte el cable del sensor y el cable de la válvula de solenoide.
- Verifique que los cables no se enreden con la manguera extraíble hacia abajo, y que esta se mueva sin dificultades.

## 6. Instale la fuente de suministro de CA (opcional)

E  
S

Tomacorriente de 120 VCA  
no controlado por interruptor



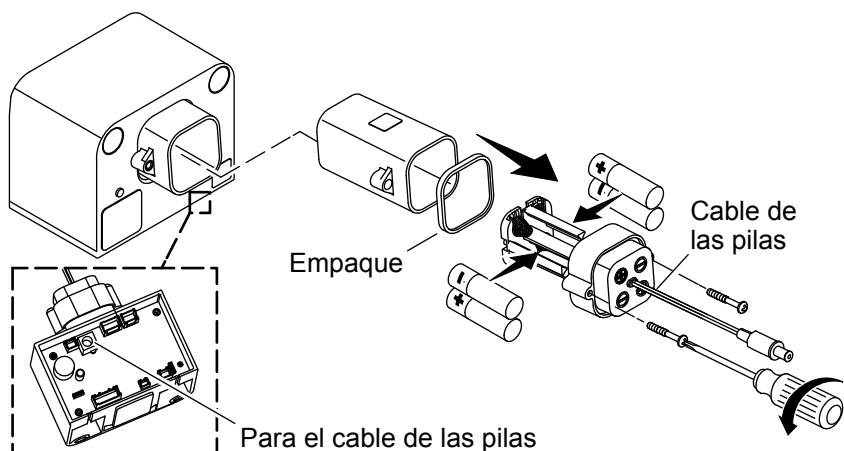
**AVISO:** Si su grifería va a funcionar con pilas, consulte la sección “Instale las pilas”.

**¡IMPORTANTE!** No utilice un tomacorriente controlado por interruptor (típicamente para trituradores de desperdicios de alimentos) para el suministro eléctrico a la grifería.

**AVISO:** Al elegir un lugar para el tomacorriente, verifique que el cable de suministro eléctrico llegue al conector de corriente en la caja de control.

- Instale un tomacorriente constante no conmutado de 120 VCA cerca de la caja de control.
- Enchufe el suministro eléctrico de CA al tomacorriente.
- Conecte el cable de suministro eléctrico al conector de corriente en la caja de control.
- Fije todos los cables adicionales bajo la encimera.

## 7. Instale las pilas



**⚠ PRECAUCIÓN: Riesgo de ocasionar daños a la propiedad.** No use pilas de iones de litio con este producto. Exponer pilas de iones de litio al agua puede ocasionar un incendio.

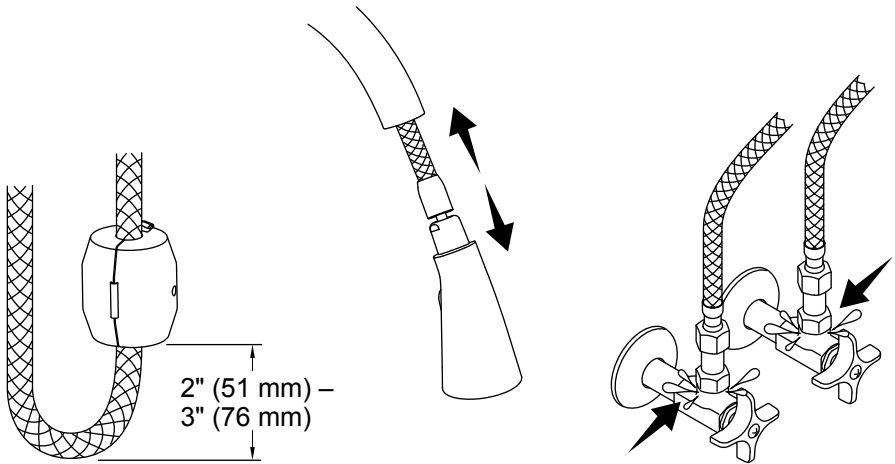
**¡IMPORTANTE!** No use pilas recargables ni de iones de litio.

**¡IMPORTANTE!** No mezcle pilas nuevas con pilas usadas.

- Afloje los 2 tornillos para sacar la cubierta del portapilas.
- Introduzca 4 pilas AA en la orientación correcta en el portapilas.
- Verifique que el empaque esté en su lugar.
- Vuelva a instalar la cubierta.
- Coloque el portapilas en el espacio vacío dentro de la caja de control.
- Conecte el cable de las pilas al conector de corriente en la caja de control.
- Cambio de pilas:** Verifique que la anulación del sensor en la caja de control no haya sido activada. Consulte la sección "Anulación del sensor".

## 8. Complete la instalación

ES



### Coloque la pesa

**NOTA:** Verifique que la pesa de la manguera extraíble hacia abajo no interfiera con la caja de la válvula ni con las conexiones de cables.

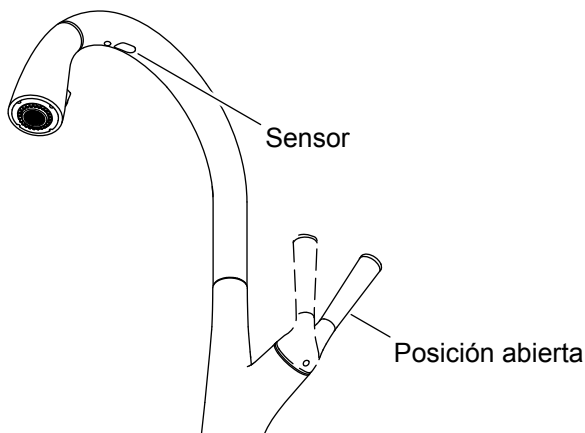
- Coloque la pesa en la manguera extraíble hacia abajo como se indica, y apriete para conectar la cerradura.
- Tire de la manguera extraíble hacia abajo y retraícala, para verificar que funcione sin dificultades.
- Ajuste la posición de la pesa, según sea necesario.

### Verifique que no haya fugas

- Verifique que todas las conexiones estén apretadas.
- Abra los suministros de agua.
- Revise que no haya fugas en ninguna de las conexiones.
- Compruebe que la grifería funcione correctamente. Consulte la sección "Funcionamiento de la grifería".

# Funcionamiento de la grifería

---



**NOTA:** Durante periodos prolongados sin uso, vuelva a colocar la manija en la posición cerrada (vertical).

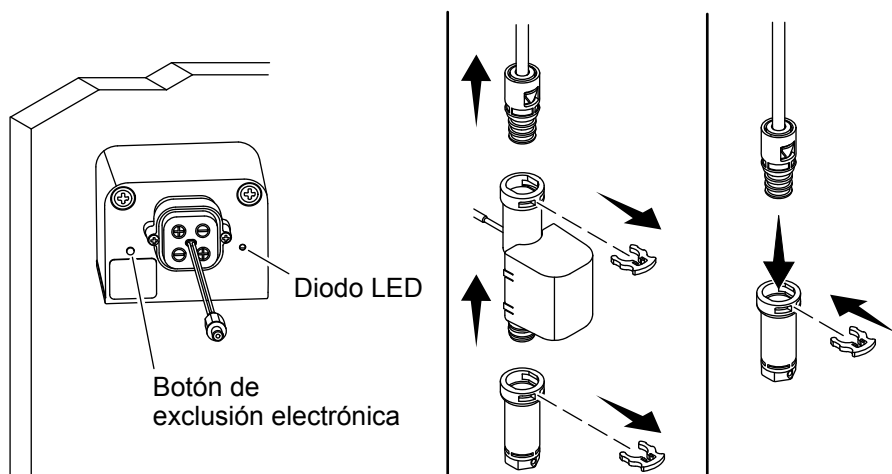
- Gire la manija hacia fuera, a la posición abierta, para iniciar el flujo de agua.
- Ajuste la manija a la temperatura de agua deseada.
- Pase la mano bajo el sensor para cerrar el flujo de agua (OFF).
- Pase la mano de nuevo bajo el sensor para volver a iniciar el flujo de agua.

## Características

- Cierre automático:** Después de 4 minutos de inactividad, el flujo de agua se cierra automáticamente.
- Diodo emisor de luz (LED) indicador de pilas bajas:** El diodo emisor de luz (LED) rojo parpadea cada 3 segundos para indicar bajo suministro eléctrico. La grifería sigue pudiendo funcionar. Cuando el diodo emisor de luz (LED) rojo parpadea continuamente, ya no hay suministro eléctrico y la grifería deja de funcionar.

# Anulación del sensor

ES



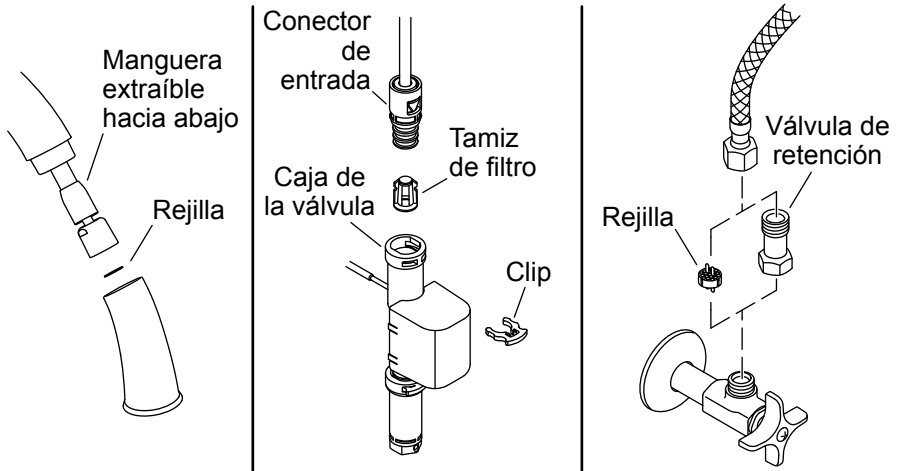
## Exclusión electrónica

- Para excluir electrónicamente la válvula de solenoide, empuje el botón de exclusión. La luz roja debe parpadear 3 veces. La grifería puede ahora usarse manualmente y el sensor queda inhabilitado.
- Para salir de la exclusión electrónica, empuje de nuevo el botón y la luz parpadeará 6 veces. El sensor está ahora activo; verifique que la manija esté abierta para usar el modo sin contacto.

## Exclusión manual

- La válvula de solenoide puede excluirse manualmente si esta deja de funcionar correctamente y no puede ser excluida electrónicamente.
- Cierre el suministro de agua y abra la manija para liberar la presión del agua.
- Retire los clips, como se indica.
- Desconecte el la válvula de solenoide.
- Conecte los conectores con uno de los clips que retiró.
- Ahora se puede usar la grifería manualmente.
- Vuelva a conectar la válvula de solenoide siguiendo estos pasos a la inversa.

# Limpieza de las rejillas



**NOTA:** La rejilla de suministro puede estar ubicada dentro de la manguera de suministro o dentro de la válvula de retención (si existe).

## Rejilla de la cabeza del rociador

- Gire la manija a la posición cerrada.
- Desconecte la cabeza del rociador de la tuerca en el extremo de la manguera extraíble hacia abajo.
- Retire la rejilla del interior de la cabeza del rociador, y límpiela.
- Vuelva a introducir la rejilla y a conectar la cabeza del rociador.

## Rejilla de la entrada a la caja de la válvula

- Gire la manija a la posición cerrada.
- Desconecte la caja de la válvula del tubo de salida.
- Retire el clip del conector de entrada.
- Retire la rejilla de la entrada, y límpiela.
- Vuelva a instalar la rejilla de la entrada y el conector de entrada en la caja de la válvula.
- Empuje el conector de entrada en el tubo de salida hasta que se escuche un chasquido.

## Rejilla de suministro

- Cierre los suministros de agua.
- Desconecte la manguera de suministro de la llave de paso de suministro.
- Limpie la rejilla dentro de la entrada a la manguera o dentro de la válvula de retención (si está presente).
- Vuelva a conectar la manguera de suministro a la llave de paso de suministro.
- Abra los suministros de agua.



# Resolución de problemas



**PRECAUCIÓN: Riesgo de daños al producto.** Este producto tiene componentes electrónicos sensibles. Tenga cuidado de no dañar las clavijas ni los conectores al resolver problemas.

E  
S

Esta guía de resolución de problemas está diseñada únicamente como ayuda general. Si tiene preguntas acerca de servicio e instalación, llame al 1-800-4KOHLER.

## Resolución de problemas de la grifería

Síntomas	Causa probable	Acción recomendada
1. No hay flujo de agua.	<ul style="list-style-type: none"><li>A. Las llaves de paso están cerradas.</li><li>B. La manija está en la posición cerrada.</li><li>C. Hay una o más mangueras dobladas.</li><li>D. Las pilas están bajas o descargadas.</li><li>E. Por lo menos una rejilla está tapada.</li></ul>	<ul style="list-style-type: none"><li>A. Abra las llaves de paso.</li><li>B. Gire la manija a la posición abierta. Consulte la sección "Funcionamiento de la grifería".</li><li>C. Ajuste las mangueras lo necesario para eliminar los dobleces en las mangueras. Si enrolla las mangueras, mantenga un diámetro interior de 3" (76 mm).</li><li>D. Cambie las pilas. Consulte la sección "Instale las pilas".</li><li>E. Limpie las rejillas. Consulte la sección "Limpieza de rejillas".</li></ul>

<b>Síntomas</b>	<b>Causa probable</b>	<b>Acción recomendada</b>
<p><b>2.</b> Poco flujo de agua.</p>	<p><b>A.</b> Las llaves de paso de suministro están parcialmente cerradas.</p> <p><b>B.</b> La manija está parcialmente cerrada.</p> <p><b>C.</b> Hay una o más mangueras dobladas o torcidas.</p> <p><b>D.</b> Por lo menos una rejilla o por lo menos un filtro está tapado.</p> <p><b>E.</b> Diafragma con fisuras.</p>	<p><b>A.</b> Abra por completo las llaves de paso de suministro.</p> <p><b>B.</b> Gire la manija a la posición completamente abierta.</p> <p><b>C.</b> Ajuste las mangueras lo necesario para eliminar los dobleces en las mangueras. Si enrolla las mangueras, mantenga un diámetro interior de 3" (76 mm).</p> <p><b>D.</b> Limpie las rejillas o los filtros. Consulte la sección "Limpieza de rejillas".</p> <p><b>E.</b> Cambie el ensamblaje de la caja de la válvula.</p>
<p><b>3.</b> Mal patrón de rocío.</p>	<p><b>A.</b> Las boquillas del rociador están tapadas.</p>	<p><b>A.</b> Para eliminar las partículas residuales, frote el dedo sobre las boquillas con agua que esté fluyendo.</p>
<p><b>4.</b> El sensor no está funcionando.</p>	<p><b>A.</b> No hay suministro eléctrico.</p> <p><b>B.</b> Pilas con carga baja.</p> <p><b>C.</b> El sistema está en el modo de exclusión electrónica.</p> <p><b>D.</b> La manija está cerrada.</p>	<p><b>A.</b> Verifique que haya suministro eléctrico.</p> <p><b>B.</b> Revise las pilas.</p> <p><b>C.</b> Oprima el botón de exclusión. Fíjese que la luz parpadee 6 veces.</p> <p><b>D.</b> Abra la manija.</p>

### Resolución de problemas de la caja de la válvula

Síntomas	Causa probable	Acción recomendada
1. Se fuga agua de la caja de la válvula.	<p><b>A.</b> Las conexiones de mangueras no están fijas.</p> <p><b>B.</b> Fuga interna.</p>	<p><b>A. PRECAUCIÓN: Riesgo de sufrir lesiones personales o de ocasionar daños al producto.</b> Desconecte la energía eléctrica principal, y cierre el suministro de agua. Revise todas las conexiones. Haga los ajustes necesarios.</p> <p><b>B.</b> Cambie la caja de la válvula.</p>
2. No se escucha un “chasquido” cuando se activa la válvula.	<p><b>A.</b> La conexión del cable de la caja de la válvula está suelta.</p> <p><b>B.</b> La válvula no está funcionando.</p>	<p><b>A.</b> Revise la conexión del cable de la caja de la válvula.</p> <p><b>B.</b> Cambie la caja de la válvula.</p>

### Resolución de problemas del sensor

Síntomas	Causa probable	Acción recomendada
1. Funcionamiento intermitente del sensor.	<p><b>A.</b> Suciedad en la lente del sensor.</p> <p><b>B.</b> El sensor detecta vapor.</p> <p><b>C.</b> La mano se mueve demasiado rápido.</p>	<p><b>A.</b> Elimine con cuidado la suciedad de la lente del sensor con una solución ligera de agua y jabón.</p> <p><b>B.</b> Gire el surtidor para alejarlo del vapor.</p> <p><b>C.</b> Mantenga la mano bajo el sensor un poco más para que sea detectada.</p>

## Conformidad

---

Este dispositivo cumple lo establecido en la sección 15 de las normas de la FCC. Su funcionamiento está sujeto a las siguientes 2 condiciones: (1) que este dispositivo no cause interferencia perjudicial y (2) que acepte cualquier interferencia, incluida la que pueda causar funcionamiento no deseado.

Cualquier modificación o cambio sin aprobación expresa de la parte responsable del cumplimiento podría invalidar el derecho del usuario a utilizar el equipo.

Este equipo ha sido probado, y se ha encontrado que satisface los límites de un aparato digital Clase B, de acuerdo a la sección 15 de las normas de la FCC. Estos límites están diseñados para ofrecer protección razonable contra interferencia perjudicial en una instalación residencial. Este equipo genera, usa y puede radiar energía de radiofrecuencia y, si no se instala y utiliza en cumplimiento de las instrucciones, puede causar interferencia perjudicial a las comunicaciones de radio. Sin embargo, no se garantiza que la interferencia no pudiera ocurrir en una instalación en particular. Si este equipo causa interferencia perjudicial a la recepción de radio o televisión, lo que se puede determinar al encender y apagar el equipo, se le recomienda al usuario que trate de corregir la interferencia mediante una de las siguientes medidas:

- Cambiar la orientación o el lugar de la antena receptora.
- Aumentar la separación entre el equipo y el receptor.
- Conectar el equipo a un tomacorriente en un circuito diferente al que utiliza el receptor.
- Consultar al distribuidor o a un técnico con experiencia en radio y televisión, para obtener ayuda.

Este aparato digital Clase B cumple la norma canadiense ICES-003.







[kohler.com](https://www.kohler.com)

THE BOLD LOOK  
OF **KOHLER**®

©2024 Kohler Co.



1562954-2

**1562954-2-B**