

# sprig

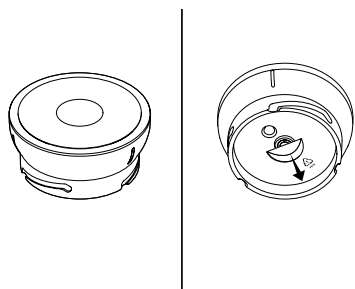
## USING THE INFUSION POD

**NOTE:** It is normal for water to drain from the back of the infusion device as pressure releases.

**NOTE:** The infusion time lasts between 1-1/2 and 2 minutes. The aromatherapy of the infusion can last beyond the shower experience.

**NOTE:** The blend is safe for hair and face application.

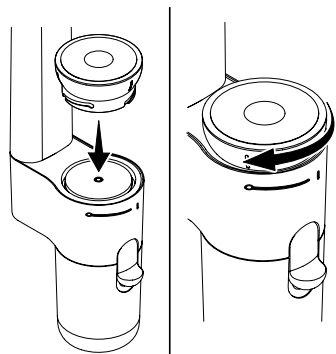
1



### Select an infusion pod

- Select the desired blend.
- Remove the foil on the bottom of the infusion pod.

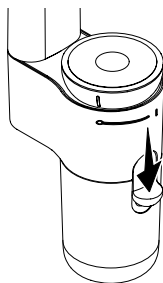
2



### Install the infusion pod

- Align the lines of the pod and the infusion device.
- Find the groove, and rotate the pod clockwise until the pod locks into place and the top of the pod pops open.

3

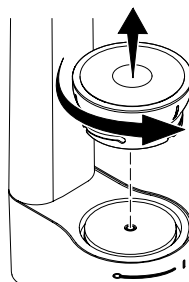


### Activate the experience

**NOTE:** The pod can be activated anytime during the shower experience.

- Turn ON the water at the desired temperature.
- Press down on the button once to activate the pod.

4

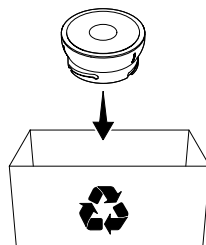


### Release, reseal, reuse

**NOTE:** Do not refill the pods. Pods are not designed to be refilled.

- Rotate the pod counter-clockwise to release.
- Press the top of the pod until the pod clicks to reseal.
- Multisession pods can be stored for future use or left in the infusion device for the next shower.

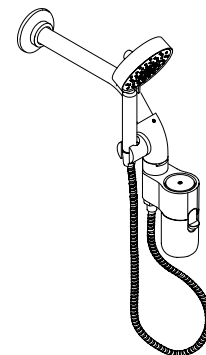
5



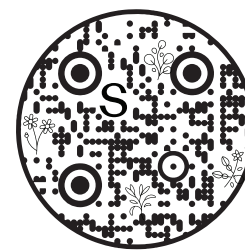
### Recycle

**NOTE:** A small amount of blend may be left in an empty pod. The pod can still be recycled.

- Remove and discard the center plunger on the pod. Deposit the pod into the recycling bin.
- Follow all local recycling protocols.



## INSTALLATION INSTRUCTIONS



sprig  
BY KOHLER

# sprig

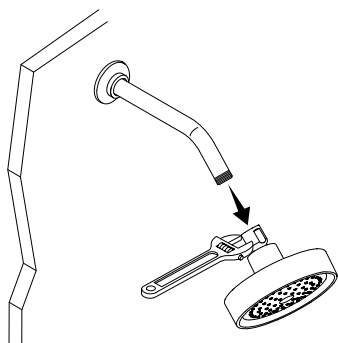


**⚠ CAUTION: Risk of personal injury.** Verify that the shower arm is adequately supported before installing the infusion device.

**NOTICE:** Choose an automatic compensating valve with the appropriate minimum flow rating to ensure safety at the lowest flow rates. Plumbing codes require approved backflow prevention devices to be installed in-line to handshowers.

Cover the drain with a towel to avoid losing small parts. Follow all local plumbing and building codes.

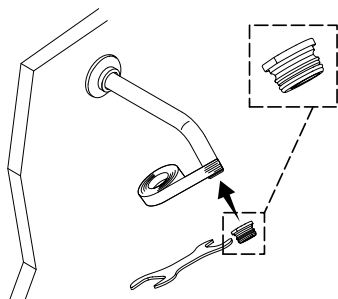
1



- Using an adjustable wrench, remove the showerhead.

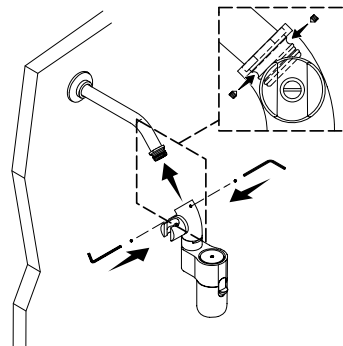
**NOTE:** Verify that there is 6-1/2" (165 mm) of clearance from the shower arm outlet to the ceiling.

2



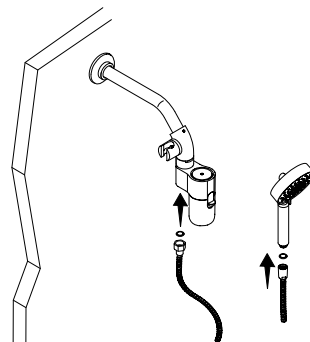
- Wrap the provided sealant tape around the shower arm threads three to five times clockwise.
- Verify the orientation of the Sprig adapter piece (shown) and tighten using the provided wrench.

3



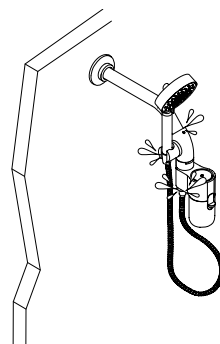
- Push the infusion device firmly onto the adapter. When installed properly, you will no longer see the adapter.
- Tighten the setscrews using the provided hex wrench.

4



- Connect the handshower hose.
- Attach handshower to handshower hose. **Do not overtighten!**

5



- Turn ON the water and check for leaks.

## MAINTENANCE

- Periodically rinse the top of the infusion device with water to remove any excess blend.
- Activate the infusion device without an infusion pod installed to flush the system.

## TROUBLESHOOTING

### The existing showerhead is difficult to remove.

1. Use a suitable wrench or a dry towel to grip the showerhead and remove.

### The infusion device is leaking.

1. Remove the sealant tape and reapply.
2. Verify that the adapter is tightened.
3. Verify that the infusion device is fully pushed onto the adapter piece.

## Need Help?

Email us at [hello@stepintosprig.com](mailto:hello@stepintosprig.com) OR  
Give us a call at 844-417-7744 (844-41-SPRIG)

### Sprig by KOHLER

444 Highland Dr, MS 083  
Kohler, WI 53044

### Cleaning

For care and cleaning, visit [stepintosprig.com/care](http://stepintosprig.com/care)

### Warranty

This product is covered under the Sprig by KOHLER® Lifetime Limited Warranty, found at [stepintosprig.com/warranty](http://stepintosprig.com/warranty). For a hardcopy of warranty terms, please contact the Customer Care Center.

**STEPINTOSPRIG.COM**



1486212-2

1486212-2-D