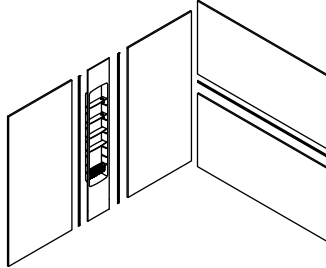


Installation and Care Guide

Locker with Wall Panels and Seams



Français, page "Français-1"
Español, página "Español-1"

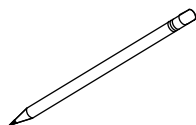
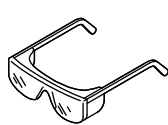
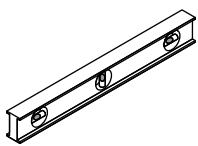
THE BOLD LOOK
OF **KOHLER**®

1242396-2-B

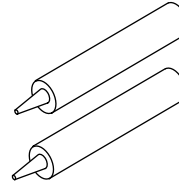
Table of Contents

Tools and Materials	2
Before You Begin	3
Plan the Installation	4
Prepare the Site	5
Measure Components	6
Trim the Locker and Walls	8
Dry Fit the Locker and Walls	9
Install the Corner Joints (Optional)	10
Install the First Wall Panel	11
Install the First Seam Joint	12
Prepare the Locker Unit	13
Install the Locker Unit	14
Install the Second Seam Joint	15
Install the Second Wall Panel	16
Prepare the Corner Joints (Optional)	17
Install the Sidewall Panels without Joints	18
Prepare the Seam Joints	19
Install the Sidewall Panels with Joints	20
Install the Second Sidewall Panel	21
Install the Edge Trim (Optional)	22
Seal the Enclosure	23
Complete the Installation	24
Care and Cleaning	24
Warranty	24

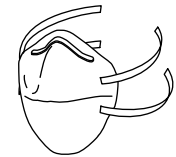
Tools and Materials



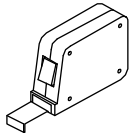
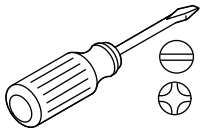
Rags



1-2 Tubes Color Matched
100% Silicone Sealant



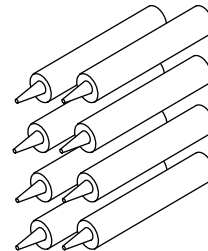
Breathing
Protection



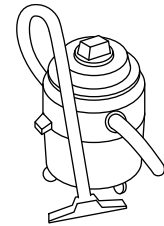
Duct Tape



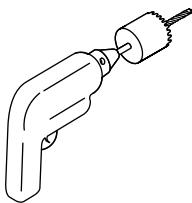
Sanding Block



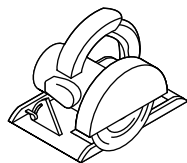
8+ tubes Non-Solvent
Based Construction Adhesive
(Silicone Adhesive when installing over tile)



Shop Vacuum



Drill & Hole Saw
(size will vary)



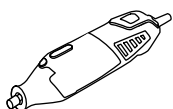
7-1/4" Circular Saw
and Masonry Blade



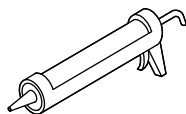
Denatured Alcohol

Plus:

- Standard Woodworking Tools
- Spring Loaded Braces or Lumber
(to create bracing)
- Sawhorses
- Drop Cloth



High Speed Rotary Tool
with Cut-Off Wheel



Caulk Gun



Jigsaw with
Grit Blade and
Fine Toothed Blade

Before You Begin



WARNING: Risk of serious injury. When cutting walls and locker, take appropriate safety measures including the use of breathing protection.



CAUTION: Risk of serious injury. Always wear safety glasses while cutting and drilling.



CAUTION: Risk of serious injury. If the ceiling will be covered with the wall material, the ceiling must be installed prior to the wall panels. Allow sufficient time for the ceiling installation to cure before installing the wall panels or the ceiling can fall during installation, causing injury.

CAUTION: Risk of product damage. The wall panels should be room temperature before cutting. Allow the temperature to stabilize if the walls were in a cold environment.

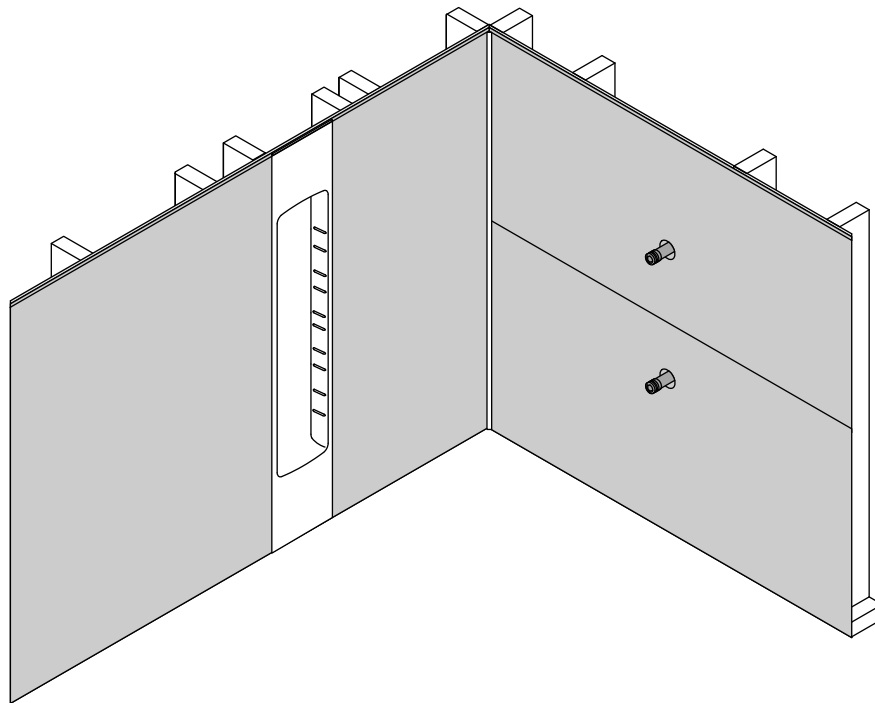
IMPORTANT! Dust will be generated when cutting the wall panels and locker. Cutting the panels and locker should be performed outside or in a well ventilated area.

IMPORTANT! For best results, cut the walls using a masonry blade. Do not use a blade with teeth.

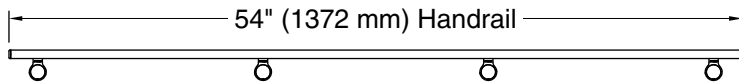
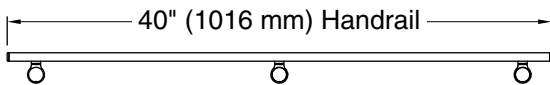
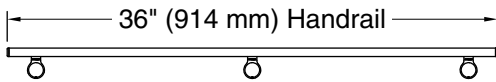
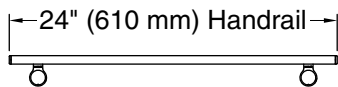
IMPORTANT! Leave this manual for the end user.

Read these instructions before installing or using this product:

- The locker must only be trimmed in height. Do not cut down the sides.
- The existing rough walls must be within 3/8" (10 mm) of plumb.
- The locker unit must be braced using 2x4's around the entire unit.
- Use color matched silicone sealant in the seams and joints.
- Cover the shower receptor with a drop cloth or other protective material to avoid damage.
- Follow the construction adhesive and silicone sealant instructions for application and curing time.
- Inspect all components for damage after unpacking, prior to installation.
- A router may be used to cut the walls and locker. The router bit will dull quickly.
- If the panels are being installed over existing tile, scuff the tile using 100 grit sandpaper for better adhesive contact.
- If installing accessories, install 2x4 backing for handrails, shelves, and hooks and 2x10 backing for the flip-down seat.



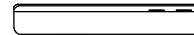
Accessories



Shelf



Shelf



Shelf



Flip Down Seat



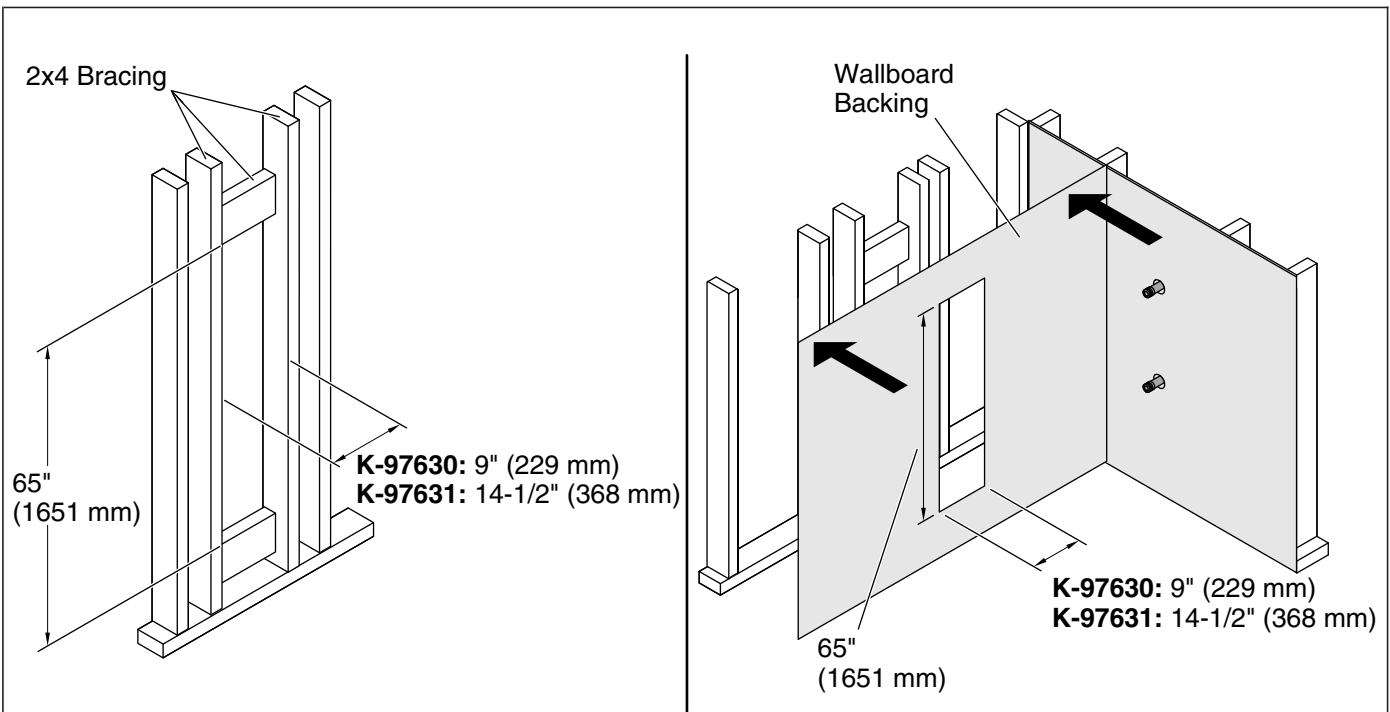
○ Hook

Plan the Installation

NOTE: Determine which accessories will be installed and where before installing wallboard backing material, as accessories may require wood bracing.

Install any required bracing.

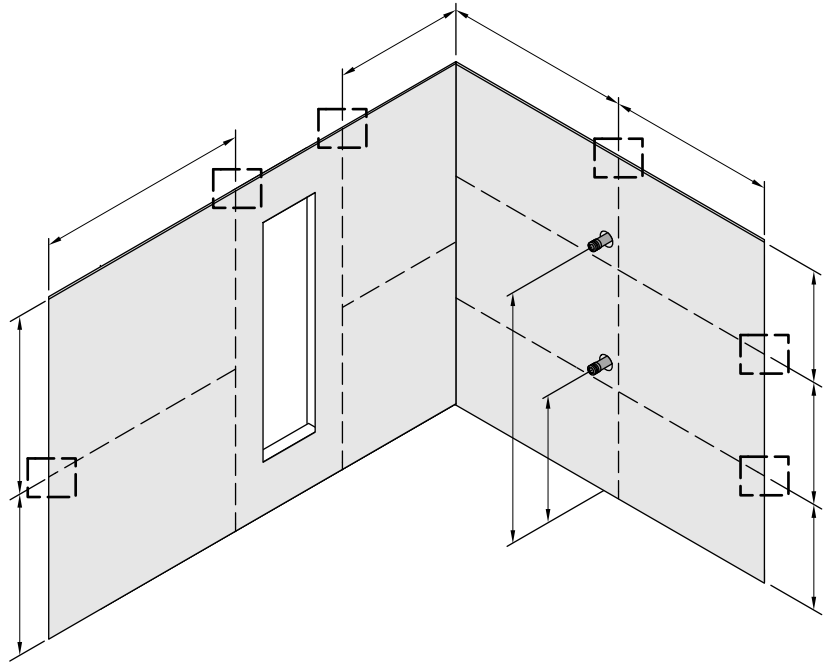
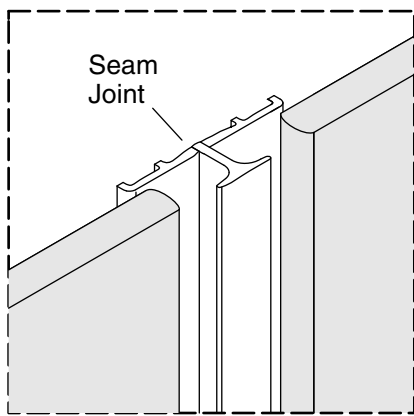
- 2x4 backing is required for the hook unless it is installed into the studding.
- 2x4 backing is required for all handrails and shelves.
- 2x10 backing is required for the flip-down seat.



1. Prepare the Site

IMPORTANT! Water resistant wallboard backing material is recommended.

- Install the rough plumbing for the bath and shower components.
- Check the studs for plumb. Studs should be within 3/8" (10 mm) of plumb, shim if necessary.
- Determine the height of the enclosure and the locker unit.
- Install 2x4 bracing where the locker unit will be placed following the dimensions shown above.
- Install backing support for all accessories that require additional support. Refer to the installation guides packed with each product for specific installation needs.
- Install wallboard backing material over the locker unit opening with the same dimensions as the 2x4 bracing cut out.



2. Measure Components

- Determine if there will be vertical or horizontal seams beyond the corner locations.
- Order optional seam joints as needed.
- Determine if edge joints will be installed.
- Order optional edge joints as needed.

Back Wall Measurement

- Measure the installation area to determine the cut dimensions for the panels.
- Subtract 1/16" (2 mm) from the width of each back wall panel for the locker unit seam joints.
- Subtract 1/16" (2 mm) from the wall panel's height or width for each additional seam joint.
- Subtract half the total width of the locker from the width of each back panel.
- If corner joints will be installed, subtract 1/16" (2 mm) from the width of the back panels for each corner joint.
- Mark the cut lines on the back side of the back panel.

Sidewall Measurement

- If corner joints will be installed, subtract 5/16" (8 mm) from the width of each sidewall panel before cutting.
- Subtract 1/16" (2 mm) from each panel's height or width for each seam joint that will be installed.
- Record the location of the handle, showerhead, bath spout, and other components.
- Mark the cut lines on the back side of the sidewall panels.

Optional: Installation with Ceiling Panels



CAUTION: Risk of injury. Install the ceiling panel prior to installing the panels. Allow the adhesive to cure before installing the panels.

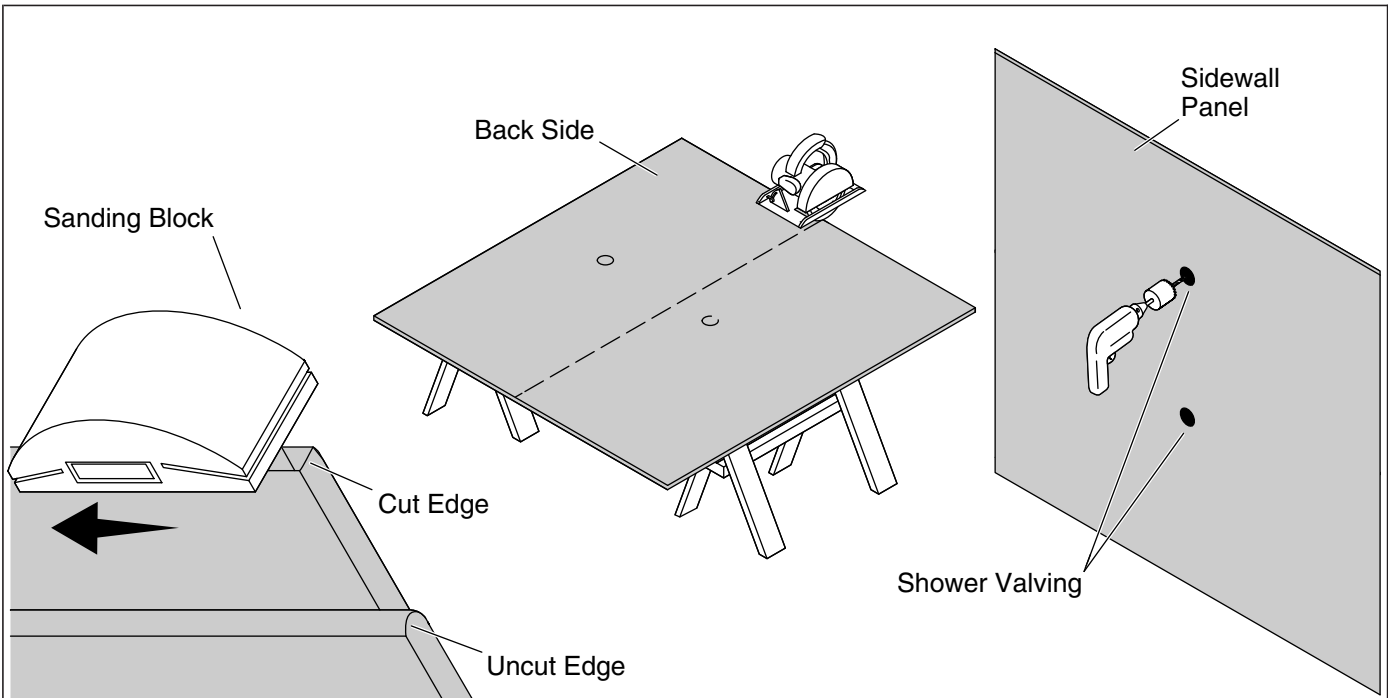
- If the ceiling will be covered with the panel material, measure and cut the ceiling panel to size.

Measure Components (cont.)

- Construct bracing or use commercial bracing to hold the ceiling material in place while it cures.

NOTE: Polyurethane based adhesive is recommended for the ceiling panel.

- Apply construction adhesive to the ceiling material as shown in "Install the First Wall Panel" section.
- With a partner, carefully lift the ceiling panel into place.
- Brace the panel tight against the ceiling and allow it to cure following the adhesive instructions.



3. Trim the Locker and Walls

Cut Wall Placement

IMPORTANT! The cut edge of the panel **MUST** be positioned opposite the seam. The vertical edge of the seam **MUST** mate to an uncut, bevel molded edge on the panel.

- A seam joint can be used between panels but the trimmed edge location requirements remain unchanged.

Cutting the Walls and Locker

IMPORTANT! It is recommended the panel be cut using a circular saw and abrasive wheel or an abrasive masonry blade.

IMPORTANT! Do not cut the sides of the locker unit. Only trim the top or bottom to fit your wall length.

IMPORTANT! The locker unit must be placed with the shelf grooves angled upward. If the locker unit is placed upside down the shelves will fall out.

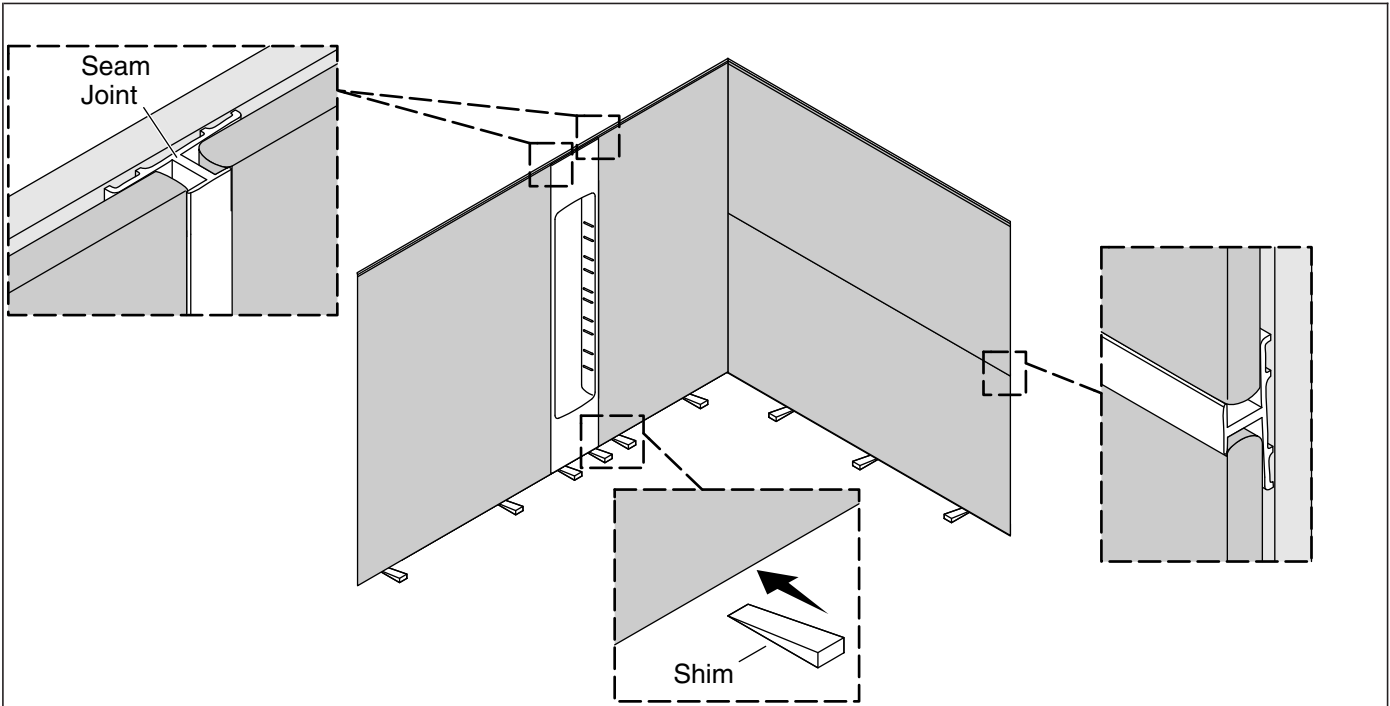
- Position the back wall panel face down on a stand or sawhorses that have a protective material on them.
- Cut the panel to the required dimensions. Use a jigsaw with a grit blade for contour cuts.
- Repeat with the sidewall panels.

NOTE: Remove any protective films on the locker unit surface before cutting.

- Cut the locker unit to the required dimensions using a fine toothed blade.
- From the front side of the panel, use a hole saw to cut the holes for valving and other shower components.

IMPORTANT! It is critical the wall and panels are clean for a strong bond to be created by the adhesive.

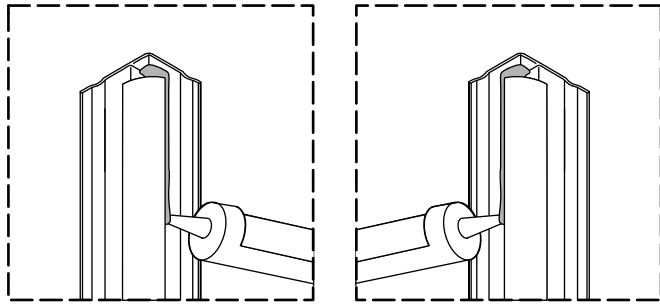
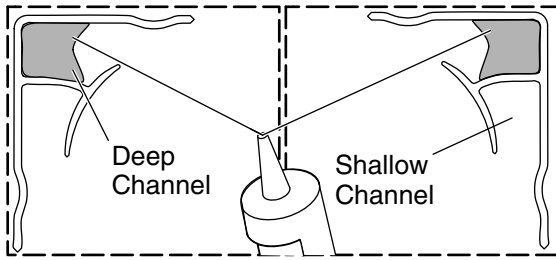
- Remove excess material and sand any rough edges using a sanding block.
- Clean the back of the walls and locker unit with denatured alcohol.



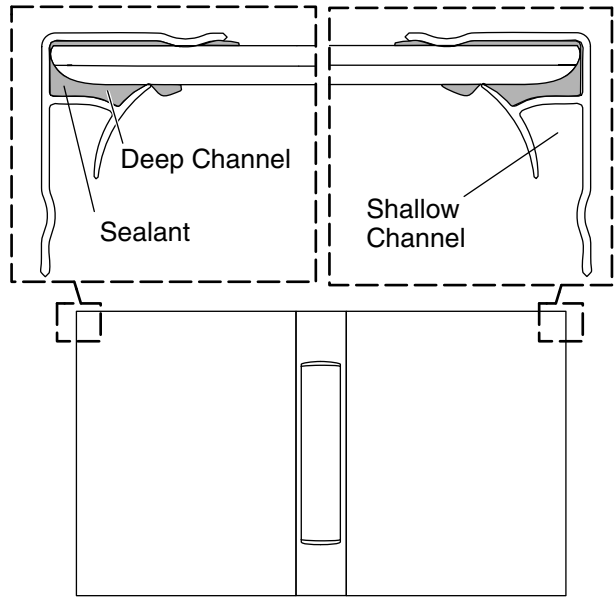
4. Dry Fit the Locker and Walls

- Dry fit the corner joints to the back panels if they are being installed. See "Install the Corner Joints (Optional)" for correct orientation.
- Dry fit the locker unit, seam joints, back, and sidewall panels with shims to confirm fit. Adjust as needed.
- Remove the panels and locker unit.
- Remove the seam joints and the corner joints.

Top View

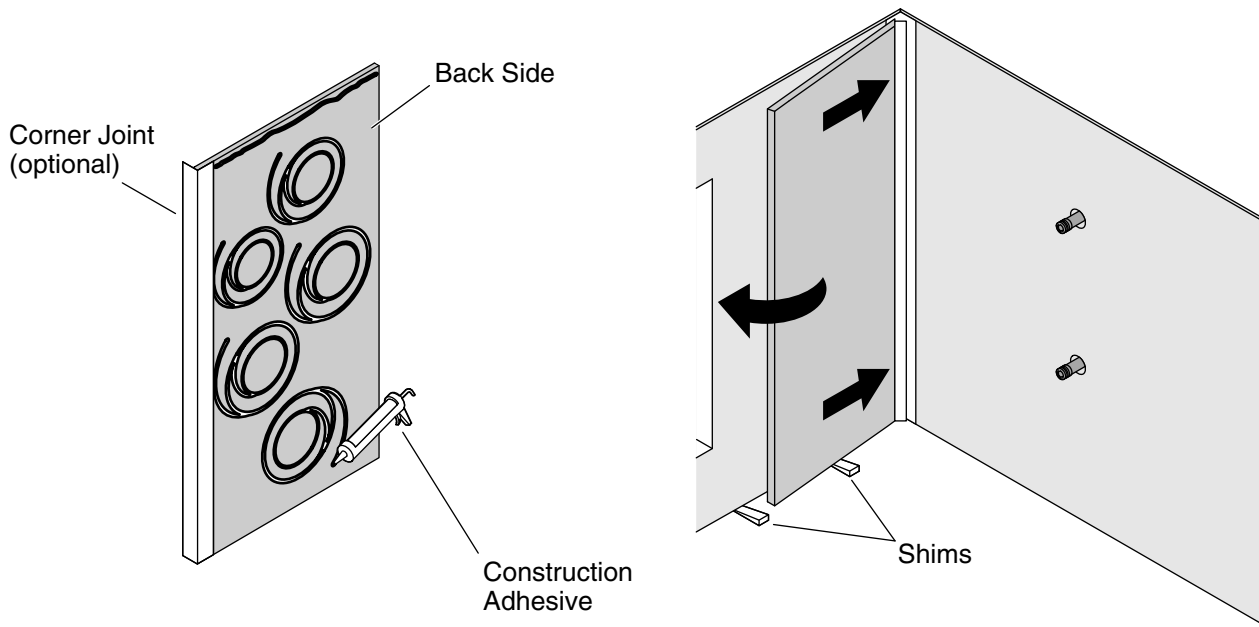


Top View
Back Wall with Joints



5. Install the Corner Joints (Optional)

- Measure the height of the back panel.
- Cut the corner joint to the height of the back panel using a small rotary tool with a cutting wheel.
- Apply color matched sealant in the deep channel groove on the corner joint. Apply enough sealant to fill 1/2 of the groove.
- Install the deep channel of the corner joint on the side of the back wall panel.
- **Do Not** apply sealant or install the second corner joint until you are ready to install the second back wall panel.



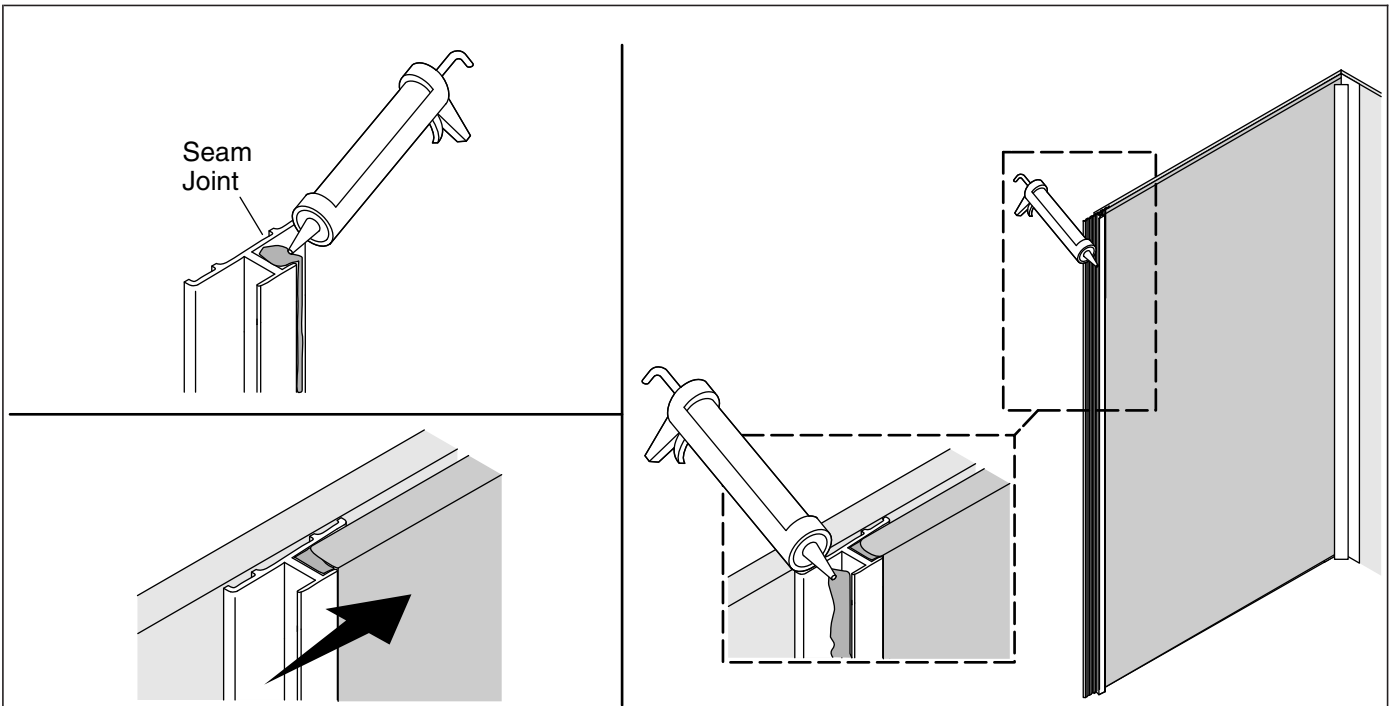
6. Install the First Wall Panel

NOTE: Use silicone adhesive if the panels are being installed over tile. Use bath and shower construction adhesive for other applications.

- Apply adhesive to the back wall panel in a circular pattern. The beads of adhesive should be 5" (127 mm) to 7" (178 mm) apart.
- Apply a bead of construction adhesive along the top edge of the back wall panel 3/4" (19 mm) from the edge.
- Move the back wall panel into place at a slight angle with the corner joint, if installed, fully pressed into the corner.
- Push the panel against the rough wall. Press firmly and evenly across the entire wall. The panel should contact the rough wall completely.
- **TIP:** To remove excess sealant, spray denatured alcohol on the area to be cleaned and onto your finger. The denatured alcohol will help make the removal of the sealant easier.
- Remove the excess sealant with your finger.

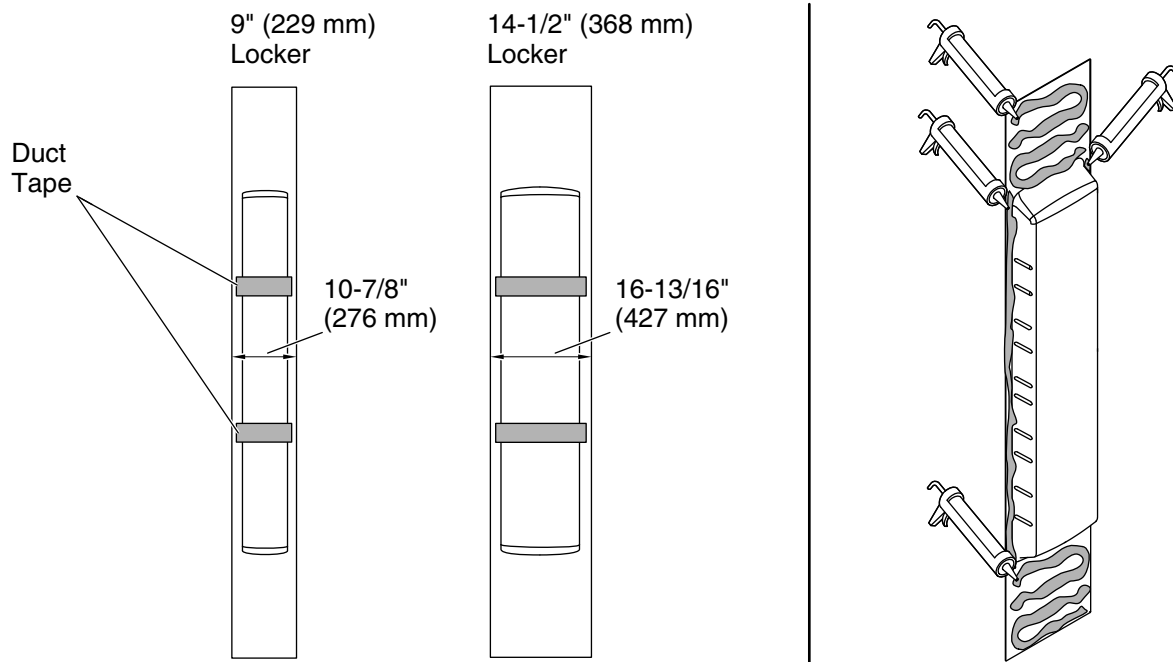
NOTE: Bracing may be needed to hold the panel in place depending on the wall material and adhesive being used.

- When installed over tile, use a temporary brace to secure each wall panel in place for 48 hours to allow full adhesion.



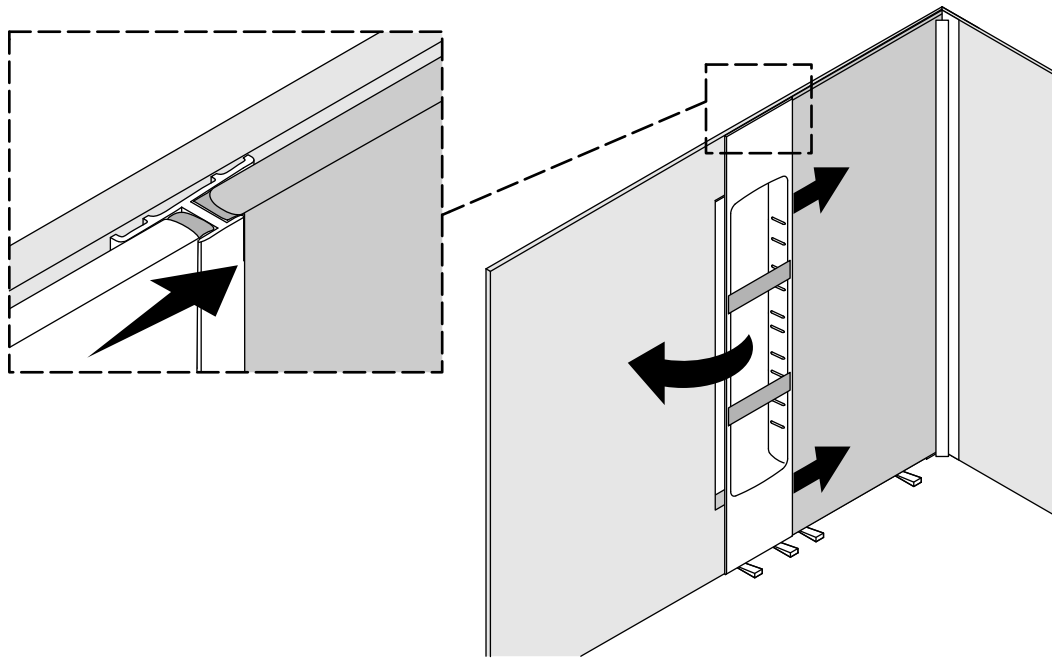
7. Install the First Seam Joint

- Fill one channel on the wall side of the seam joint with color matched silicone sealant.
- Install the seam joint onto the installed back wall panel.
- Apply color matched silicone sealant to the second channel of the seam joint when you are ready to install the locker unit.



8. Prepare the Locker Unit

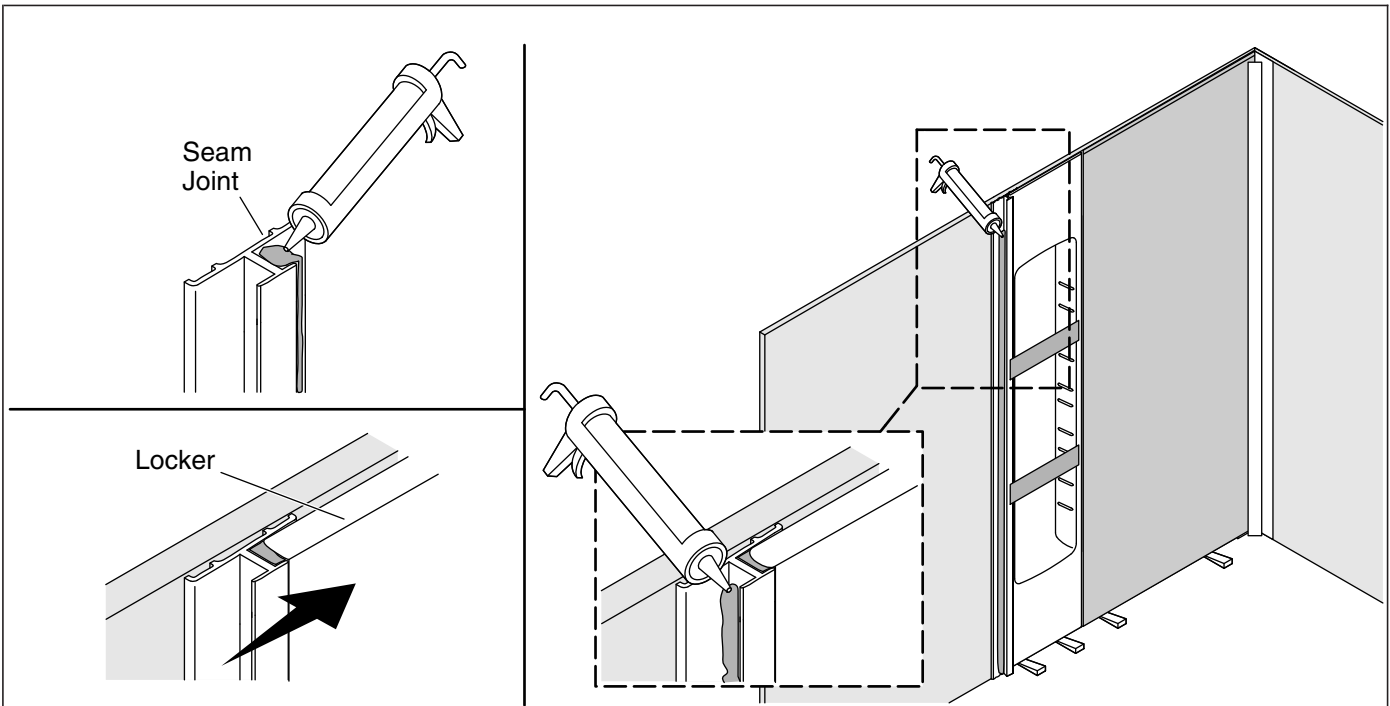
- Run two pieces of duct tape across the front of the locker unit, pulling the sides in until the center of the locker unit is at the dimensions shown above.
- Test the shelf fit in the set of grooves just above and below the taped areas of the locker unit. Ensure the shelf fits tight. If the fit of the shelf is loose, tighten the tape across the locker unit until a snug fit is achieved.
- Leave the tape in place until the final step of the installation.
- **TIP:** Urethane based adhesive may be more effective for locker unit adhesion.
- Generously apply bath and shower construction adhesive or silicone adhesive to the back of the locker unit on the top, bottom, and sides.



9. Install the Locker Unit

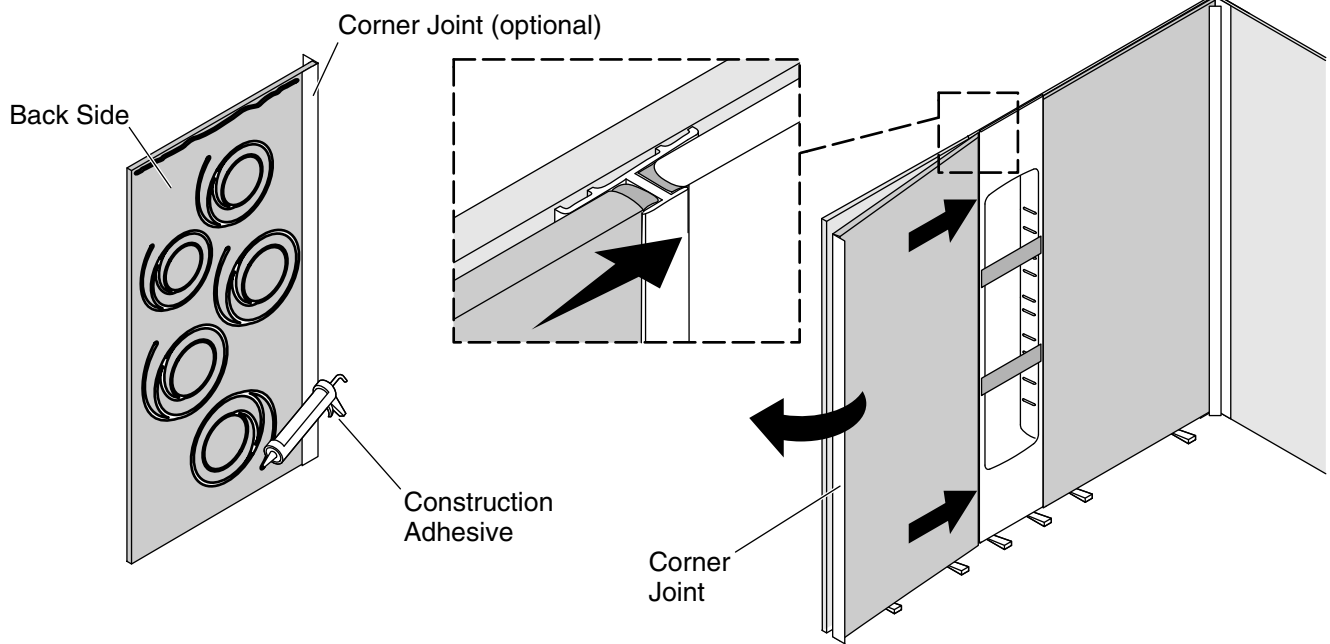
IMPORTANT! The locker unit must be placed with the shelf grooves angled upward. If the locker unit is placed upside down the shelves will fall out.

- Position the locker unit into place at a slight angle.
- Push the locker unit against the installed seam joint and into the rough wall. Press firmly and evenly across the entire locker unit.



10. Install the Second Seam Joint

- Fill one channel on the locker side of the seam joint with color matched silicone sealant.
- Install the seam joint onto the installed locker unit.
- Apply color matched silicone sealant to the second channel of the seam joint when you are ready to install the second back wall panel.



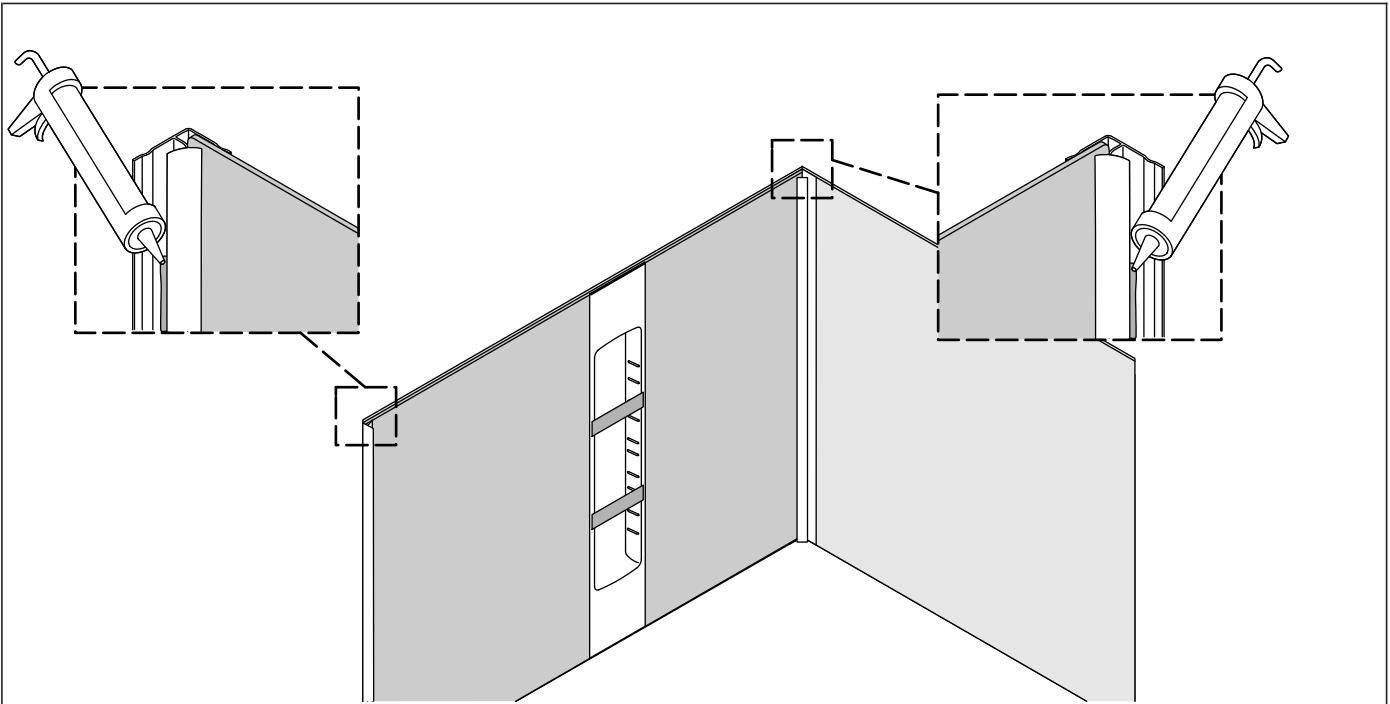
11. Install the Second Wall Panel

NOTE: Use silicone adhesive if the panels are being installed over tile. Use bath and shower construction adhesive for other applications.

- Apply construction adhesive or silicone adhesive to the wall panel in the same manner as the first wall panel. The beads of adhesive should be 5" (127 mm) to 7" (178 mm) apart.
- Apply a bead of construction adhesive along the top edge of the back wall panel 3/4" (19 mm) from the edge.
- Move the back wall panel into place at a slight angle with the corner joint pressed into the corner, if installed.
- Push the panel against the rough wall. Press firmly and evenly across the entire wall. The panel should contact the rough wall completely.
- Push the panel against the rough wall and into the installed seam joint. Press firmly and evenly across the entire wall. The panel should contact the rough wall along the entire area.
- Confirm the locker unit contacts the seam joints along the entire area.
- Remove the excess sealant with your finger.

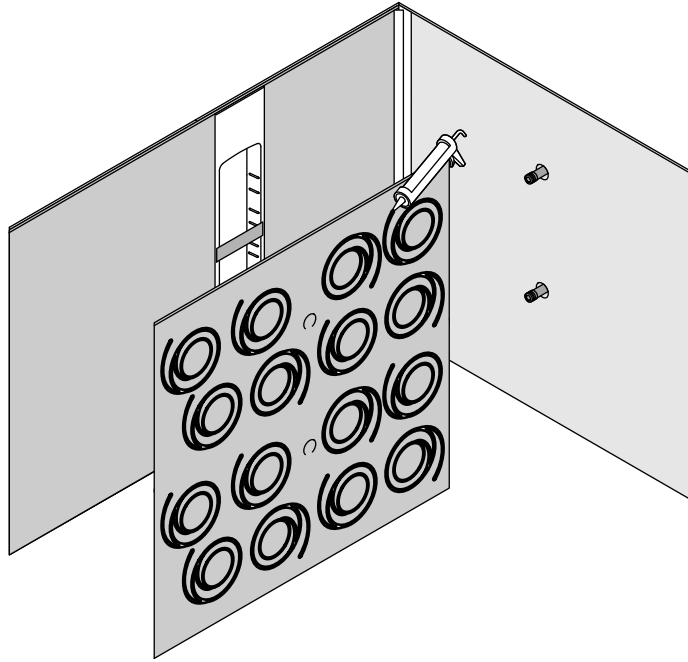
NOTE: Bracing may be needed to hold the panel in place depending on the wall material and adhesive being used.

- When installed over tile, use a temporary brace to secure each wall panel in place for 48 hours to allow full adhesion.



12. Prepare the Corner Joints (Optional)

- Apply color matched sealant in the shallow channel groove on the corner joint. Apply enough sealant to fill 1/2 of the groove.
- **Do Not** apply sealant to the second corner joint until you are ready to install the second sidewall panel.



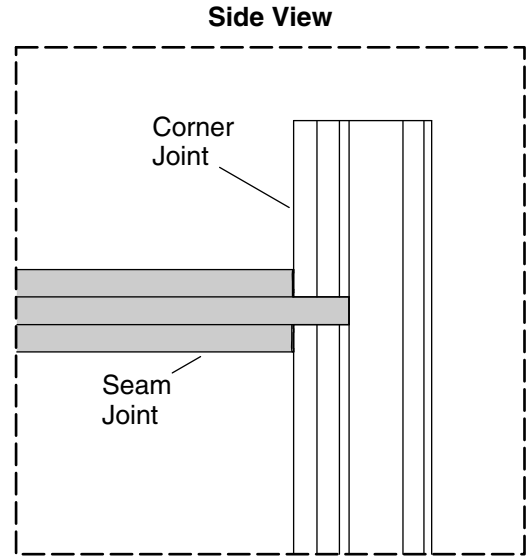
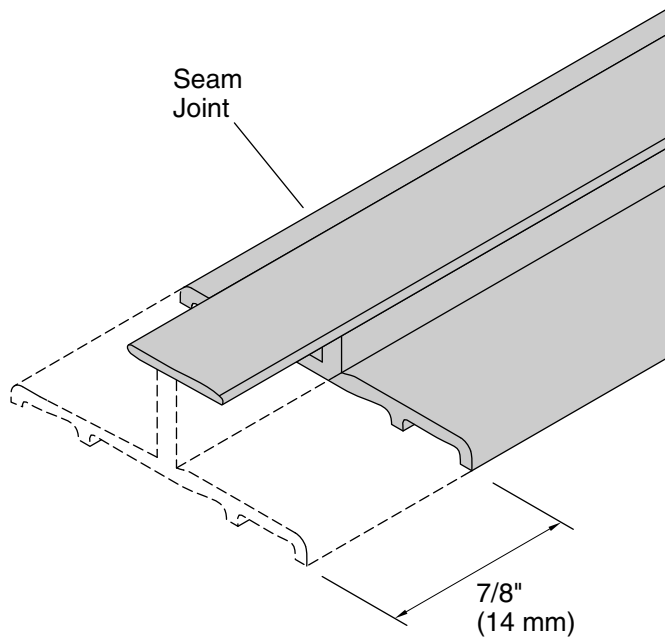
13. Install the Sidewall Panels without Joints

NOTE: Use silicone adhesive if the panels are being installed over tile. Use bath and shower construction adhesive for other applications.

- Apply adhesive to the sidewall panel in a circular pattern. The beads of adhesive should be 5" (127 mm) to 7" (178 mm) apart.
- Apply a bead of construction adhesive along the edges of the sidewall panel 3/4" (19 mm) from the edge.
- Move the sidewall panel into place at a slight angle, pressing the sidewall panel into the corner joint, if installed.
- Push the panel against the rough wall. Press firmly and evenly across the entire wall. The panel should contact the rough wall along the entire area.
- Remove the excess sealant with your finger.

NOTE: Bracing may be needed to hold the panel in place depending on the wall material and adhesive being used.

- When installed over tile, use a temporary brace to secure each wall panel in place for 48 hours to allow full adhesion.
- Repeat these steps with the second side of the enclosure.



14. Prepare the Seam Joints

Installing with Corner Joints

- Determine the required length of the seam joint by measuring the width of the sidewall panel, allowing enough length to extend 7/8" (14 mm) into the channel of the corner joint.

NOTE: To trim the seam joint, a small rotary tool with a cutting wheel is recommended.

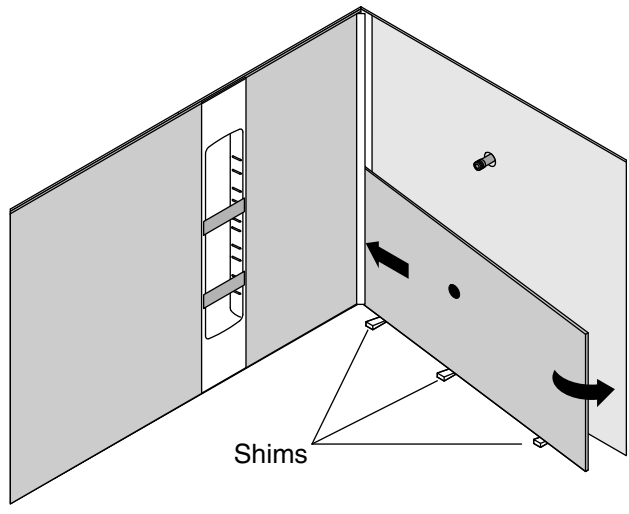
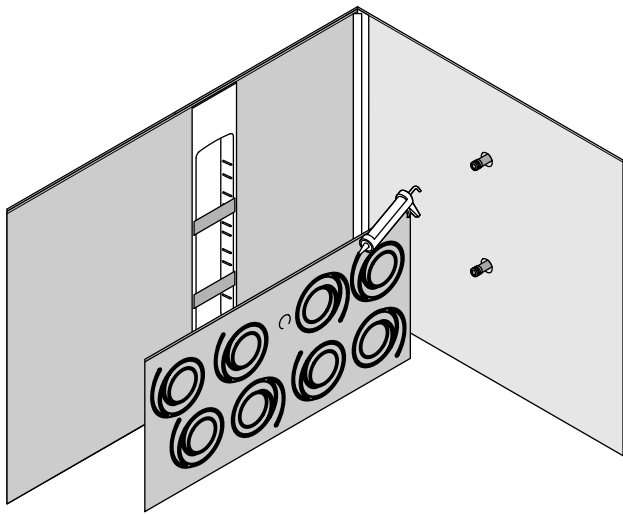
- Cut the seam joint to the required length.
- Trim the end of the seam joint where it will meet the corner joint as shown.

Installing without Corner Joints

- Determine the required length of the seam joint by measuring the width of the sidewall panel.

NOTE: To trim the seam joint, a small rotary tool with a cutting wheel is recommended.

- Cut the seam joint to the required length.

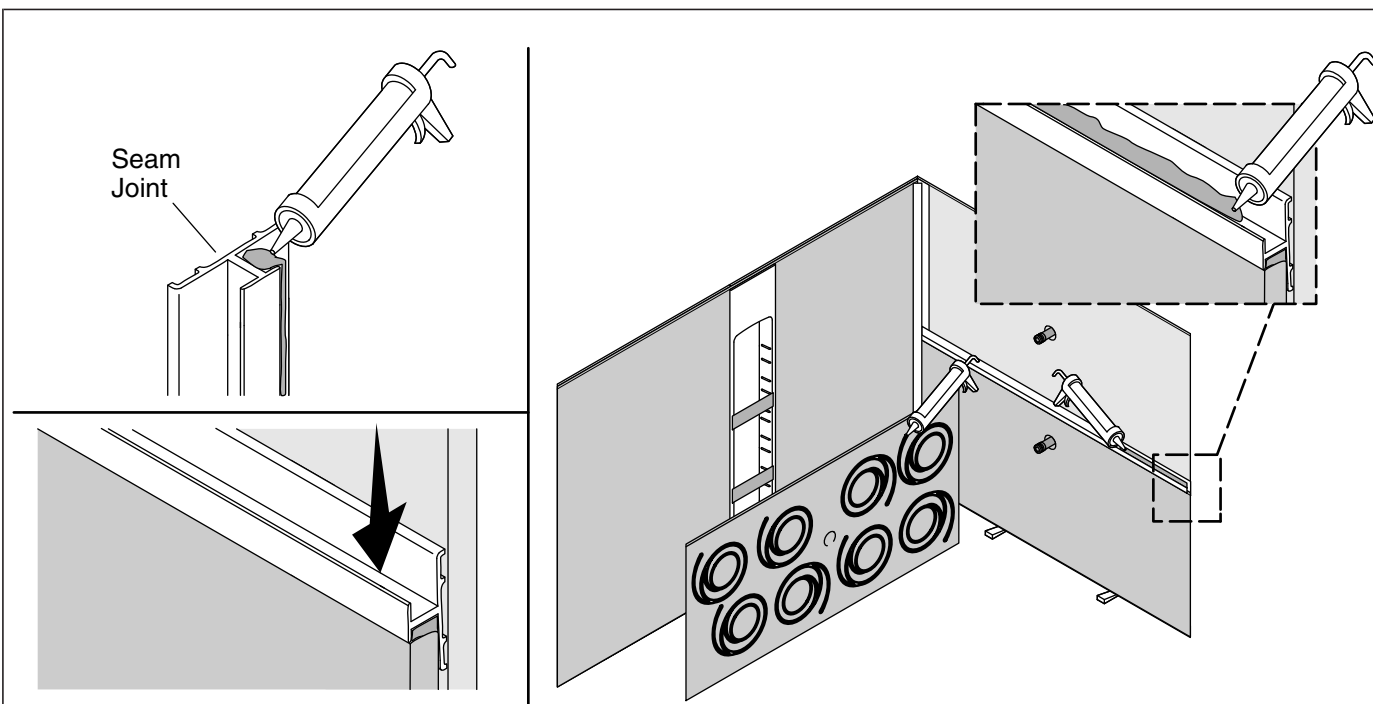


15. Install the Sidewall Panels with Joints

NOTE: Use silicone adhesive if the panels are being installed over tile. Use bath and shower construction adhesive for other applications.

- Apply adhesive to the sidewall panel in a circular pattern. The beads of adhesive should be 5" (127 mm) to 7" (178 mm) apart.
- Apply a bead of construction adhesive along the edges of the sidewall panel 3/4" (19 mm) from the edge.
- Move the sidewall panel into place at a slight angle, pressing the sidewall panel into the corner joint if there is one.
- Push the panel against the rough wall. Press firmly and evenly across the entire wall. The panel should contact the rough wall along the entire area.

NOTE: Bracing may be needed to hold the panel in place depending on the wall material and adhesive being used.



16. Install the Second Sidewall Panel

Install the Seam Joint

- Fill one channel of the seam joint with color matched silicone sealant.
- Install the seam joint into the installed sidewall panel. If corner joints were installed, press the seam joint into the corner joint.
- Apply color matched silicone sealant to the second channel of the seam joint.

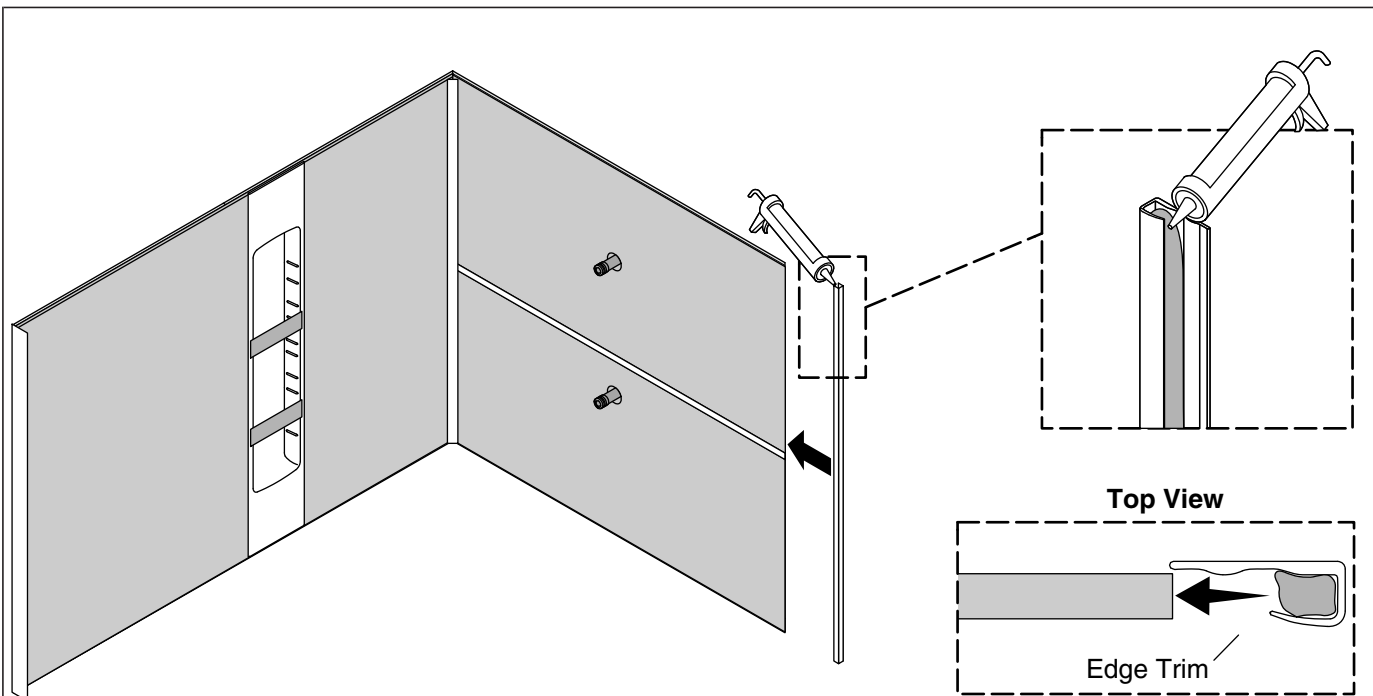
Install the Second Sidewall Panel

NOTE: Use silicone adhesive if the panels are being installed over tile. Use bath and shower construction adhesive for other applications.

- Apply adhesive to the wall panel in the same manner as the first wall panel. The beads of adhesive should be 5" (127 mm) to 7" (178 mm) apart.
- Apply a bead of construction adhesive along the edges of the sidewall panel 3/4" (19 mm) from the edge.
- Move the sidewall panel into place by first pressing the sidewall panel into the seam joint and then sliding the wall panel into the corner joint if installed.
- Push the panel against the rough wall. Press firmly and evenly across the entire wall. The panel should contact the rough wall along the entire area.
- Remove the excess sealant with your finger.

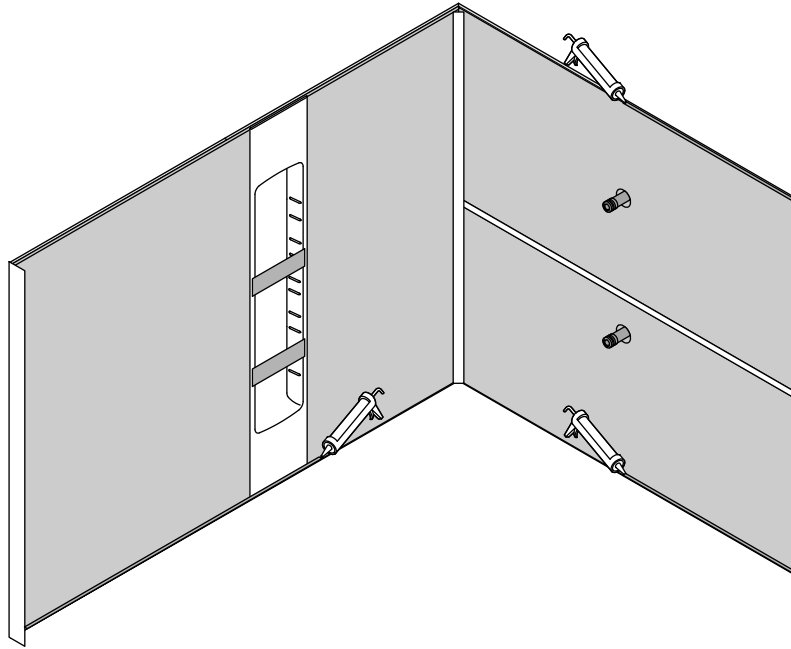
NOTE: Bracing may be needed to hold the panel in place depending on the wall material and adhesive being used.

- When installed over tile, use a temporary brace to secure each wall panel in place for 48 hours to allow full adhesion.
- Repeat these steps with the second side of the enclosure.



17. Install the Edge Trim (Optional)

- If installing edge trim on the outside edges of the wall panel, measure the wall panel height.
- Transfer the measurement to the edge trim.
- Cut the edge trim.
- Apply color matched silicone sealant to the edge trim channel.
- Install the edge trim to the outside edge of the wall panel.
- Repeat for the second side.
- Remove the excess sealant with your finger.



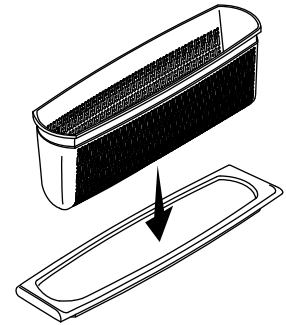
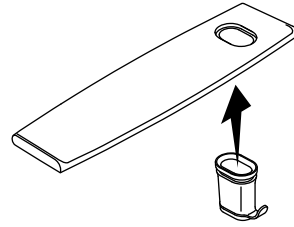
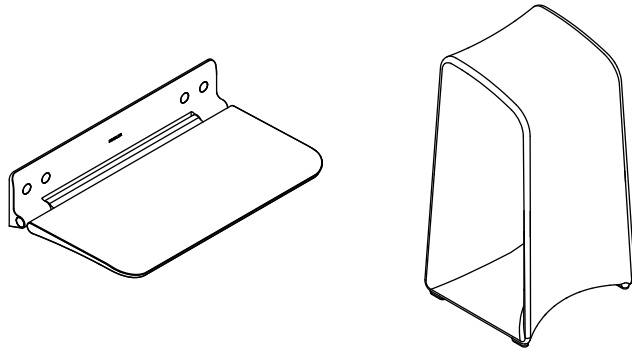
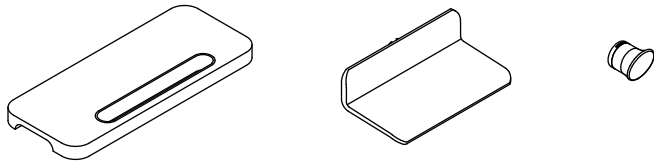
18. Seal the Enclosure

IMPORTANT! For better adhesion success, allow the panels and locker to cure 24 to 48 hours before sealing. Sealing the top or bottom will restrict the air flow, resulting in a longer curing time.

- Apply sealant to the top seams where the panels meet the rough wall.
- Apply sealant to the bottom seams where the panels meet the bath or shower base.

NOTE: Wait 24 hours before showering or running water.

- Remove the tape from the locker unit once the adhesive and sealant on the locker unit and walls have cured.



19. Complete the Installation

- Install all accessories following the installation instructions packed with them.
- Prepare the shelves with accessories.
- Press the hook into the shelf as shown above.
- Press the basket into the shelf as shown above.
- **TIP:** When preparing the two shelves, use water and soap to guide the hook and basket into the shelves with ease.
- Install the shelves into the locker unit.

Care and Cleaning

For best results, keep the following in mind when caring for your KOHLER product:

- Always test your cleaning solution on an inconspicuous area before applying to the entire surface. Avoid using aerosol products.
- Wipe surfaces clean and rinse completely with water immediately after applying cleaner. Rinse and dry any overspray that lands on nearby surfaces.
- Do not allow cleaners to soak on surfaces.
- Use a soft, dampened sponge or cloth. Never use an abrasive material such as a brush or scouring pad to clean surfaces.
- The ideal cleaning technique is to rinse thoroughly and blot dry any water from the surface after each use.

For detailed cleaning information and products to consider, visit www.kohler.com/clean. To order Care & Cleaning information, call 1-800-456-4537.

Warranty

KOHLER® Limited Warranty – Choreograph™ Walls and Accessories

Kohler Co. warrants all Choreograph™ products (including Choreograph™ accessories) to be free of defects in material and workmanship during normal residential use for ten (10) years from the date of sale. If a Choreograph™ product or accessory is used commercially or is installed outside of the United States of

Warranty (cont.)

America, Canada or Mexico, Kohler Co. warrants the Choreograph™ product or accessory to be free of defects in material and workmanship during normal use for three (3) years from the date of sale.

If Kohler Co.'s inspection of your Choreograph™ product or accessory discloses a defect in material or workmanship within the applicable period of coverage stated above, Kohler Co. will, at its election, repair, replace or make appropriate adjustment. Kohler Co. is not responsible for labor charges, installation, or other incidental or consequential costs. In no event shall the liability of Kohler Co. exceed the purchase price of the Choreograph™ product or accessory. Damages due to improper handling, installation or maintenance are not considered manufacturing defects and are not covered by this warranty. This warranty is valid for the original, consumer purchaser only. Proof of purchase (original sales receipt) must be provided to Kohler Co. with all warranty claims.

To obtain warranty service, contact Kohler Co., either through your plumbing contractor, home center, wholesaler, dealer, or E-tailer, or by calling or writing Kohler Co., Attn.: Customer Care Center, 444 Highland Drive, Kohler, Wisconsin 53044, 1-800-4KOHLER (1-800-456-4537) from within the USA and Canada, and 001-800-456-4537 from within Mexico, or visit www.kohler.com within the USA, www.ca.kohler.com from within Canada, or www.mx.kohler.com in Mexico.

TO THE EXTENT PERMITTED BY LAW, ALL IMPLIED WARRANTIES INCLUDING THOSE OF MERCHANTABILITY AND FITNESS FOR A PARTICULAR PURPOSE ARE HEREBY DISCLAIMED. KOHLER CO. AND SELLER HEREBY DISCLAIM ANY LIABILITY FOR SPECIAL, INCIDENTAL, OR CONSEQUENTIAL DAMAGES. Some states/provinces do not allow limitations on how long an implied warranty lasts, or the exclusion or limitation of special, incidental or consequential damages, so these limitations and exclusions may not apply to you. This warranty gives you specific legal rights. You may have other rights which vary from state/province to state/province.

This is the exclusive written warranty for Kohler Co.

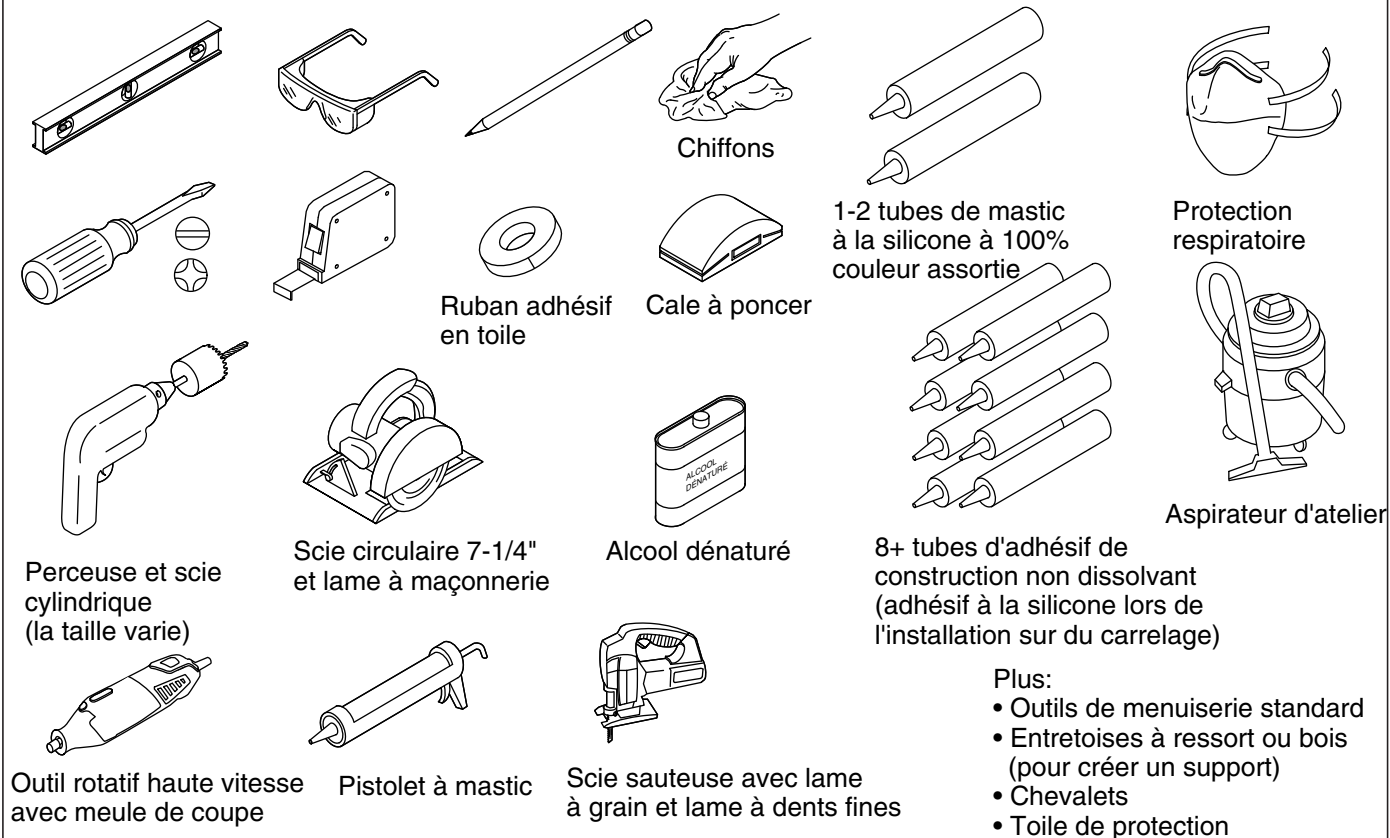
Guide d'installation et d'entretien

Casier avec panneaux muraux et joints

Sommaire

Outils et matériaux	2
Avant de commencer	2
Planifier l'installation	4
Préparer le site	5
Mesurer les composants	6
Couper le casier et les murs	8
Adapter le casier et les murs à sec	10
Installer les joints de coins (optionnel)	11
Installer le premier panneau mural	12
Installer le premier joint de jonction	13
Préparer l'ensemble casier	14
Installer l'ensemble casier	15
Installer le deuxième joint de jonction	16
Installer le deuxième panneau mural	17
Préparer les joints de coins (optionnel)	18
Installer les panneaux muraux latéraux sans joints	19
Préparer les joints de jonction	20
Installer les panneaux muraux latéraux sans joints	21
Installer le deuxième panneau mural latéral	22
Installer la garniture du bord (optionnel)	23
Sceller l'enceinte	24
Terminer l'installation	25
Entretien et nettoyage	25
Garantie	26

Outils et matériaux



Avant de commencer



AVERTISSEMENT: Risque de blessures graves. Lors de la découpe des murs et du casier, suivre les mesures de sécurité appropriées, et inclure l'utilisation d'une protection respiratoire.



ATTENTION: Risque de blessures graves. Toujours porter des lunettes de sécurité pendant la découpe et le perçage.



ATTENTION: Risque de blessures graves. S'il sera recouvert du matériau de panneau mural, le plafond devra être installé avant les panneaux muraux. Laisser assez de temps pour l'installation du plafond, afin que celui-ci sèche avant de poser les panneaux muraux; sinon le plafond pourrait tomber pendant l'installation, ce qui créerait des blessures.

ATTENTION: Risque d'endommagement du produit. Les panneaux muraux doivent être à la température ambiante avant d'être coupés. Attendre que la température se soit stabilisée si les murs étaient entreposés dans un environnement froid.

IMPORTANT! De la poussière sera générée lors de la découpe des panneaux muraux et du casier. La découpe des panneaux et du casier doit être effectuée à l'extérieur, ou dans une zone bien ventilée.

IMPORTANT! Pour obtenir les meilleurs résultats possibles, couper les murs à l'aide d'une lame à maçonnerie. Ne pas utiliser une lame dotée de dents.

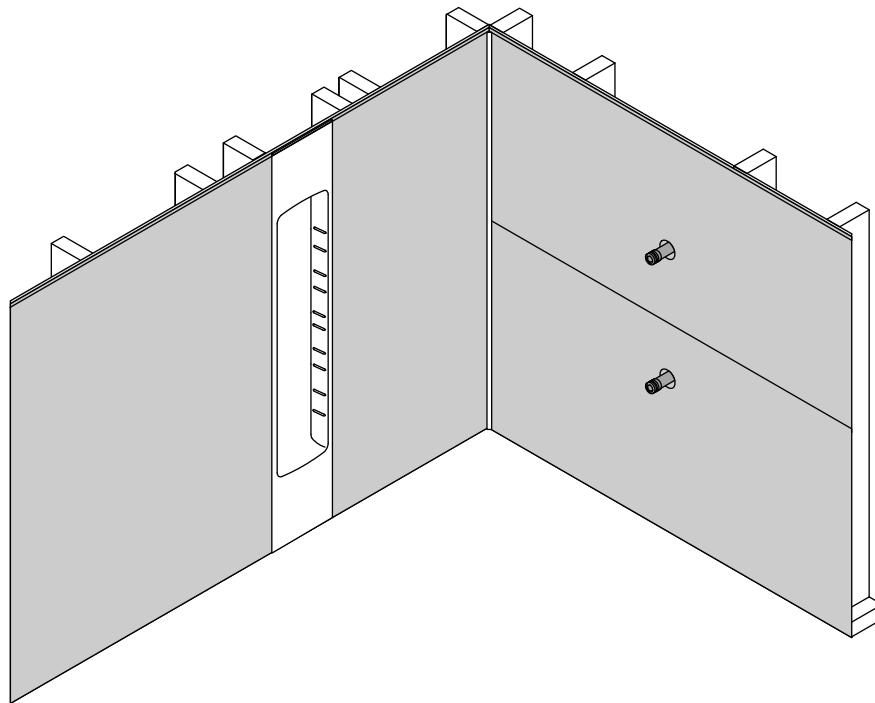
IMPORTANT! Laisser ce manuel pour l'utilisateur final.

Lire ces instructions avant d'installer ou d'utiliser ce produit.

- Le casier doit seulement être coupé en hauteur. Ne pas couper les côtés.

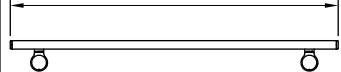
Avant de commencer (cont.)

- Les murs de raccordement existants doivent être compris dans un rayon de 3/8" (10 mm) de l'aplomb.
- Le casier doit être supporté par des montants 2x4 autour de l'ensemble au complet.
- Utiliser du mastic à la silicone de couleur assortie dans les jonctions et les joints.
- Recouvrir le collecteur de douche avec une toile de protection ou un autre matériel de protection pour éviter des dommages.
- Suivre les instructions relatives à l'adhésif de construction et au mastic à la silicone et à celles concernant l'application et le temps de prise.
- Inspecter tous les composants pour y rechercher des dommages éventuels, après les avoir déballés, et avant l'installation.
- Une toupilleuse peut être utilisée pour couper les murs et le casier. La mèche de la toupilleuse s'émousse rapidement.
- Si les panneaux sont installés sur du carrelage déjà présent, frotter le carrelage avec du papier abrasif de grain 100 afin d'assurer un meilleur contact adhésif.
- Si des accessoires sont installés, installer un renfort 2x4 pour les mains courantes, les étagères et les crochets, et un renfort 2x10 pour le siège rabattable.

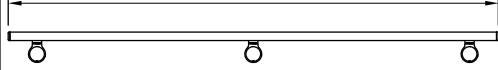


Accessoires

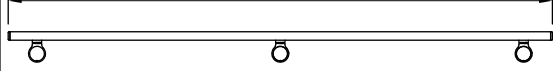
Main courante 24" (610 mm)



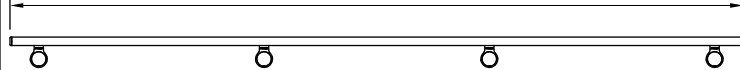
Main courante 36" (914 mm)



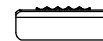
Main courante 40" (1016 mm)



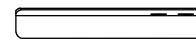
Main courante 54" (1372 mm)



Étagère



Étagère



Étagère



Siège rabattant



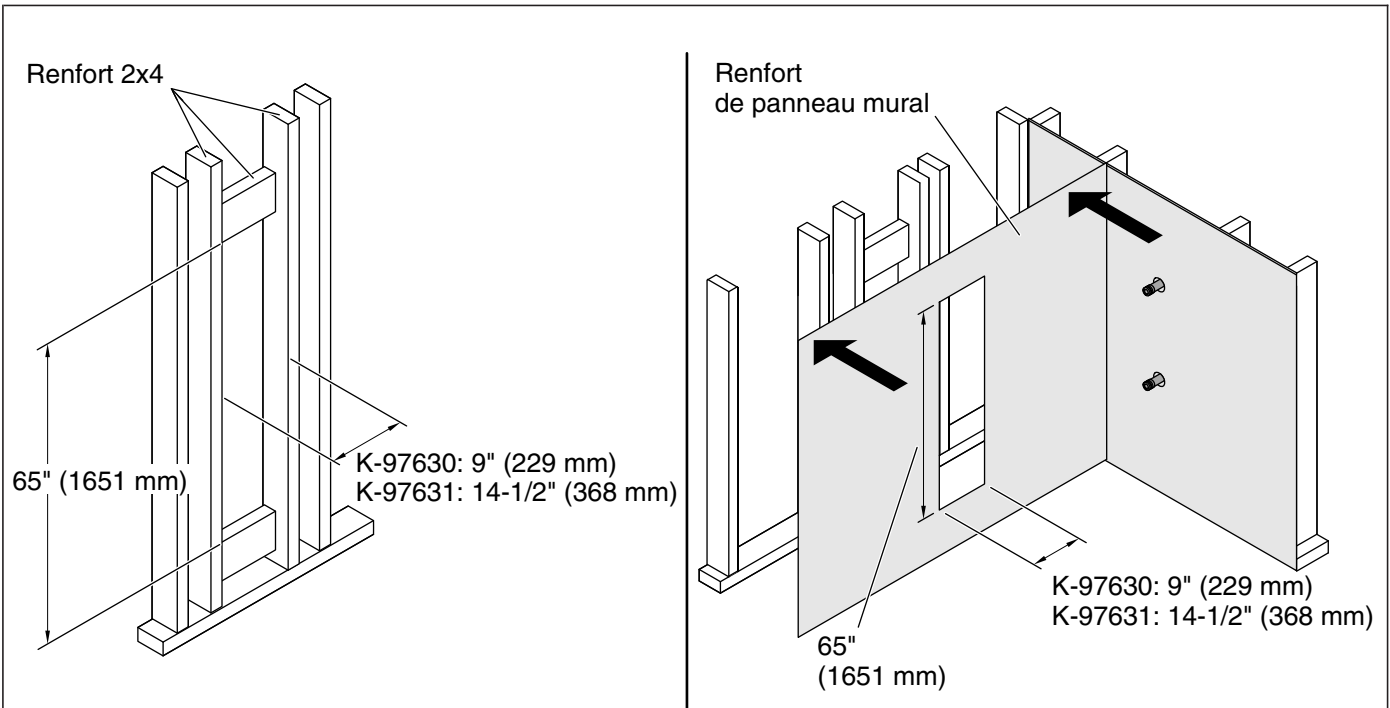
○ Crochet

Planifier l'installation

REMARQUE: Déterminer quels accessoires seront installés et où ils seront installés avant de poser le matériau de renfort du panneau mural, étant donné que les accessoires pourraient exiger un renfort en bois.

Installer tous les renforts requis.

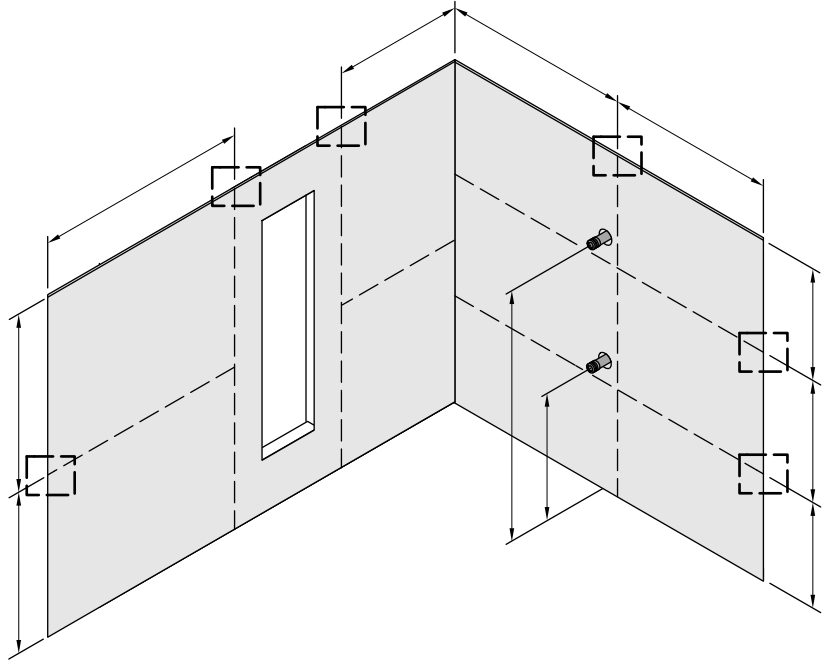
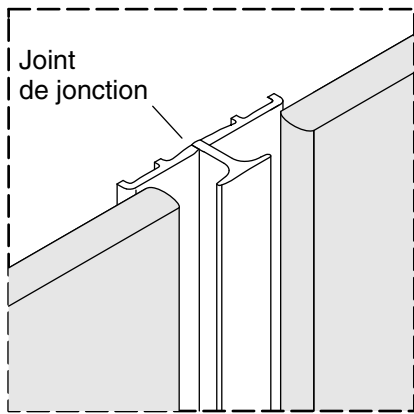
- Un renfort 2x4 est requis pour le crochet, sauf si celui-ci est installé dans le cloutage.
- Un renfort 2x4 est requis pour toutes les mains courantes et étagères.
- Un renfort 2x10 est requis pour le siège rabattable.



1. Préparer le site

IMPORTANT! Il est recommandé d'utiliser du matériau de support de panneau mural hydrofuge.

- Installer la plomberie de raccordement pour les composants de la baignoire et de la douche.
- Inspecter les montants pour vérifier qu'ils sont d'aplomb. Les montants doivent être compris dans un rayon de 3/8" (10 mm) de l'aplomb, caler si nécessaire.
- Déterminer la hauteur de l'enceinte et de l'ensemble casier.
- Installer un renfort 2x4 à l'emplacement où sera placée l'ensemble casier en suivant les dimensions ci-dessus.
- Installer un support de renfort pour tous les accessoires qui exigent un support supplémentaire. Se référer aux guides d'installation accompagnant chaque produit pour les besoins d'installation spécifiques.
- Installer le matériau de renfort du panneau mural par-dessus l'ouverture du casier avec les mêmes dimensions que la découpe du renfort 2x4.



2. Mesurer les composants

- Déterminer si des joints verticaux ou horizontaux seront présents au-delà des emplacements de coins.
- Commander des joints de jonction optionnels selon les besoins.
- Déterminer si des joints longitudinaux seront installés.
- Commander des joints longitudinaux optionnels selon les besoins.

Mesure du mur arrière

- Mesurer la surface d'installation pour déterminer les dimensions de découpe pour les panneaux.
- Soustraire 1/16" (2 mm) de chaque largeur de panneau mural pour les joints de jonction de l'ensemble casier.
- Soustraire 1/16" (2 mm) de la hauteur ou de la largeur du panneau mural pour chaque joint de jonction supplémentaire.
- Soustraire une moitié de la largeur totale du casier de la largeur de chaque panneau arrière.
- Si des joints de coins sont installés, soustraire 1/16" (2 mm) de chaque largeur des panneaux arrière pour chaque joint de coin.
- Mettre les lignes de découpe sur l'arrière du panneau arrière.

Mesure des murs latéraux

- Si l'on installe des joints de coin, soustraire 5/16" (8 mm) de la largeur de chaque panneau mural latéral avant de couper.
- Soustraire 1/16" (2 mm) de la hauteur ou de la largeur de chaque panneau pour chaque joint de jonction qui sera installé.
- Noter l'emplacement de la poignée, de la pomme de douche, du bec de la baignoire, et des autres composants.
- Marquer les lignes de découpe sur l'arrière des panneaux muraux latéraux.

Optionnel: Installation avec panneaux de plafond

Mesurer les composants (cont.)

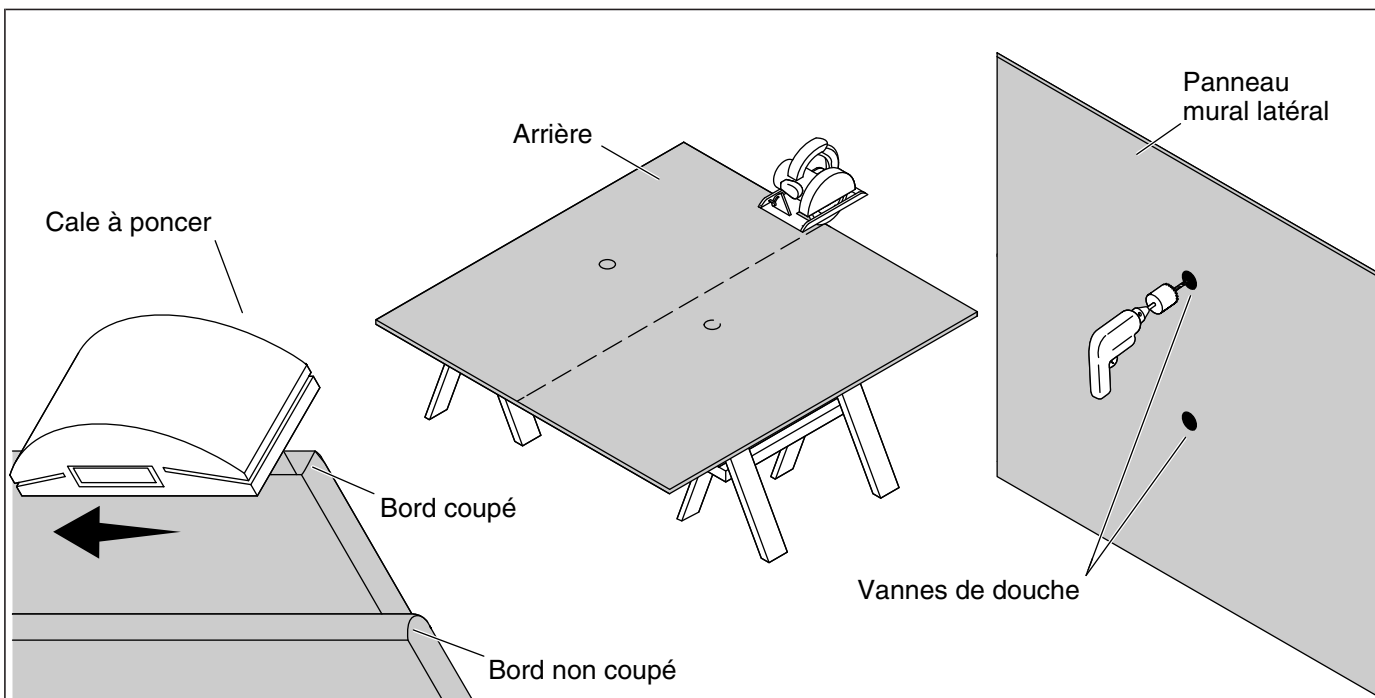


ATTENTION: Risque de blessures. Installer le panneau de plafond avant d'installer les panneaux muraux. Laisser l'adhésif sécher avant d'installer les panneaux muraux.

- Si le plafond sera couvert avec le matériau des panneaux, mesurer et couper le panneau du plafond à la taille appropriée.
- Construire un renfort ou utiliser un renfort disponible sur le marché pour maintenir le matériau du plafond en place pendant qu'il sèche.

REMARQUE: Il est recommandé d'utiliser de l'adhésif à base de polyuréthane pour le panneau du plafond.

- Appliquer de l'adhésif de construction sur le matériau du plafond comme indiqué dans la section "Installer le premier panneau mural".
- Avec un partenaire, lever avec précaution le panneau du plafond pour le mettre en place.
- Soutenir le panneau de manière serrée contre le plafond et le laisser sécher en suivant les instructions accompagnant l'adhésif.



3. Couper le casier et les murs.

Découper l'emplacement du mur

IMPORTANT! Le bord coupé du panneau DOIT être positionné à l'opposé du joint. Le bord vertical du joint DOIT être accouplé à un bord non coupé, bord de biseau moulé sur le panneau.

- Un joint de jonction peut être utilisé entre les panneaux, mais les exigences des emplacements de bords coupés restent inchangés.

Découpe des murs et du casier

IMPORTANT! Il est recommandé de couper le panneau à l'aide d'une scie circulaire et d'une meule abrasive, ou d'une lame à maçonnerie abrasive.

IMPORTANT! Ne pas couper les côtés de l'ensemble casier. Seulement couper le haut ou le bas pour adapter à la hauteur du mur en question

IMPORTANT! L'ensemble casier doit être placé avec les angles des rainures d'étagères tournés vers le haut. Les étagères tomberont si l'ensemble casier est placé à l'envers.

- Positionner le panneau mural arrière tourné vers le bas sur un stand ou des chevalets recouverts d'un matériel de protection.
- Couper le panneau aux dimensions requises. Utiliser une scie sauteuse munie d'une lame à grain pour les découpes de contours.
- Répéter avec les panneaux muraux latéraux.

REMARQUE: Retirer tous les films de protection sur la surface de l'ensemble casier avant de couper.

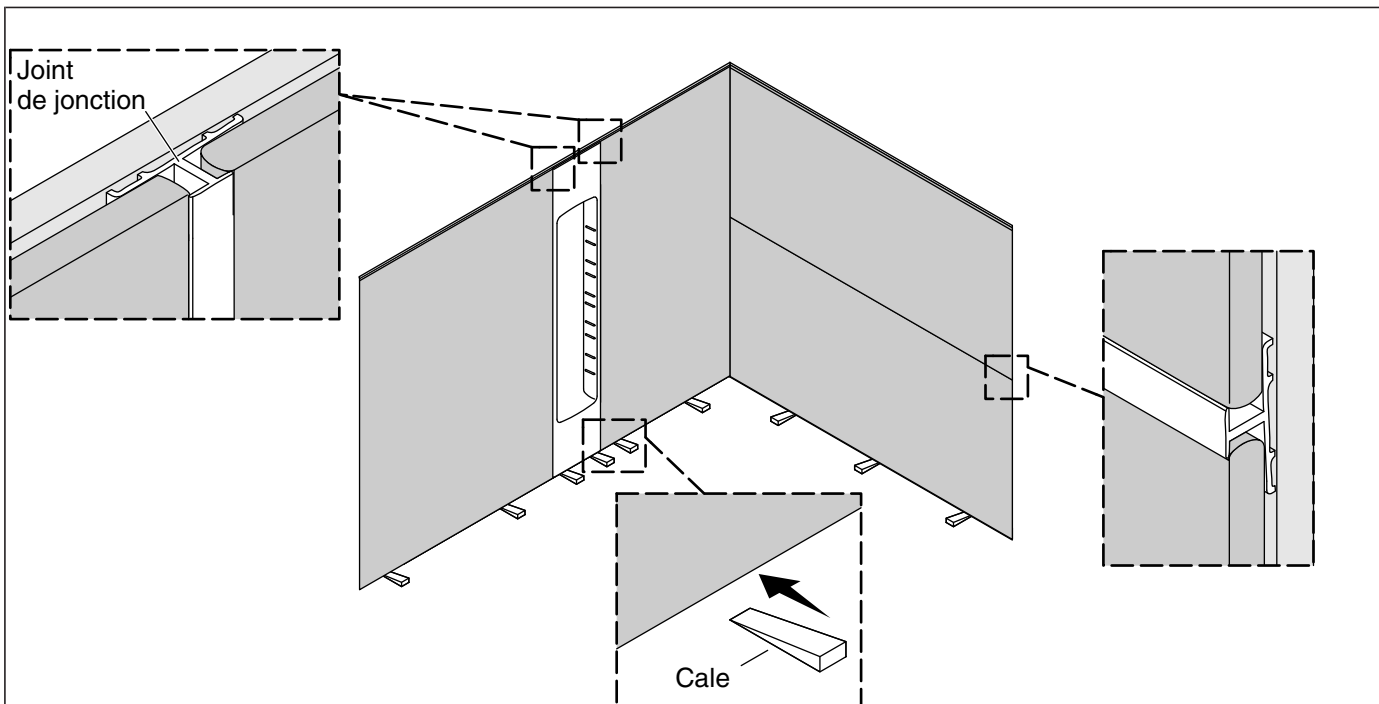
- Couper l'ensemble casier aux dimensions requises en utilisant une lame à dents fines.
- À partir du côté avant du panneau, utiliser une scie-cloche pour découper les trous pour les vannes et autres composants de douche.

IMPORTANT! Il est de première importance que le mur et les panneaux soient propres afin de créer une bonne liaison avec l'adhésif.

- Retirer le matériau excessif et poncer tous les bords rugueux en utilisant un bloc à poncer.

Couper le casier et les murs. (cont.)

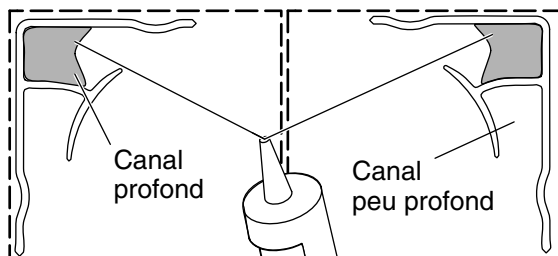
- Nettoyer l'arrière des murs et l'ensemble casier avec de l'alcool dénaturé.



4. Adapter le casier et les murs à sec

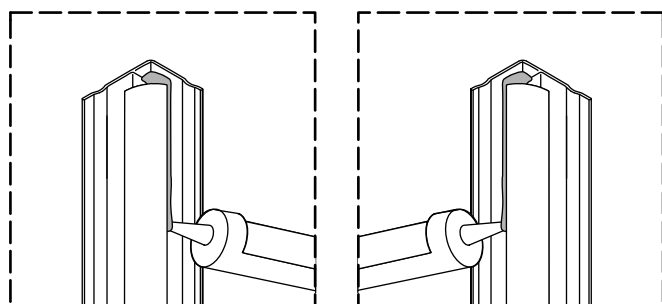
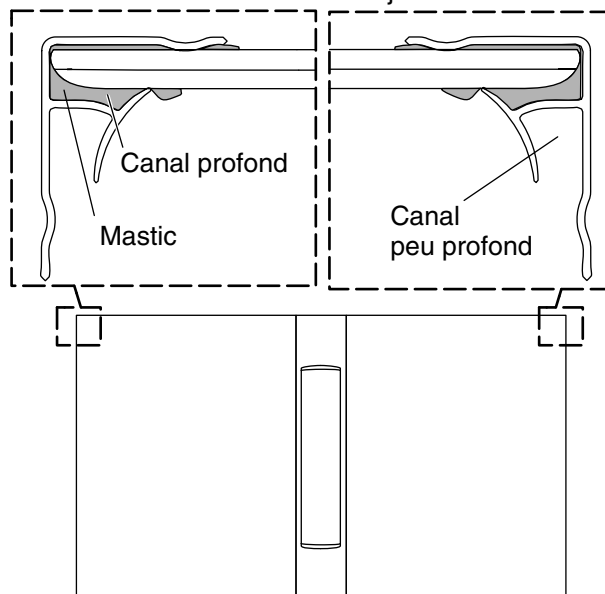
- Adapter les joints de coins à sec sur les panneaux arrière s'ils sont installés. Se référer à la section "Installer les joints de coins (optionnel)" pour une orientation correcte.
- Adapter à sec l'ensemble casier, les joints de jonction, l'arrière et les panneaux muraux latéraux avec des cales pour confirmer qu'ils sont bien adaptés. Ajuster selon les besoins.
- Retirer les panneaux et l'ensemble casier.
- Retirer les joints de jonction et les joints de coins.

Vue de dessus



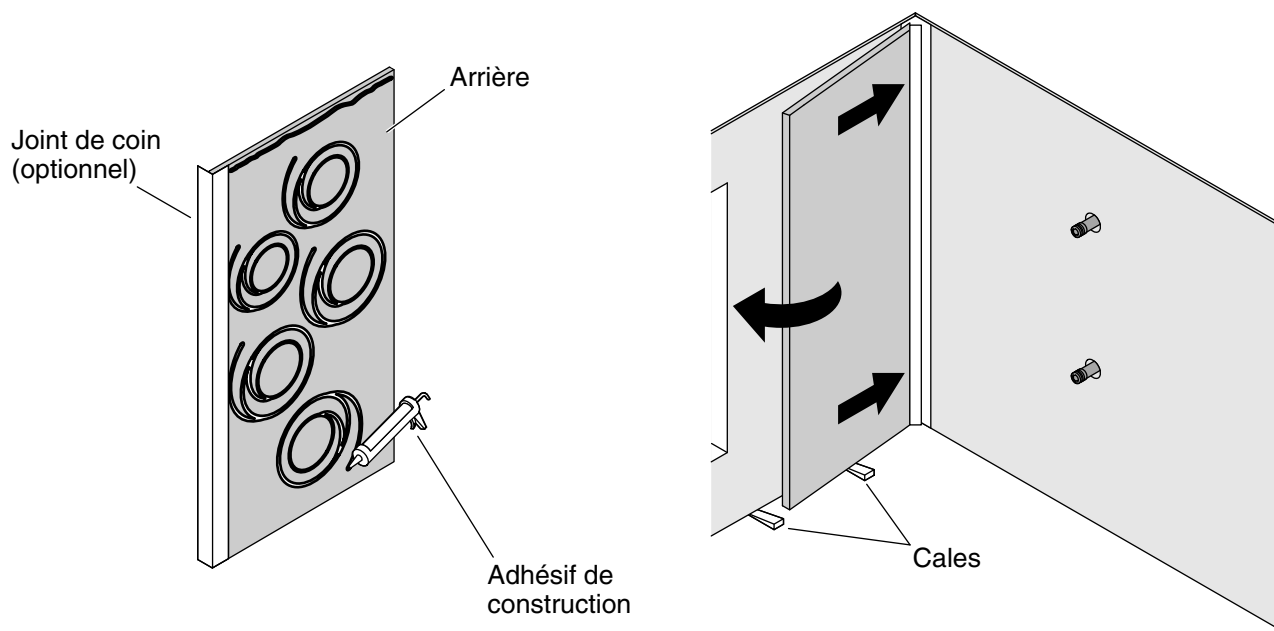
Vue du dessus

Mur arrière avec joints



5. Installer les joints de coins (optionnel)

- Mesurer la hauteur du panneau arrière.
- Couper le joint de coin à la hauteur du panneau arrière en utilisant un petit outil rotatif avec une meule.
- Appliquer un mastic de couleur assortie dans la rainure du canal profond sur le joint de coin. Appliquer une quantité de mastic suffisante pour remplir la moitié de la rainure.
- Installer le canal profond du joint de coin sur le côté du panneau mural arrière.
- **Ne pas** appliquer de mastic et ne pas installer le deuxième joint de coin avant d'être prêt à installer le deuxième panneau mural arrière.



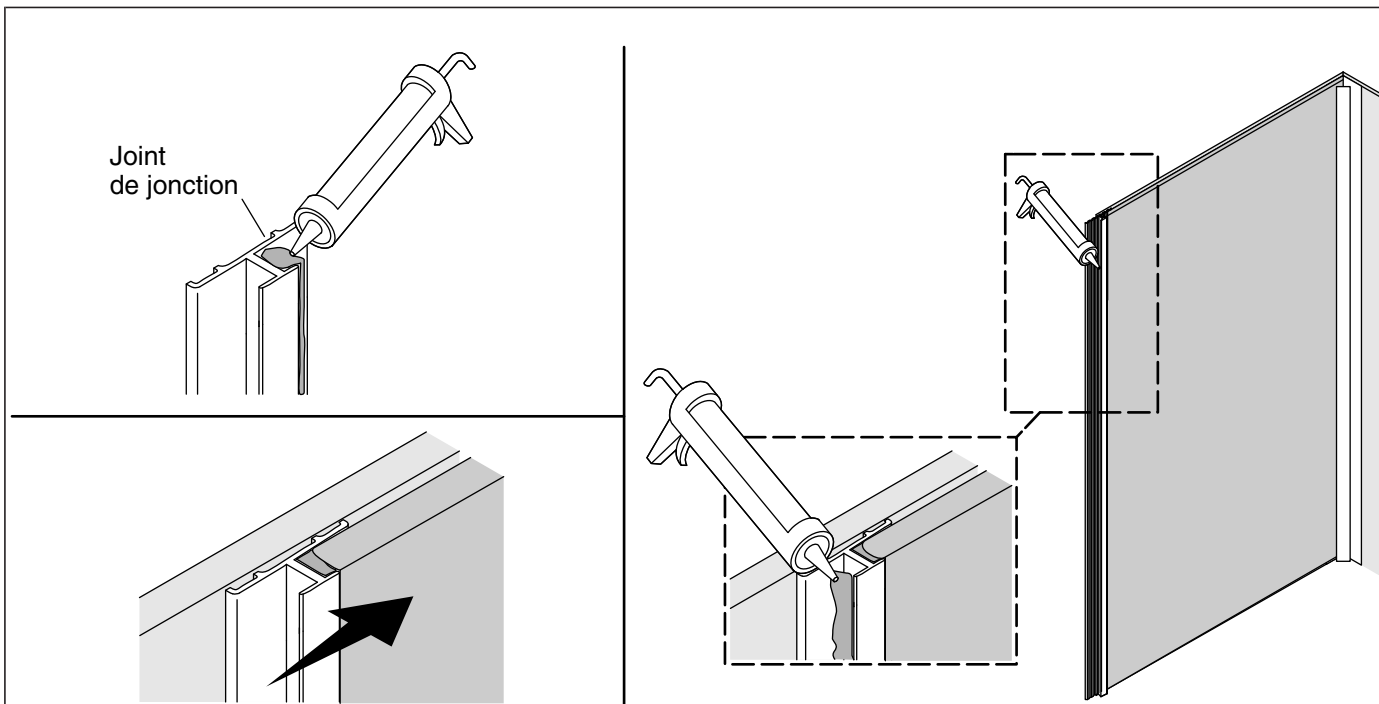
6. Installer le premier panneau mural

REMARQUE: Utiliser de l'adhésif à la silicone si les panneaux sont installés sur du carrelage. Utiliser de l'adhésif de construction pour baignoire et douche pour les autres applications.

- Appliquer de l'adhésif sur le panneau mural arrière dans un motif circulaire. Les boudins de l'adhésif doivent être espacés de 5" (127 mm) à 7" (178 mm).
- Appliquer un boudin d'adhésif de construction le long du bord supérieur du panneau mural arrière à 3/4" (19 mm) du bord.
- Mettre le panneau mural arrière en place à un léger angle avec le joint de coin, s'il est installé, enfoncé entièrement dans le coin.
- Pousser le panneau contre le mur brut. Appuyer fermement et de manière uniforme à travers le mur au complet. Le panneau doit entièrement entrer en contact avec le mur brut.
- **CONSEIL:** Pour éliminer l'excès de mastic, vaporiser de l'alcool dénaturé sur la surface à nettoyer et sur le doigt. L'alcool dénaturé doit aider à faciliter l'élimination du mastic.
- Retirer l'excès de mastic avec le doigt.

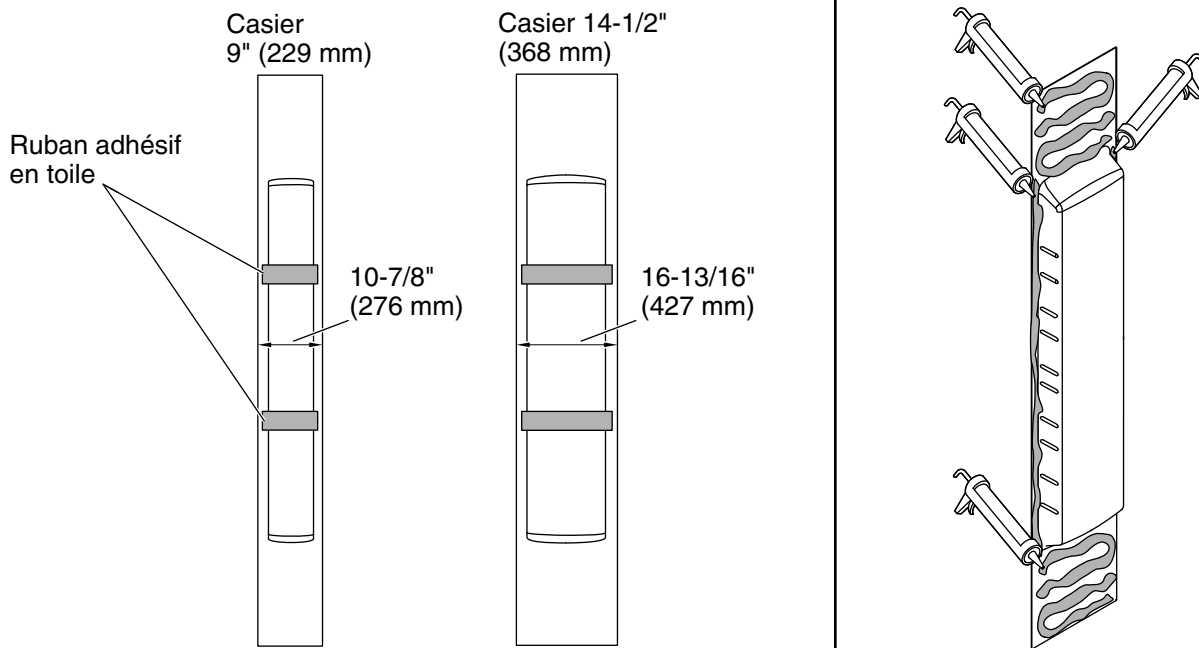
REMARQUE: Il sera peut-être nécessaire de poser des renforts pour maintenir le panneau en place, en fonction du matériau de mur et de l'adhésif utilisés.

- Lors d'une installation sur du carrelage, utiliser un renfort temporaire pour fixer chaque panneau mural en place pendant 48 heures pour permettre une adhésion complète.



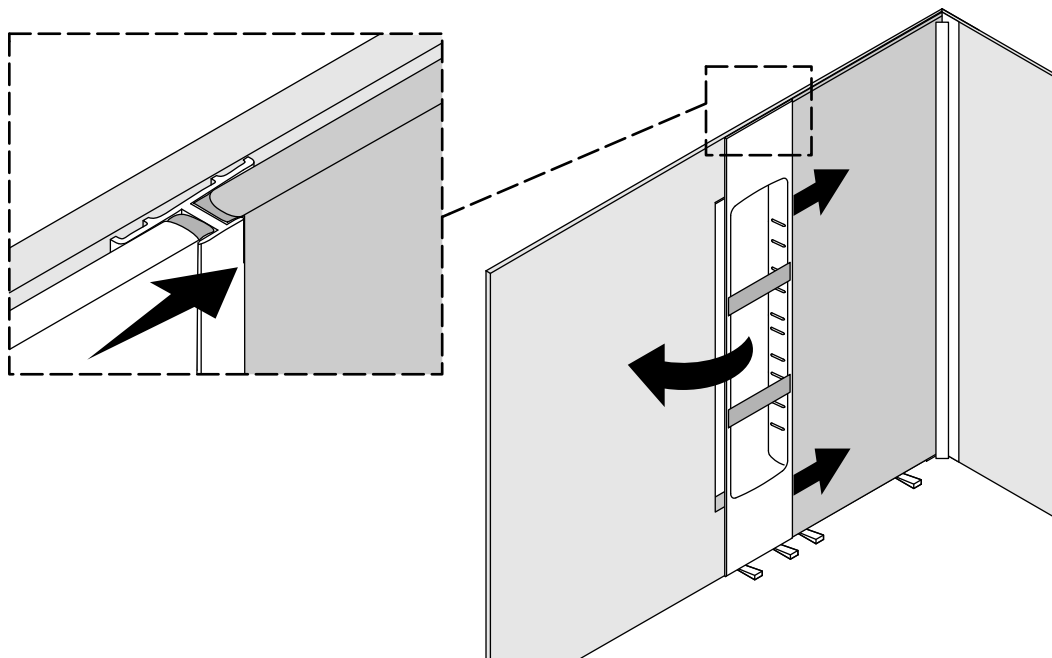
7. Installer le premier joint de jonction

- Remplir un canal sur le côté mur du joint de jonction avec du mastic à la silicone de couleur assortie.
- Installer le joint de jonction sur le panneau mural arrière déjà installé.
- Appliquer du mastic à la silicone de couleur assortie sur le deuxième canal du joint de jonction lorsque l'ensemble casier est prêt à être installé.



8. Préparer l'ensemble casier

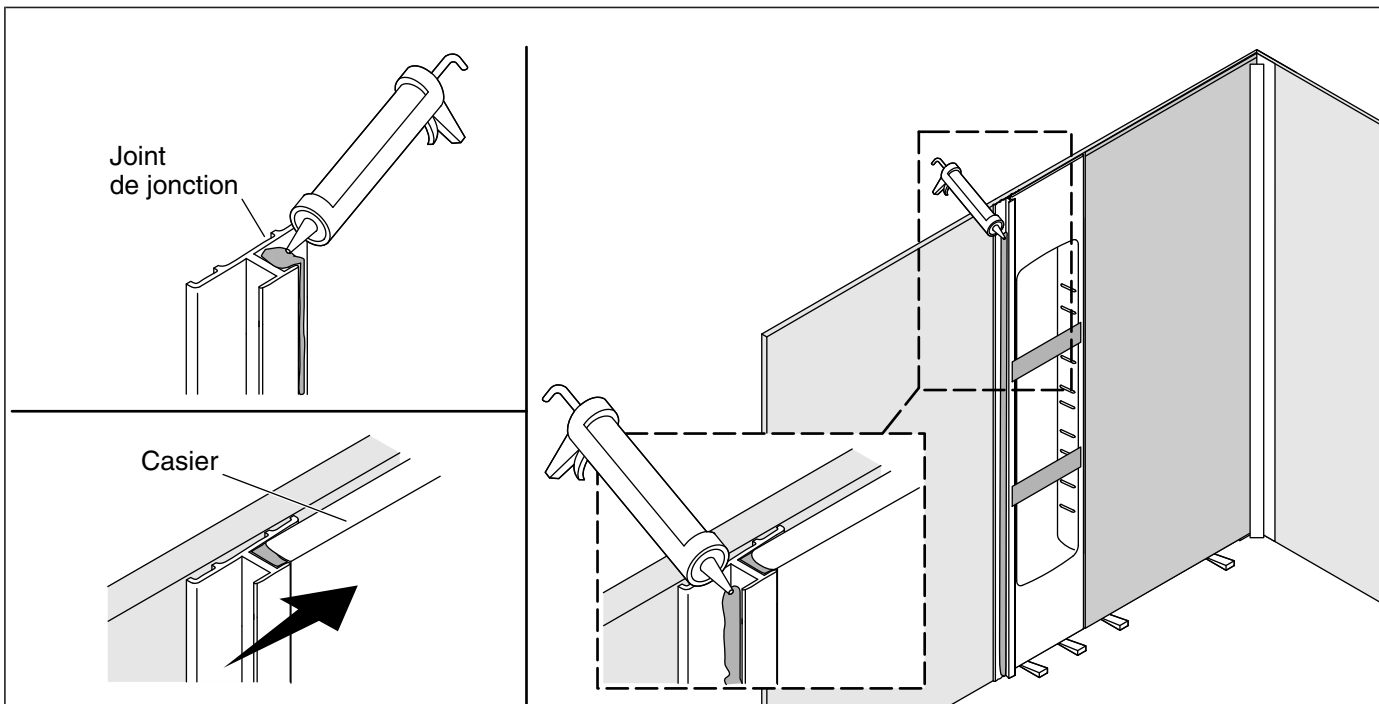
- Faire passer deux morceaux de ruban adhésif en toile au travers de l'avant de l'ensemble casier, en tirant les côtés vers l'intérieur jusqu'à ce que le centre de l'ensemble casier se trouve aux dimensions indiquées ci-dessus.
- Vérifier si l'étagère est bien adaptée dans l'ensemble de rainures juste au-dessus et au-dessous des zones avec ruban de l'ensemble casier. S'assurer que l'étagère est adaptée de manière serrée. Si l'étagère est lâche, serrer le ruban au travers de l'ensemble casier jusqu'à ce qu'elle soit adaptée de manière serrée.
- Laisser le ruban en place jusqu'à l'étape finale de l'installation.
- **CONSEIL:** De l'adhésif à base d'uréthane pourrait être plus efficace pour l'adhésion de l'ensemble casier.
- Appliquer généreusement de l'adhésif de construction ou de l'adhésif à la silicone pour baignoires et douches sur l'arrière de l'ensemble casier sur le dessus, le bas, et les côtés.



9. Installer l'ensemble casier

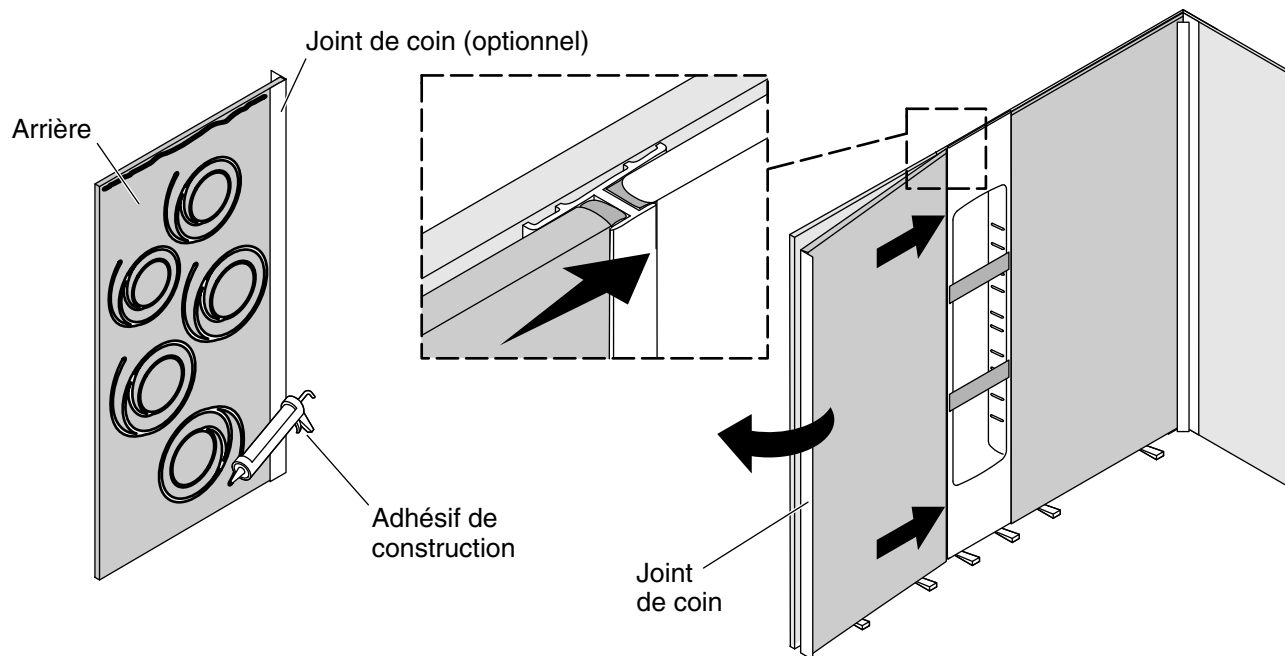
IMPORTANT! L'ensemble casier doit être placé avec les angles des rainures des étagères tournés vers le haut. Les étagères tomberont si l'ensemble casier est placé à l'envers.

- Amener l'ensemble casier en place à un léger angle.
- Pousser l'ensemble casier contre le joint de jonction installé et dans le mur brut. Appuyer fermement et de manière uniforme à travers l'ensemble casier au complet.



10. Installer le deuxième joint de jonction

- Remplir un canal sur le côté casier du joint de jonction avec du mastic à la silicone de couleur assortie.
- Installer le joint de jonction sur l'ensemble casier installé.
- Appliquer du mastic à la silicone de couleur assortie sur le deuxième canal du joint de jonction lorsque le deuxième panneau mural arrière est prêt à être installé.



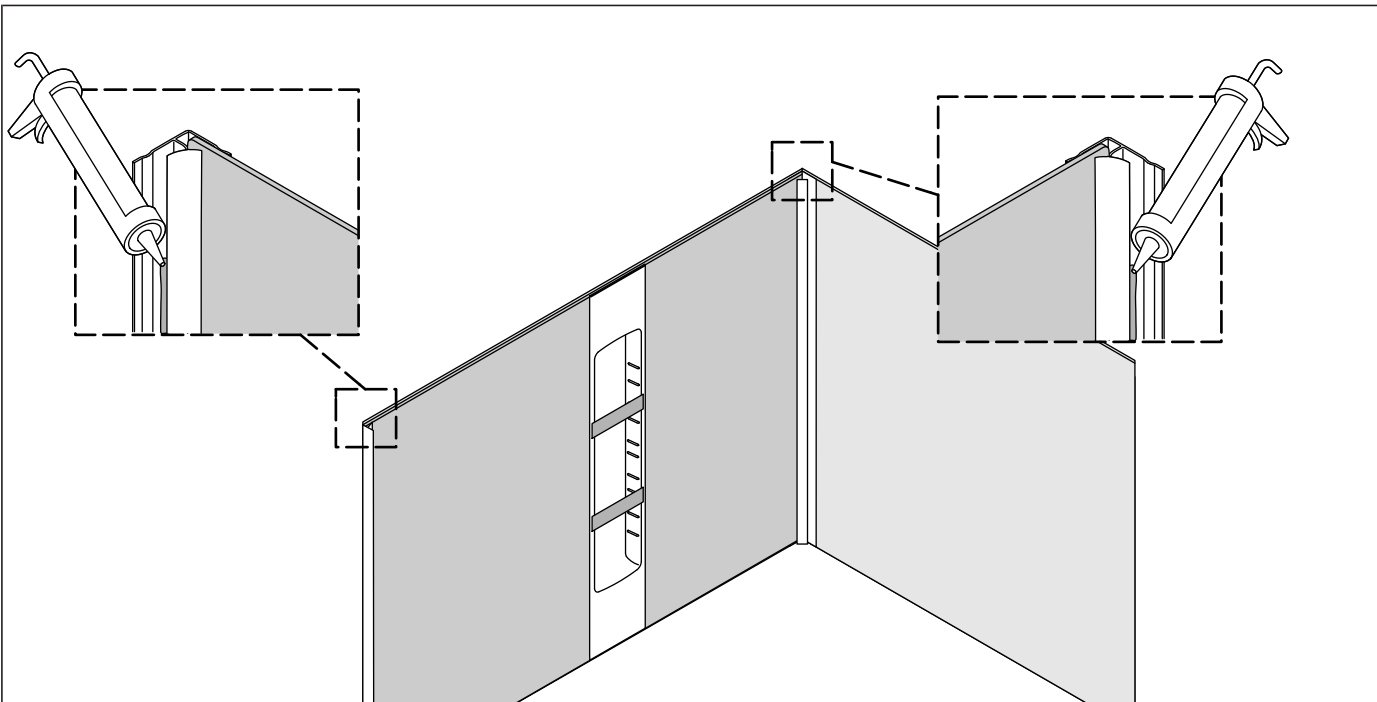
11. Installer le deuxième panneau mural

REMARQUE: Utiliser de l'adhésif à la silicone si les panneaux sont installés sur du carrelage. Utiliser de l'adhésif de construction pour baignoire et douche pour les autres applications.

- Appliquer de l'adhésif de construction ou de l'adhésif à la silicone sur le panneau mural de la même manière que pour le premier panneau mural. Les boudins d'adhésif doivent être espacés de 5" (127 mm) à 7" (178 mm).
- Appliquer un boudin d'adhésif de construction le long du bord supérieur du panneau mural arrière à 3/4" (19 mm) du bord.
- Mettre le panneau mural arrière en place à un léger angle avec le joint de coin enfoncé dans le coin, s'il est installé.
- Pousser le panneau contre le mur brut. Appuyer fermement et de manière uniforme à travers le mur au complet. Le panneau doit entièrement entrer en contact avec le mur brut.
- Pousser le panneau contre le mur brut et dans le joint de jonction installé. Appuyer fermement et de manière uniforme à travers le mur au complet. Le panneau doit entrer en contact avec le mur brut le long de toute la surface.
- Vérifier que l'ensemble casier entre en contact avec les joints de jonction le long de toute la surface.
- Retirer l'excès de mastic avec le doigt.

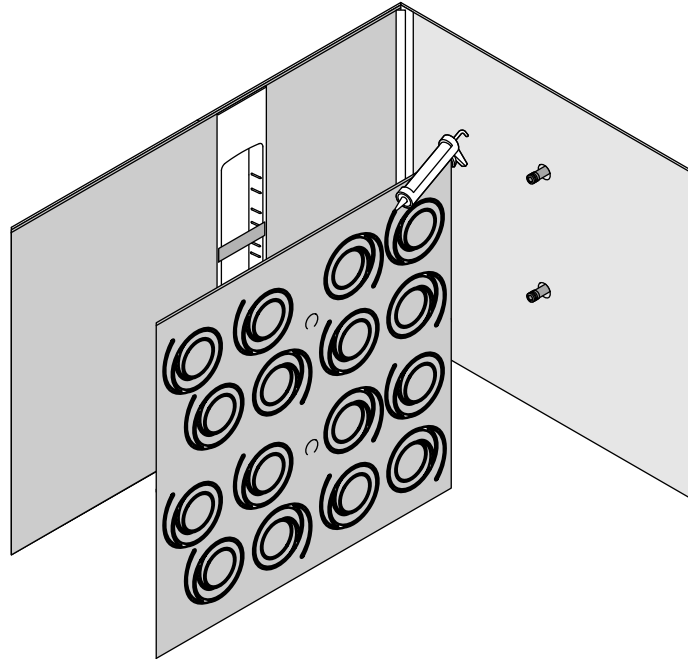
REMARQUE: Il sera peut-être nécessaire de poser des renforts pour maintenir le panneau en place, en fonction du matériau de mur et de l'adhésif utilisés.

- Lors d'une installation sur du carrelage, utiliser un renfort temporaire pour fixer chaque panneau mural en place pendant 48 heures pour permettre une adhésion complète.



12. Préparer les joints de coins (optionnel)

- Appliquer un mastic de couleur assortie dans la rainure du canal peu profond sur le joint de coin. Appliquer une quantité de mastic suffisante pour remplir la moitié de la rainure.
- **Ne pas** appliquer de mastic sur le deuxième joint de coin avant d'être prêt à installer le deuxième panneau latéral.



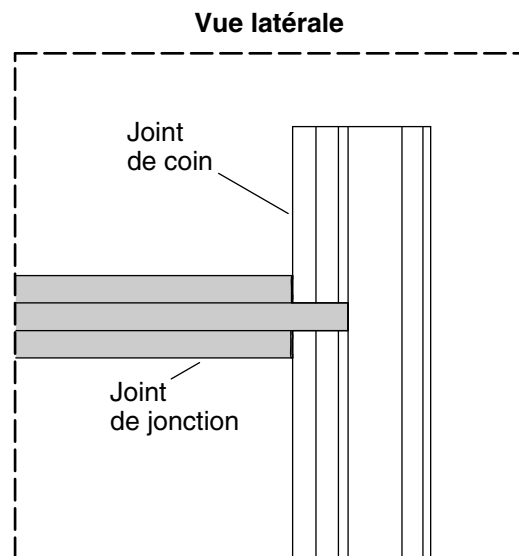
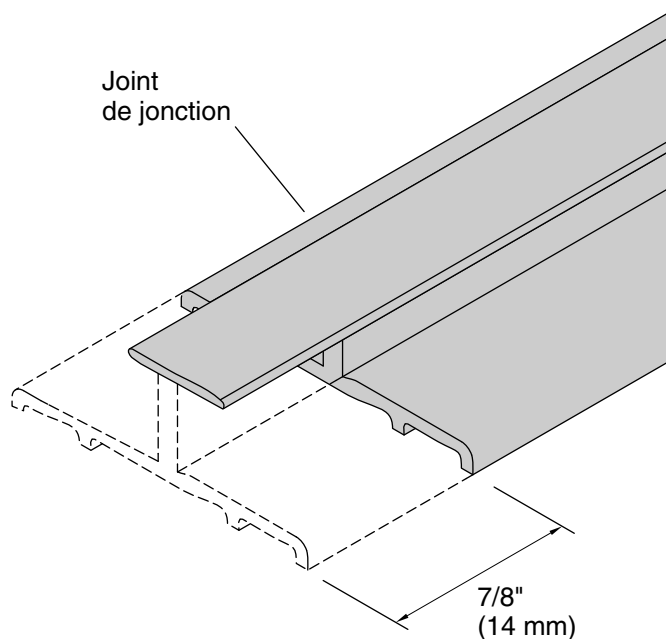
13. Installer les panneaux muraux latéraux sans joints

REMARQUE: Utiliser de l'adhésif à la silicone si les panneaux sont installés sur du carrelage. Utiliser de l'adhésif de construction pour baignoire et douche pour les autres applications.

- Appliquer de l'adhésif sur le panneau mural latéral dans un motif circulaire. Les boudins de l'adhésif doivent être espacés de 5" (127 mm) à 7" (178 mm).
- Appliquer un boudin d'adhésif de construction le long des bords du panneau mural latéral à 3/4" (19 mm) du bord.
- Mettre le panneau mural latéral en place à un léger angle en enfonçant le panneau de mur latéral dans le joint de coin, s'il est installé.
- Pousser le panneau contre le mur brut. Appuyer fermement et de manière uniforme à travers le mur au complet. Le panneau doit entrer en contact avec le mur brut le long de toute la surface.
- Retirer l'excès de mastic avec le doigt.

REMARQUE: Il sera peut-être nécessaire de poser des renforts pour maintenir le panneau en place, en fonction du matériau de mur et de l'adhésif utilisés.

- Lors d'une installation sur du carrelage, utiliser un renfort temporaire pour fixer chaque panneau mural en place pendant 48 heures pour permettre une adhésion complète.
- Répéter ces étapes avec le deuxième côté de l'enceinte.



14. Préparer les joints de jonction

Installation avec les joints de coins

- Déterminer la longueur de joint de jonction requise en mesurant la largeur du panneau mural latéral et en laissant une longueur suffisante pour prolonger 7/8" (14 mm) dans le canal du joint de coin.

REMARQUE: Pour couper le joint de jonction, il est recommandé d'utiliser un petit outil rotatif avec une meule.

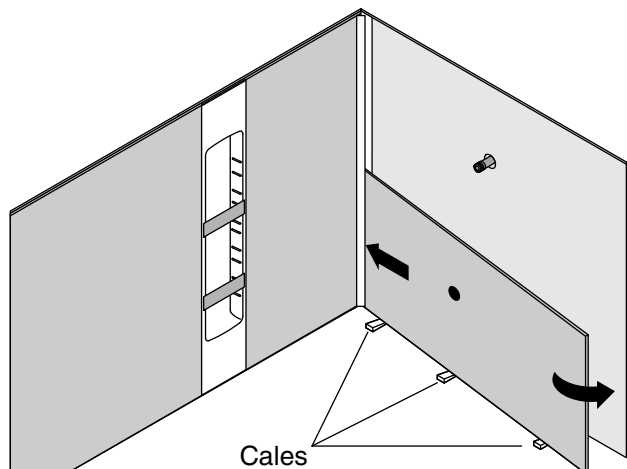
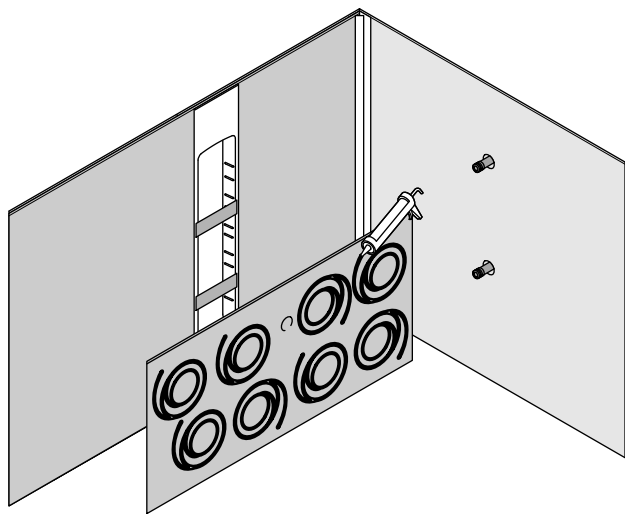
- Couper le joint de jonction à la longueur requise.
- Couper l'extrémité du joint de jonction à l'emplacement où il entre en contact avec le joint de coin, comme sur l'illustration.

Installation sans les joints de coins

- Déterminer la longueur de joint de jonction requise en mesurant la largeur du panneau mural latéral.

REMARQUE: Pour couper le joint de jonction, il est recommandé d'utiliser un petit outil rotatif avec une meule.

- Couper le joint de jonction à la longueur requise.

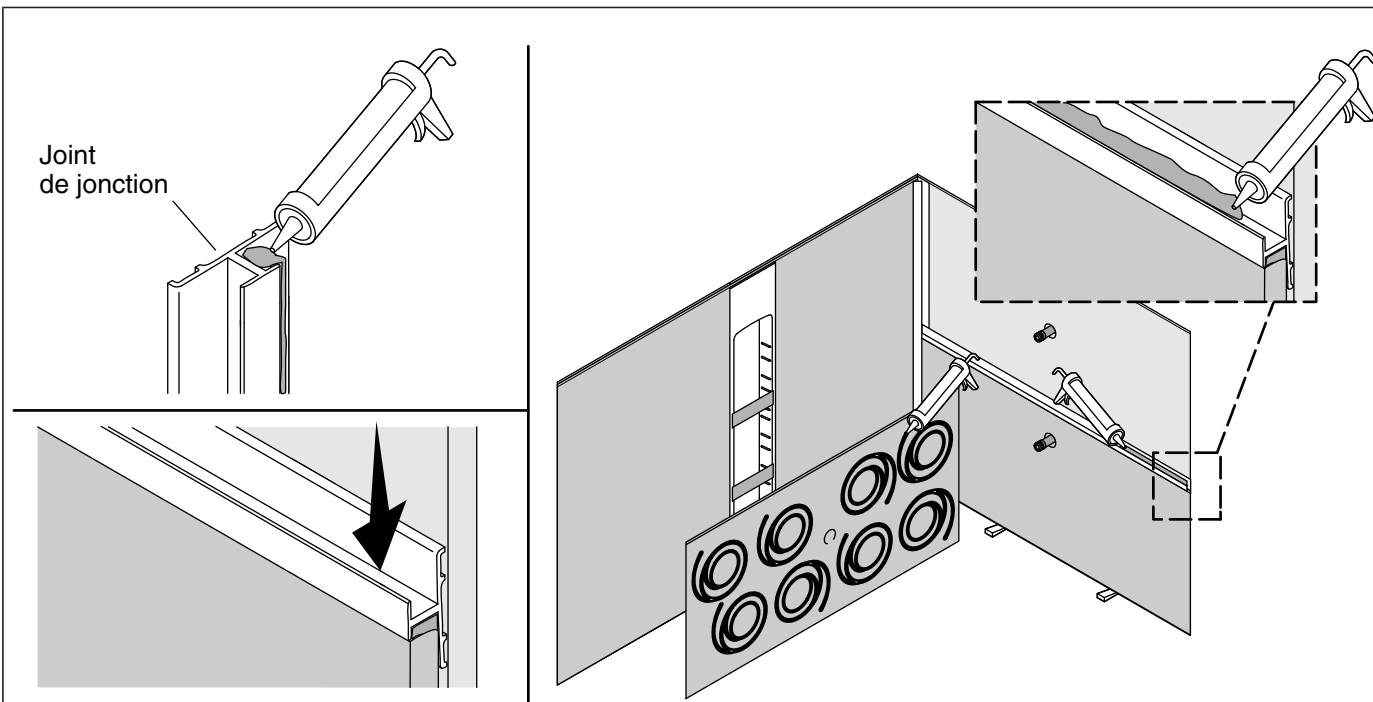


15. Installer les panneaux muraux latéraux sans joints

REMARQUE: Utiliser de l'adhésif à la silicone si les panneaux sont installés sur du carrelage. Utiliser de l'adhésif de construction pour baignoire et douche pour les autres applications.

- Appliquer de l'adhésif sur le panneau mural latéral dans un motif circulaire. Les boudins de l'adhésif doivent être espacés de 5" (127 mm) à 7" (178 mm).
- Appliquer un boudin d'adhésif de construction le long des bords du panneau mural latéral à 3/4" (19 mm) du bord.
- Mettre le panneau mural latéral en place à un léger angle en enfonçant le panneau mural latéral dans le joint de coin, s'il est installé.
- Pousser le panneau contre le mur brut. Appuyer fermement et de manière uniforme à travers le mur au complet. Le panneau doit entrer en contact avec le mur brut le long de toute la surface.

REMARQUE: Il sera peut-être nécessaire de poser des renforts pour maintenir le panneau en place, en fonction du matériau de mur et de l'adhésif utilisés.



16. Installer le deuxième panneau mural latéral

Installer le joint de jonction

- Remplir un canal du joint de jonction avec du mastic à la silicone de couleur assortie.
- Installer le joint de jonction dans le panneau mural latéral installé. Si des joints de coins ont été installés, enfoncer le joint de jonction dans le joint de coin.
- Appliquer du mastic à la silicone de couleur assortie sur le deuxième canal du joint de jonction.

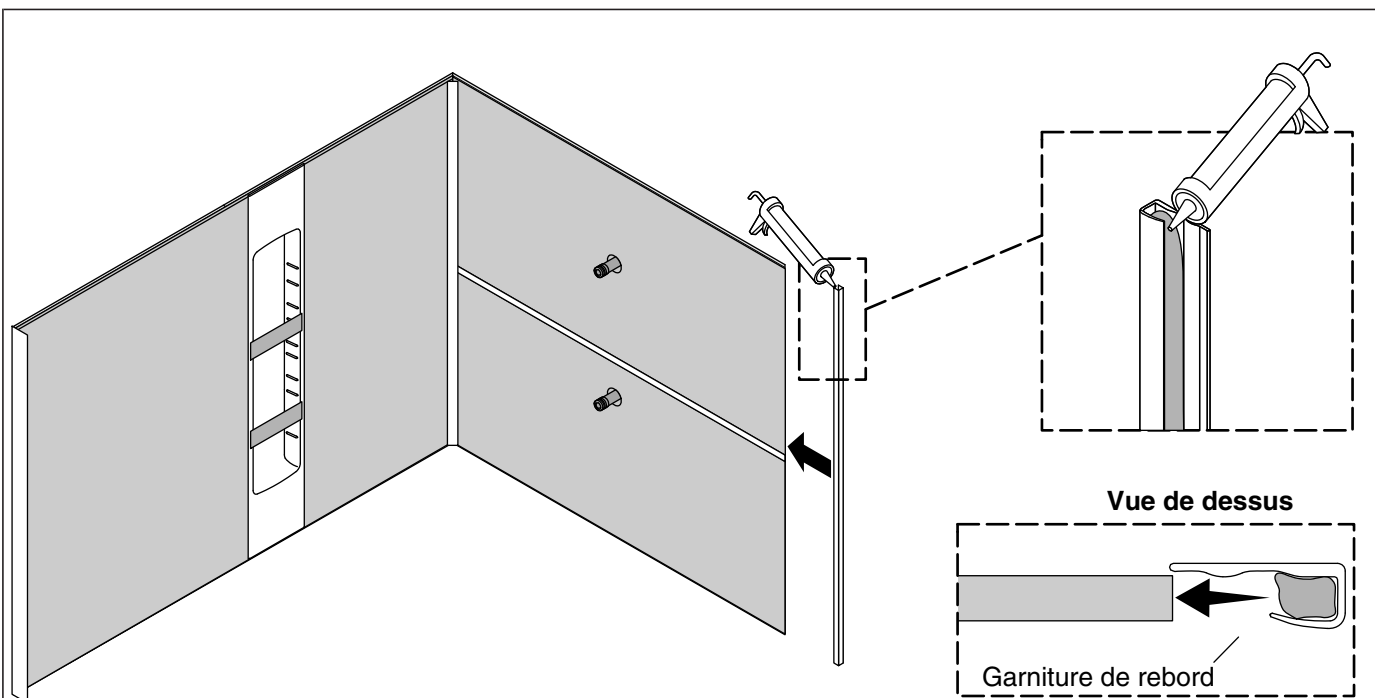
Installer le deuxième panneau mural latéral

REMARQUE: Utiliser de l'adhésif à la silicone si les panneaux sont installés sur du carrelage. Utiliser de l'adhésif de construction pour baignoire et douche pour les autres applications.

- Appliquer de l'adhésif sur le panneau mural de la même manière que pour le premier panneau mural. Les boudins de l'adhésif doivent être espacés de 5" (127 mm) à 7" (178 mm).
- Appliquer un boudin d'adhésif de construction le long des bords du panneau mural latéral à 3/4" (19 mm) du bord.
- Amener le panneau mural latéral en position en enfonçant d'abord le panneau mural latéral dans le joint de jonction, puis en glissant le panneau mural dans le joint de coin s'il est installé.
- Pousser le panneau contre le mur brut. Appuyer fermement et de manière uniforme à travers le mur au complet. Le panneau doit entrer en contact avec le mur brut le long de toute la surface.
- Retirer l'excès de mastic avec le doigt.

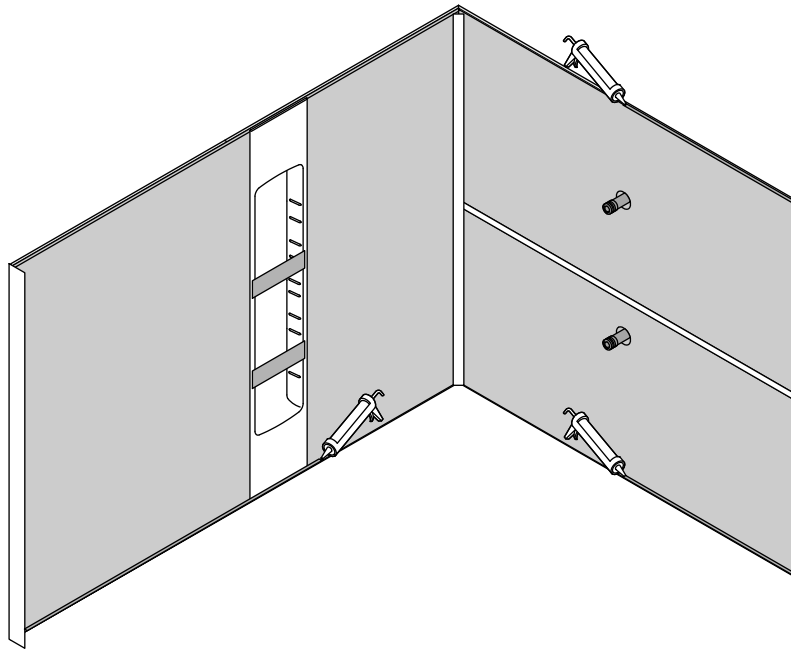
REMARQUE: Il sera peut-être nécessaire de poser des renforts pour maintenir le panneau en place, en fonction du matériau de mur et de l'adhésif utilisés.

- Lors d'une installation sur du carrelage, utiliser un renfort temporaire pour fixer chaque panneau mural en place pendant 48 heures pour permettre une adhésion complète.
- Répéter ces étapes avec le deuxième côté de l'enceinte.



17. Installer la garniture de rebord (optionnel)

- Lors de l'installation de la garniture de rebord sur les rebords extérieurs du panneau mural, mesurer la hauteur du panneau mural.
- Transférer la mesure sur la garniture de rebord.
- Couper la garniture de rebord.
- Appliquer du mastic à la silicone de couleur assortie sur le canal de la garniture de rebord.
- Installer la garniture de rebord sur le rebord extérieur du panneau mural.
- Répéter la procédure pour le deuxième côté.
- Retirer l'excès de mastic avec le doigt.



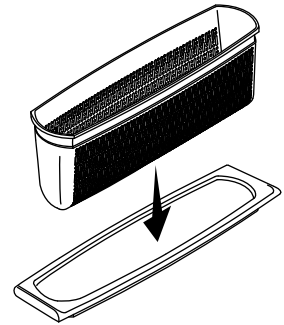
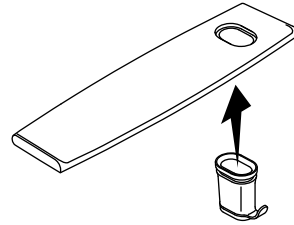
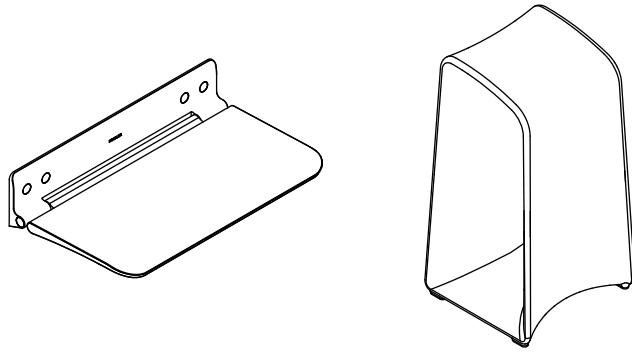
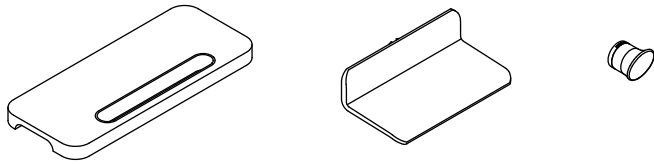
18. Sceller l'enceinte

IMPORTANT! Pour mieux assurer l'adhésion, laisser les panneaux et le casier sécher entre 24 et 48 heures avant de sceller. Le scellement du haut ou du bas restreint le débit d'air et se traduit par un temps de séchage plus long.

- Appliquer du mastic sur les joint supérieurs à l'emplacement où les panneaux entrent en contact avec le mur brut.
- Appliquer du mastic sur les joints inférieurs à l'emplacement où les panneaux entrent en contact avec la baignoire ou le receveur de douche.

REMARQUE: Attendre 24 heures avant de prendre une douche ou de faire couler l'eau.

- Retirer le ruban de l'ensemble casier une fois que l'adhésif et le mastic de l'ensemble casier et des murs ont séché.



19. Terminer l'installation

- Installer tous les accessoires conformément aux instructions d'installation qui les accompagnent.
- Préparer les étagères avec les accessoires.
- Enfoncez le crochet dans l'étagère comme sur l'illustration ci-dessus.
- Enfoncez le panier dans l'étagère comme sur l'illustration ci-dessus.
- CONSEIL:** Lors de la préparation des deux étagères, utiliser de l'eau et du savon pour faciliter le guidage du crochet et du panier dans les étagères.
- Installer les étagères dans l'ensemble casier.

Entretien et nettoyage

Pour obtenir les meilleurs résultats possibles, prendre ce qui suit en considération lors de l'entretien de votre produit KOHLER:

- Toujours tester la solution de nettoyage sur une surface non visible avant de l'appliquer sur l'ensemble de la surface. Éviter d'utiliser des produits aérosols.
- Essuyer les surfaces et rincer complètement avec de l'eau immédiatement après l'application du nettoyant. Rincer et sécher tout éclaboussement sur les surfaces avoisinantes.
- Ne pas laisser les nettoyeurs tremper sur les surfaces.
- Utiliser une éponge ou un chiffon doux et humide. Ne jamais utiliser de matériau abrasif tel qu'une brosse ou une éponge à récurer pour nettoyer les surfaces.
- La technique idéale de nettoyage est de bien rincer et de sécher toute eau de la surface après chaque usage.

Pour obtenir des informations détaillées sur le nettoyage et les produits à considérer, consulter le site www.kohler.com/clean. Pour commander des informations sur l'entretien & le nettoyage, appeler le 1-800-456-4537.

Garantie

KOHLER® Garantie limitée – Parois et accessoires Choreograph™

Kohler Co. garantit tous les produits Choreograph™ (y compris les accessoires Choreograph™) contre tous défauts de matériau et de fabrication lors d'une utilisation domestique normale sur une période de dix (10) ans à partir de la date de vente. Si un produit ou accessoire Choreograph™ est utilisé à des fins commerciales ou s'il est installé hors des États-Unis d'Amérique, du Canada ou du Mexique, Kohler Co. garantit le produit ou l'accessoire Choreograph™ contre tous défauts de matériaux et de fabrication lors d'une utilisation normale sur une période de trois (3) ans à partir de la date de vente.

Si l'inspection par Kohler Co. de votre produit ou accessoire Choreograph™ dévoile un défaut de matériau ou de fabrication au cours de la période de couverture applicable mentionnée ci-dessus, Kohler Co. procédera, à son gré, aux réparations, au remplacement ou à l'ajustement approprié. Kohler Co. n'est pas responsable des frais de main-d'œuvre, d'installation ou de tout autre frais particulier, accessoire ou indirect. La responsabilité de Kohler Co. ne dépassera en aucun cas le prix d'achat du produit ou de l'accessoire Choreograph™. Les dommages causés par une manipulation incorrecte, une installation erronée ou un entretien non adéquat ne sont pas considérés comme étant des vices de fabrication, et ne sont pas couverts par la présente garantie. Cette garantie est valide pour l'acquéreur d'origine uniquement. Une preuve d'achat (ticket de caisse d'origine) doit être présentée à Kohler Co. avec toutes les réclamations au titre de la garantie.

Pour obtenir le service de garantie, s'adresser à Kohler Co., par l'intermédiaire de l'entrepreneur de plomberie, du centre de rénovation, du marchand en gros, du concessionnaire, ou du revendeur par Internet, ou bien par écrit à l'adresse suivante Kohler Co., Attn.: Customer Care Center, 444 Highland Drive, Kohler, Wisconsin 53044, 1-800-4KOHLER (1-800-456-4537) à partir des É.-U. et du Canada, et 001-800-456-4537 à partir du Mexique, ou consulter le site www.kohler.com aux É.-U., www.ca.kohler.com au Canada, ou www.mx.kohler.com au Mexique.

DANS LA MESURE PRÉVUE PAR LA LOI, TOUTES LES GARANTIES TACITES, Y COMPRIS CELLES DE COMMERCIALITÉ ET D'ADAPTATION À UN USAGE PARTICULIER, SONT PAR LA PRÉSENTE REJETÉES. KOHLER CO. ET LE REVENDEUR DÉCLINENT PAR LES PRÉSENTES TOUTE RESPONSABILITÉ EN CAS DE DOMMAGES PARTICULIERS, ACCESSOIRES OU INDIRECTS.

Certains états et provinces ne permettent pas de limite sur la durée de la garantie tacite, ni l'exclusion ou la limite des dommages particuliers, accessoires ou indirects, et, par conséquent, lesdites limites et exclusions peuvent ne pas s'appliquer à votre cas. Cette garantie vous donne des droits juridiques particuliers. Vous pouvez également avoir d'autres droits qui varient d'un État ou d'une province à l'autre.

Ceci constitue la garantie écrite exclusive de Kohler Co.

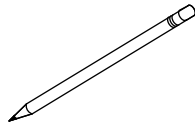
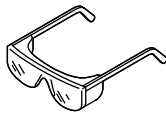
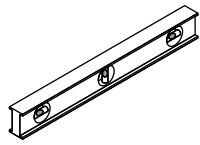
Guía de instalación y cuidado

Estantería con paneles murales y uniones

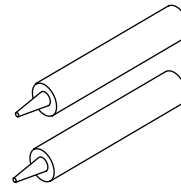
Contenido

Herramientas y materiales	2
Antes de comenzar	2
Planee la instalación	4
Prepare el sitio	5
Mida componentes	6
Recorte la estantería y los paneles murales	8
Coloque preliminarmente la estantería y los paneles murales	10
Instale las juntas esquineras (opcional)	11
Instale el primer panel mural	12
Instale la primera junta de unión	13
Prepare la unidad de estantería	14
Instale la unidad de estantería	15
Instale la segunda junta de unión	16
Instale el segundo panel mural	17
Prepare las juntas esquineras (opcional)	18
Instale los paneles murales laterales sin juntas	19
Prepare las juntas de unión	20
Instale los paneles murales laterales con juntas	21
Instale el segundo panel mural lateral	22
Instale la guarnición de borde (opcional)	23
Selle el recinto	24
Termine de hacer la instalación	25
Cuidado y limpieza	25
Garantía	25

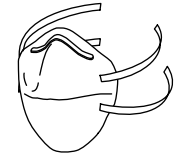
Herramientas y materiales



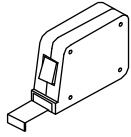
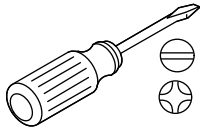
Trapos



1 a 2 tubos de sellador 100% de silicona de color igualado



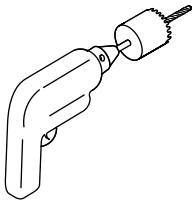
Protección al sistema respiratorio



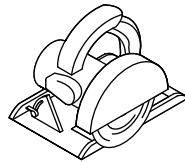
Cinta adhesiva plateada



Bloque con papel de lija



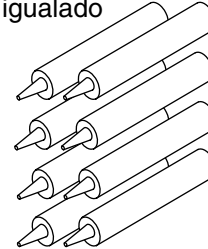
Taladro y corona perforadora (el tamaño varía)



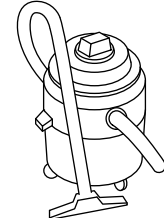
Sierra circular de 7-1/4" y cuchilla para mampostería



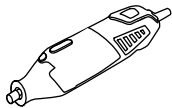
Alcohol desnaturalizado



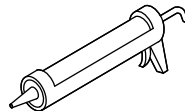
Más de 8 tubos de adhesivo de construcción no derivado de solventes (adhesivo de silicona si se instala sobre azulejo)



Aspiradora de taller



Herramienta rotativa de alta velocidad con disco de corte



Pistola de aplicación de masilla selladora



Sierra caladora o de vaivén con cuchilla con borde abrasivo y cuchilla de dientes finos

Más:

- Herramientas normales para trabajo en madera
- Refuerzos cargados a resorte o maderos (para crear el refuerzo)
- Caballetes
- Lona

Antes de comenzar



ADVERTENCIA: Riesgo de lesiones graves. Al cortar los paneles murales y la estantería tome las medidas de seguridad apropiadas, que incluyen el uso de protección al sistema respiratorio.



PRECAUCIÓN: Riesgo de lesiones graves. Siempre utilice anteojos de seguridad al cortar o taladrar.



PRECAUCIÓN: Riesgo de lesiones graves. Si el techo, o cielo raso, va a quedar recubierto con el material de los paneles murales, es necesario instalar los paneles del techo antes de instalar los paneles murales. Deje que pase suficiente tiempo para que la instalación en el techo o cielo raso se cure antes de instalar los paneles murales, ya que de lo contrario el material del techo podría caerse durante la instalación y ocasionar lesiones.

PRECAUCIÓN: Riesgo de daños al producto. Los paneles murales deben estar a la temperatura ambiente antes de cortarlos. Permita que la temperatura se estabilice si los paneles murales estaban en un ambiente frío.

¡IMPORTANTE! Se generará polvo al cortar los paneles murales y la estantería. El corte de los paneles murales y de la estantería debe hacerse a la intemperie o en un área bien ventilada.

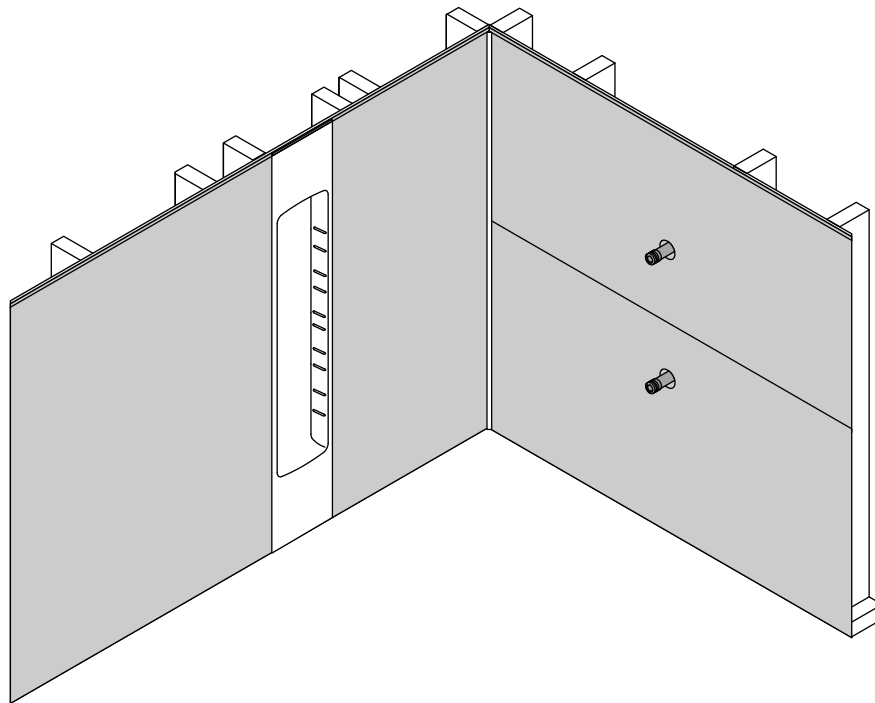
¡IMPORTANTE! Para obtener mejores resultados, corte los paneles murales con una cuchilla para mampostería. No use una cuchilla con dientes.

¡IMPORTANTE! Deje este manual para el usuario final.

Lea estas instrucciones antes de instalar o utilizar este producto.

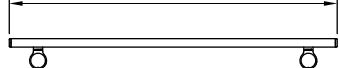
Antes de comenzar (cont.)

- En la estantería solo debe recortarse la altura. No corte los lados.
- Las paredes sin acabar actuales deben estar a menos de 3/8" (10 mm) de estar a plomo.
- La unidad de estantería debe reforzarse con maderos de 2x4 alrededor de toda la unidad.
- Use sellador de silicona del mismo color en las uniones y en las juntas.
- Cubra el receptor de ducha con una lona o con otro material protector para evitar daños.
- Siga las instrucciones de aplicación y de tiempo de curado del adhesivo de construcción y del sellador de silicona.
- Revise todos los componentes después de desempacarlos y antes de instalarlos, para ver si presentan daños.
- Se puede usar una rebajadora o fresadora para cortar los paneles murales y la unidad de estantería. La broca de la rebajadora o fresadora pierde el filo rápidamente.
- Si va a instalar los paneles sobre azulejos, raspe ligeramente los azulejos con papel de lija con grano 100 para que el contacto del adhesivo sea mejor.
- Si va a instalar accesorios, instale refuerzos de 2x4 para agarraderas, estantes y ganchos, y refuerzos de 2x10 para el asiento abatible.

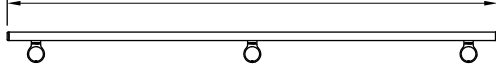


Accesorios

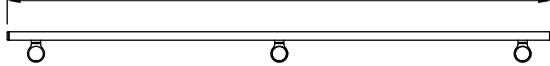
Agarradera de 24" (610 mm)



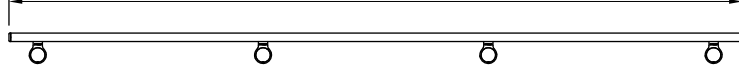
Agarradera de 36" (914 mm)



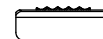
Agarradera de 40" (1016 mm)



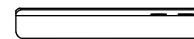
Agarradera de 54" (1372 mm)



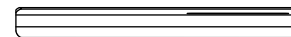
Estante



Estante



Estante



Asiento abatible



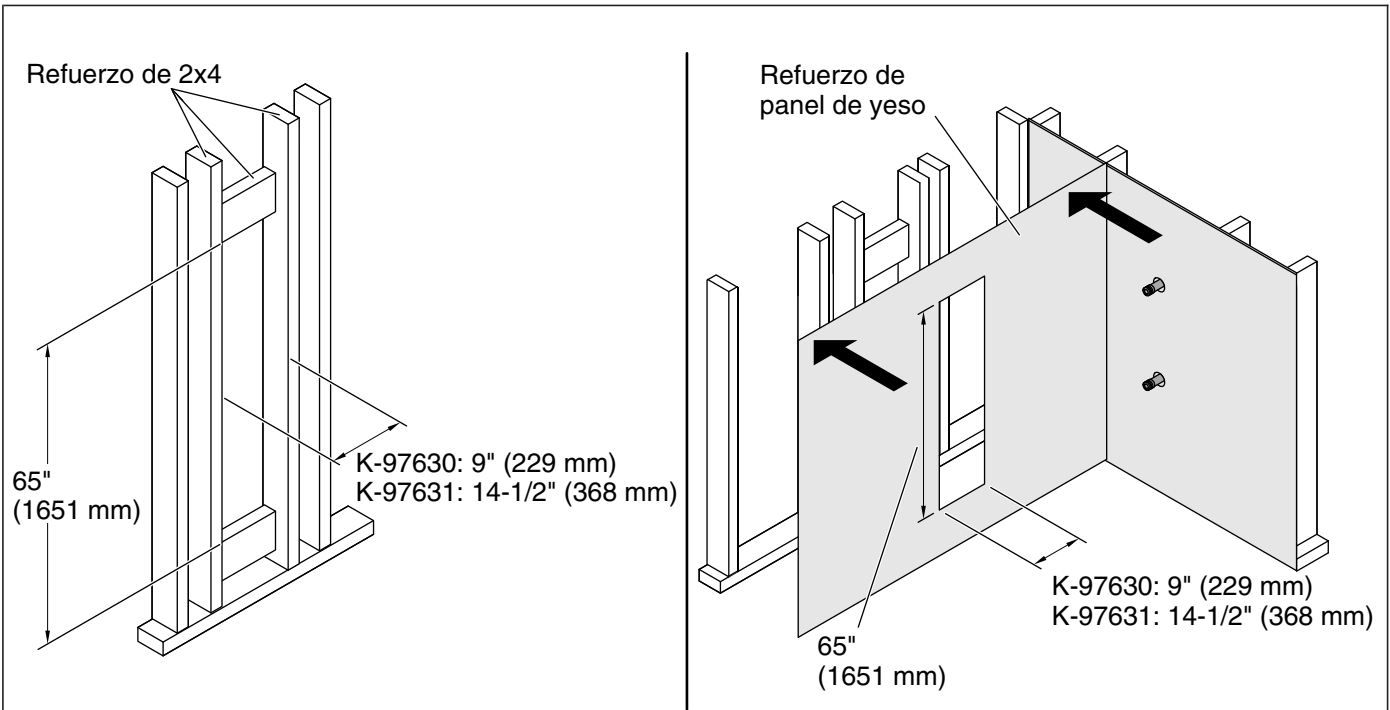
○ Gancho

Planee la instalación

NOTA: Determine qué accesorios va a instalar y dónde lo hará antes de instalar material de refuerzo de panel de yeso, ya que es posible que los accesorios requieran refuerzos de madera.

Instale todos los refuerzos que sean necesarios.

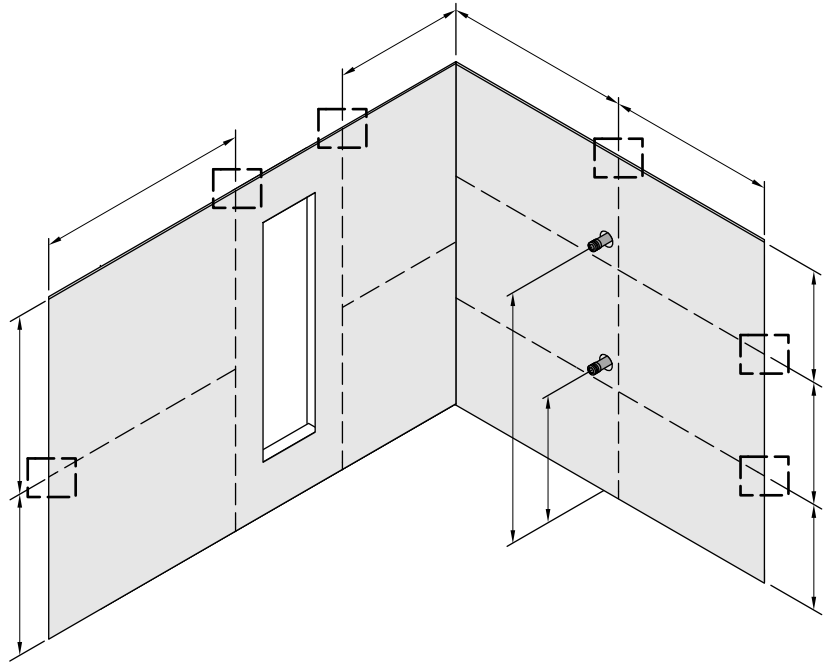
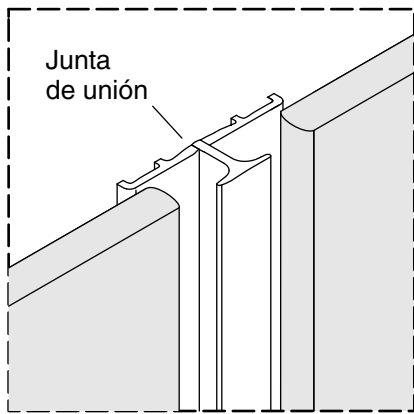
- Se requieren refuerzos de 2x4 para el gancho, a menos que se instale contra un poste de madera.
- Se requieren refuerzos de 2x4 para todas las agarraderas y para todos los estantes.
- Se requieren refuerzos de 2x10 para el asiento abatible.



1. Prepare el sitio

¡IMPORTANTE! Recomendamos material de refuerzo de panel de yeso resistente al agua.

- Instale el tendido de plomería para los componentes de la bañera y de la ducha.
- Verifique que los postes de madera estén a plomo. Los postes de madera deben estar a menos de 3/8" (10 mm) de estar a plomo; de ser necesario, coloque cuñas.
- Determine la altura del recinto y de la unidad de estantería.
- Instale refuerzos de 2x4 donde se vaya a colocar la unidad de estantería, de acuerdo a las dimensiones que se muestran arriba.
- Instale soporte de refuerzo para todos los accesorios que requieran soporte adicional. Consulte las necesidades específicas de instalación en las guías de instalación empacadas con cada producto.
- Instale material de refuerzo de panel de yeso sobre la abertura de la unidad de estantería con las mismas dimensiones que el recorte de los refuerzos de 2x4.



2. Mida componentes

- Determine si habrá uniones verticales u horizontales más allá de las esquinas.
- Haga un pedido de las juntas de unión opcionales que vaya a necesitar.
- Determine si se instalarán juntas de borde.
- Haga un pedido de las juntas de borde opcionales que vaya a necesitar.

Medición del panel mural posterior

- Mida el área de instalación para determinar las dimensiones de corte de los paneles.
- Reste $1/16''$ (2 mm) del ancho de cada uno de los paneles murales para las juntas de unión de la unidad de estantería.
- Reste $1/16''$ (2 mm) de la altura o del ancho de los paneles murales por cada junta de unión adicional.
- Reste la mitad del ancho total de la unidad de estantería del ancho de cada panel posterior.
- Si se van a instalar juntas esquineras, reste $1/16''$ (2 mm) del ancho de los paneles posteriores en cada junta esquinera.
- Marque las líneas de corte en el lado posterior del panel posterior.

Medición de paneles murales laterales

- Si se van a instalar juntas esquineras, antes de cortar reste $5/16''$ (8 mm) del ancho de cada panel mural lateral.
- Reste $1/16''$ (2 mm) de la altura o del ancho de cada panel mural por cada junta de unión que se vaya a instalar.
- Anote el lugar para la manija, la cabeza de ducha, el surtidor de la bañera, y otros componentes.
- Marque las líneas de corte en el lado posterior de los paneles murales laterales.

Opcional: Instalación con paneles de techo

Mida componentes (cont.)

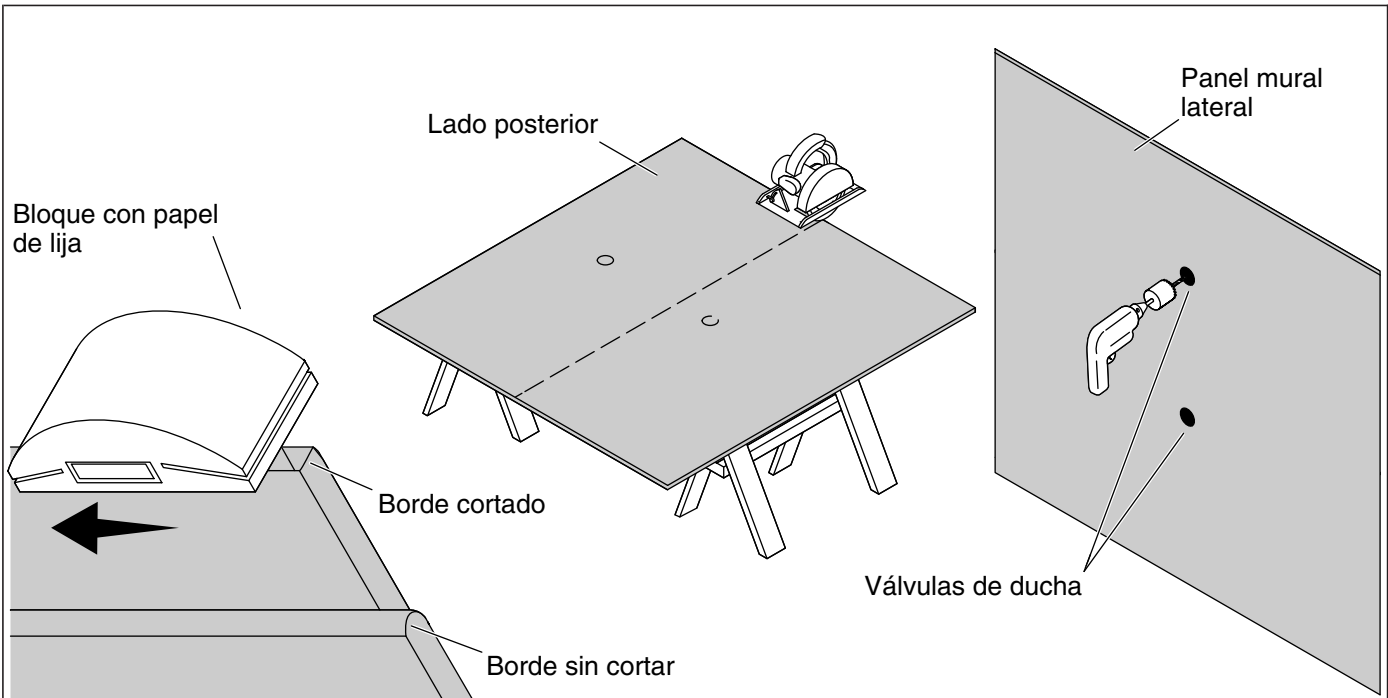


PRECAUCIÓN: Riesgo de lesiones. Instale el panel de techo antes de instalar los paneles murales. Deje que se cure el adhesivo antes de instalar los paneles.

- Si se va a cubrir el techo con material de panel, mida y corte el panel de techo al tamaño adecuado.
- Construya una estructura de refuerzo, o use estructuras de refuerzo comerciales, para sostener el material del techo o cielo raso en su lugar mientras se cura el adhesivo.

NOTA: Recomendamos usar adhesivo derivado del poliuretano para el panel de techo.

- Aplique adhesivo de construcción al material del techo como se indica en la sección "Instale el primer panel mural".
- Con alguien que le ayude, levante con cuidado el panel de techo hasta su lugar.
- Sujete el panel apretado contra el techo, y deje que se cure el adhesivo de acuerdo a las instrucciones del mismo.



3. Recorte la estantería y los paneles murales

Colocación de panel mural cortado

¡IMPORTANTE! El borde de corte del panel DEBE colocarse opuesto a la unión. El borde vertical de la unión DEBE acoplarse a un borde moldeado biselado sin cortar en el panel.

- Se puede usar una junta de unión entre paneles, pero los requisitos para la ubicación del borde recortado siguen en pie.

Corte de paneles murales y estantería

¡IMPORTANTE! Recomendamos cortar los paneles con una sierra circular y con una rueda abrasiva o con una cuchilla abrasiva para mampostería.

¡IMPORTANTE! No corte los lados de la unidad de estantería. Solo recorte la parte superior o inferior para ajustarse a la altura del panel mural.

¡IMPORTANTE! La unidad de estantería debe colocarse con las ranuras para estantes anguladas hacia arriba. Si la unidad de estantería se coloca de cabeza, los estantes se caerán.

- Coloque el panel mural posterior de cara hacia abajo sobre un atril o caballetes cubiertos con material protector.
- Corte el panel a las dimensiones requeridas. Use una sierra caladora eléctrica o de vaivén, con cuchilla con borde abrasivo, para los cortes de contorno.
- Repita el procedimiento con los paneles murales laterales.

NOTA: Antes de cortar, retire todas las películas protectoras de la superficie de la unidad de estantería.

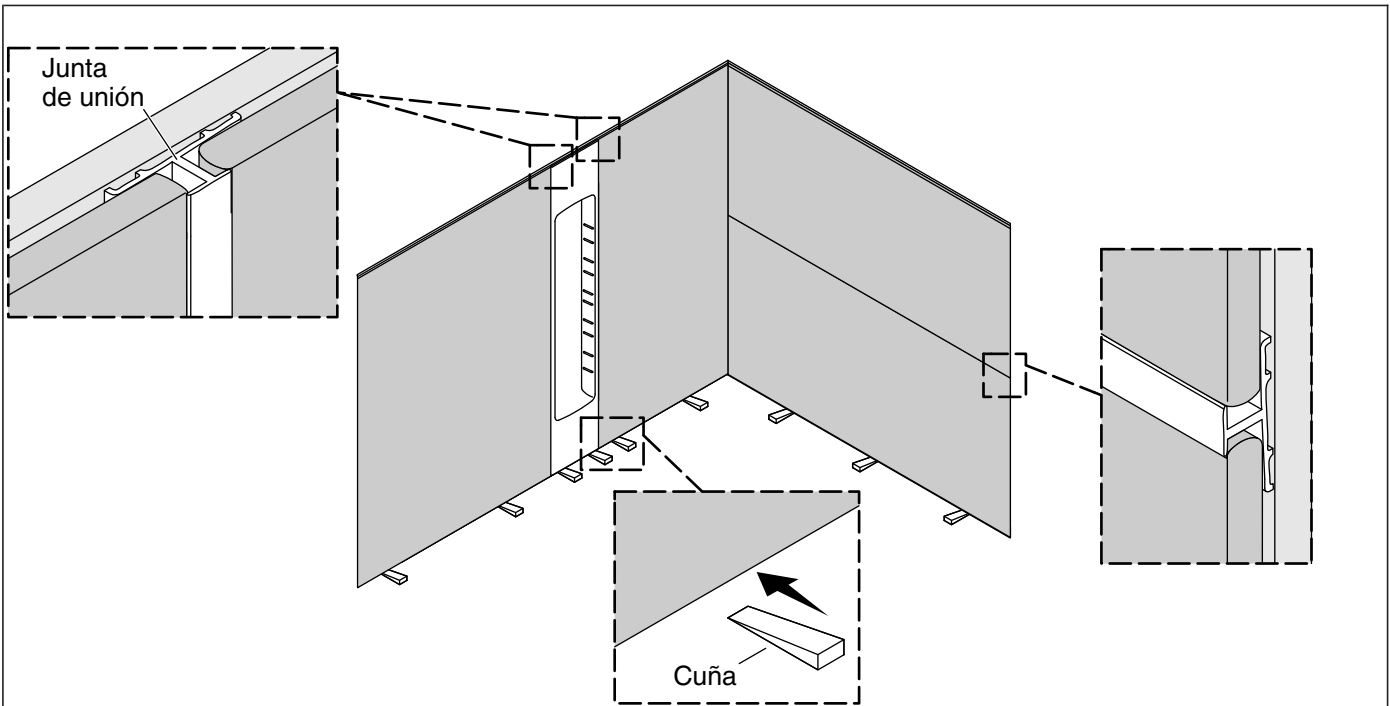
- Corte la unidad de estantería a las dimensiones requeridas con una cuchilla de dientes finos.
- Desde el lado delantero del panel, use una broca tipo corona perforadora para cortar los orificios para las válvulas y otros componentes de la ducha.

¡IMPORTANTE! Es crítico que las paredes y los paneles estén limpios para que el adhesivo forme un fuerte enlace.

- Retire el exceso de material y alise los bordes ásperos con un bloque con papel de lija.

Recorte la estantería y los paneles murales (cont.)

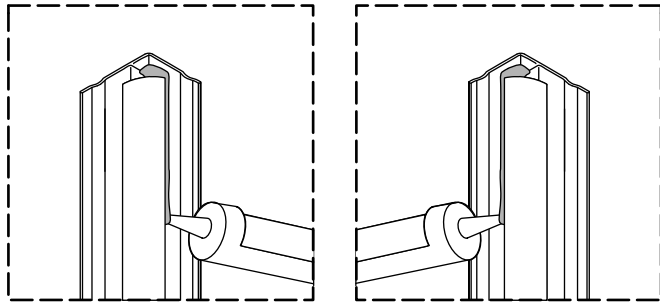
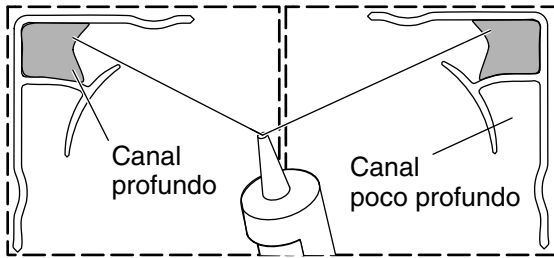
- Limpie la parte posterior de los paneles murales y de la unidad de estantería con alcohol desnaturalizado.



4. Coloque preliminarmente la estantería y los paneles murales

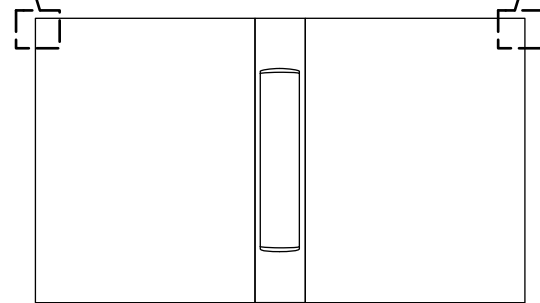
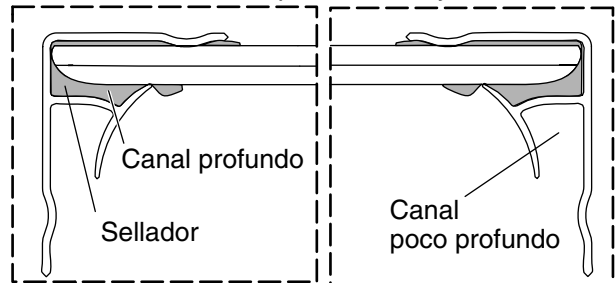
- Coloque preliminarmente las juntas esquineras a los paneles posteriores, si las va a instalar. Consulte "Instale las juntas esquineras (opcional)" a la orientación correcta.
- Coloque preliminarmente la unidad de estantería, las juntas de unión, los paneles posterior y laterales con cuñas, para confirmar que ajusten bien. Haga los ajustes necesarios.
- Retire los paneles y la unidad de estantería.
- Retire las juntas de unión y las juntas esquineras.

Vista superior



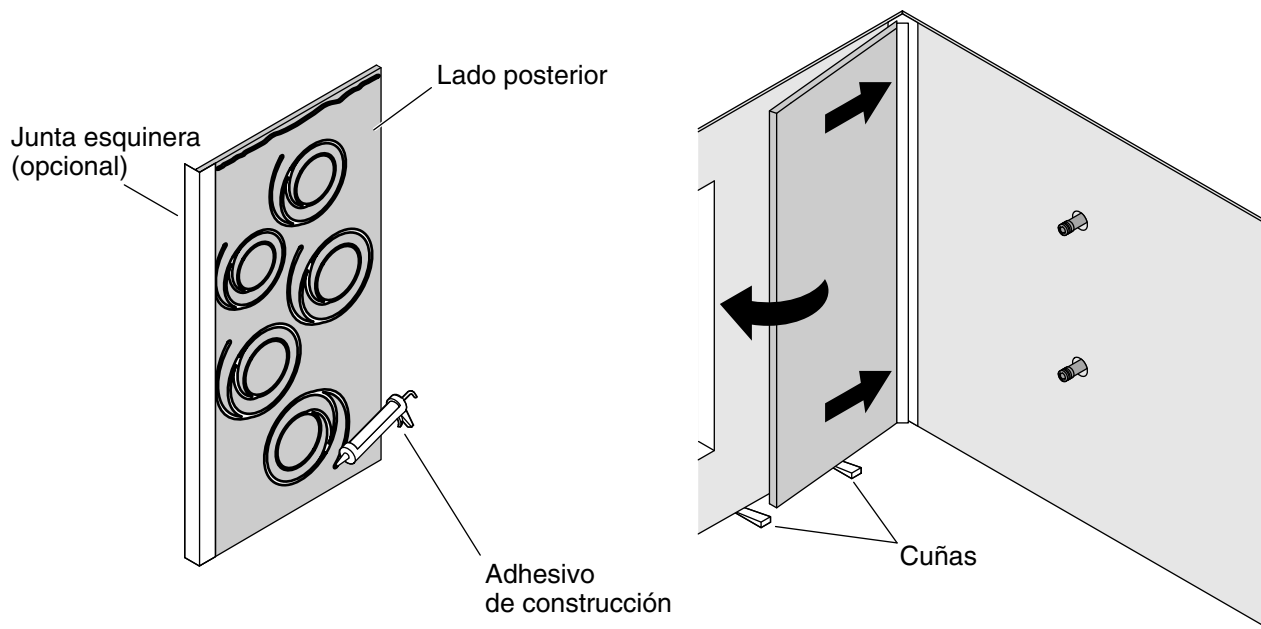
Vista superior

Panel mural posterior con juntas



5. Instale las juntas esquineras (opcional)

- Mida la altura del panel posterior.
- Corte la junta esquinera a la altura del panel posterior con una herramienta rotativa pequeña que tenga un disco de corte.
- Aplique sellador del mismo color en la ranura del canal profundo en la junta esquinera. Aplique suficiente sellador para llenar la 1/2 de la ranura.
- Instale el canal profundo de la junta esquinera en el lado del panel mural posterior.
- **No** aplique sellador ni instale la segunda junta esquinera mientras no esté listo para instalar el segundo panel mural posterior.



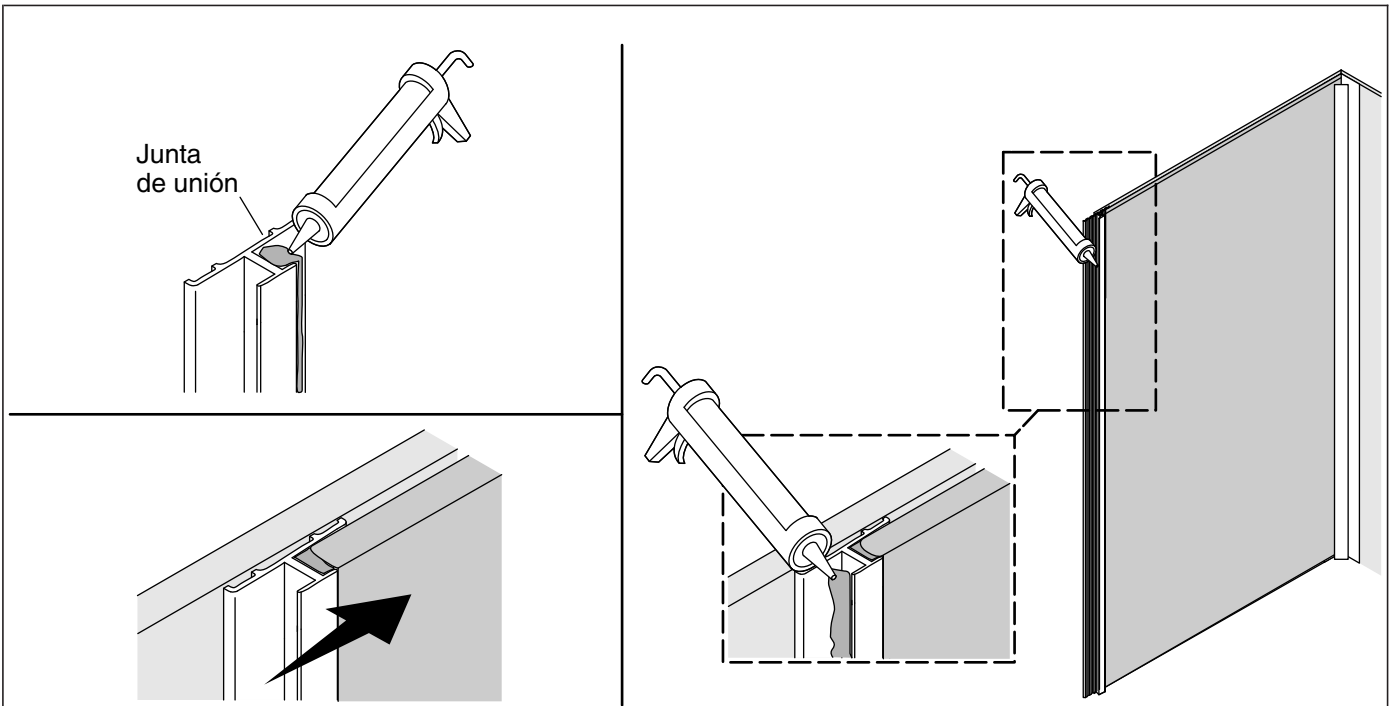
6. Instale el primer panel mural

NOTA: Use adhesivo de silicona si los paneles están siendo instalados sobre azulejo. Use adhesivo de construcción para bañeras y duchas en otras aplicaciones.

- Aplique adhesivo al panel mural posterior en un patrón circular. Los hilos continuos de adhesivo deben estar separados de 5" (127 mm) a 7" (178 mm) entre sí.
- Aplique un hilo continuo de adhesivo de construcción a lo largo del borde superior del panel mural posterior a 3/4" (19 mm) del borde.
- Mueva el panel mural posterior a su lugar a un ángulo ligero con la junta esquinera, si la tiene instalada, completamente contra la esquina.
- Empuje el panel contra la pared sin acabado. Oprima con firmeza y de manera uniforme en todo el panel. El panel debe hacer contacto completamente con la pared sin acabado.
- **CONSEJO:** Para quitar el exceso de sellador, rocíe alcohol desnaturalizado al área a ser limpiada y a su dedo. El alcohol desnaturalizado ayuda a quitar con mayor facilidad el sellador.
- Retire el exceso de sellador con el dedo.

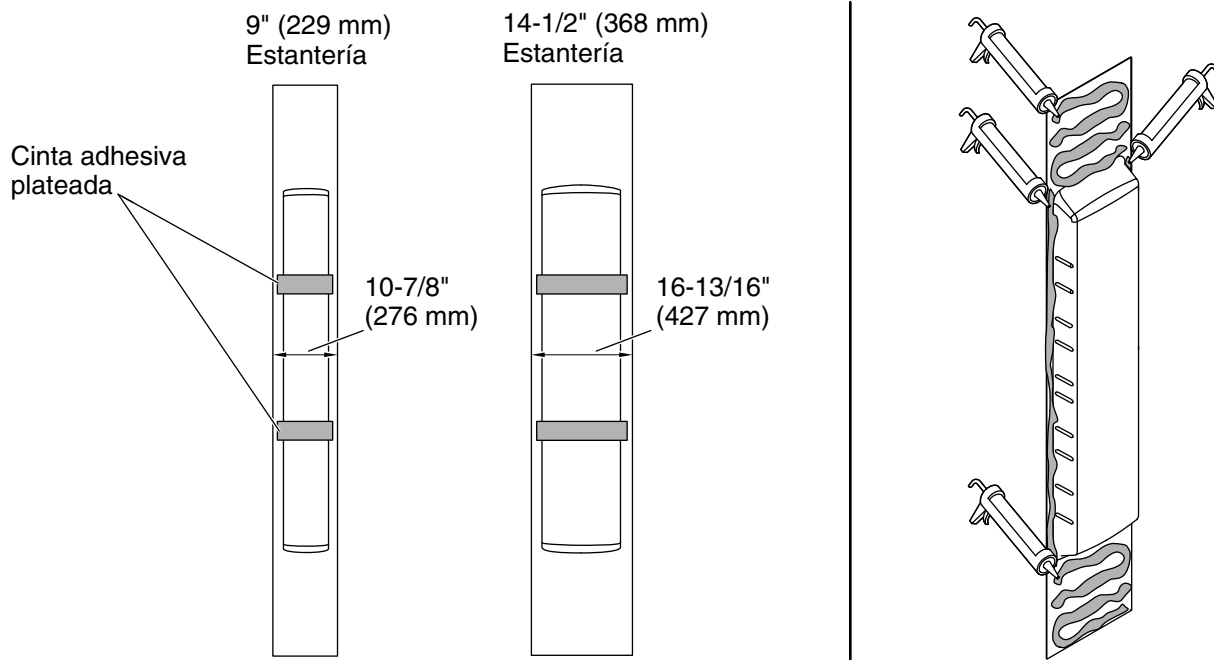
NOTA: Es posible que se requieran refuerzos para sostener el panel, de acuerdo al material de la pared y al adhesivo que se esté usando.

- Cuando instale sobre azulejo, use un refuerzo temporal para fijar cada panel mural en su lugar durante 48 horas, y que así la adhesión sea total.



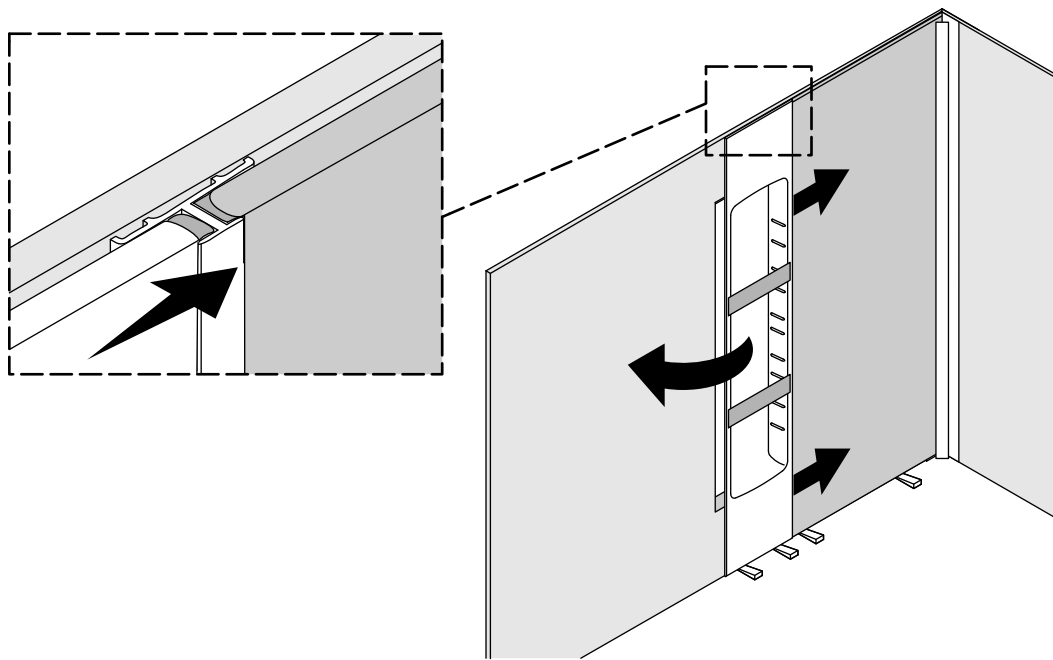
7. Instale la primera junta de unión

- Llene un canal en el lado de la pared de la junta de unión con sellador de silicona del mismo color.
- Instale la junta de unión en el panel mural posterior ya instalado.
- Aplique sellador de silicona del mismo color al segundo canal de la junta de unión cuando usted esté listo para instalar la unidad de estantería.



8. Prepare la unidad de estantería

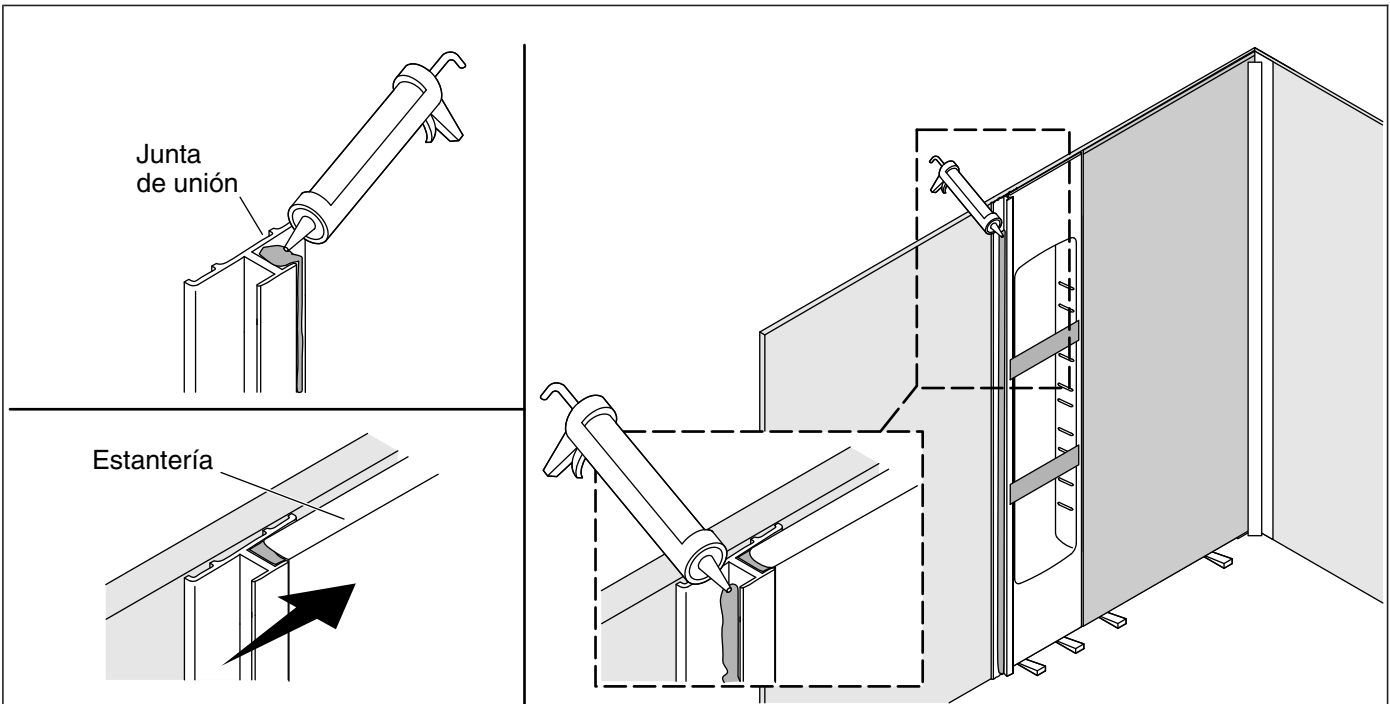
- Aplique dos pedazos de cinta adhesiva plateada a través del frente a la unidad de estantería, y jale los lados hacia dentro hasta que el centro de la unidad de estantería quede de las dimensiones que se indican arriba.
- Pruebe si queda el estante en los juegos de ranuras justo arriba y abajo de las áreas con cinta adhesiva de la unidad de estantería. Asegúrese de que el estante quede justo. Si el estante queda suelto, apriete la cinta adhesiva plateada a través de la unidad de estantería hasta que el estante quede justo.
- Deje la cinta adhesiva plateada en su lugar hasta el paso final de la instalación.
- **CONSEJO:** Es posible que el adhesivo derivado del uretano sea más efectivo para la adhesión de la unidad de estantería.
- Aplique bastante adhesivo de construcción para bañeras y duchas, o adhesivo de silicona, a la parte posterior de la unidad de estantería en la parte superior, inferior, y en los lados.



9. Instale la unidad de estantería

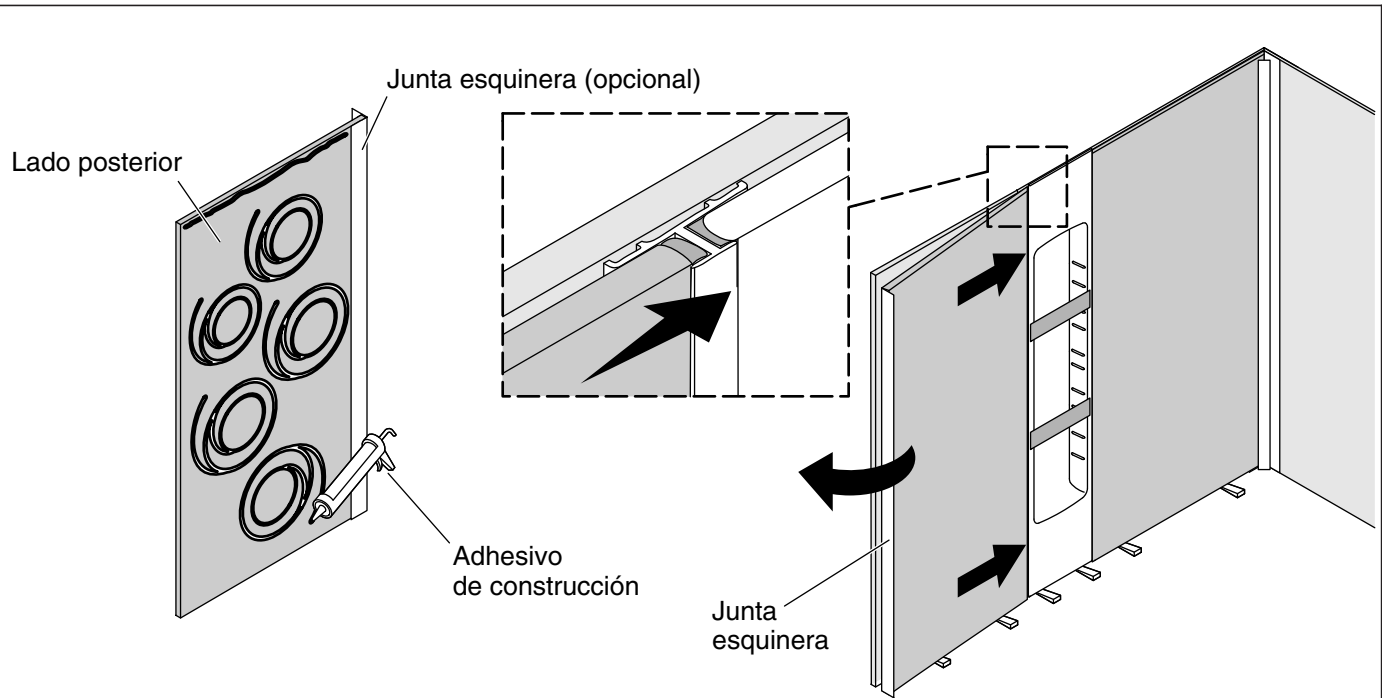
¡IMPORTANTE! La unidad de estantería debe colocarse con las ranuras para estantes anguladas hacia arriba. Si la unidad de estantería se coloca de cabeza, los estantes se caerán.

- Coloque la unidad de estantería en su lugar a un ligero ángulo.
- Empuje la unidad de estantería contra la junta de unión ya instalada y hacia la pared sin acabar. Oprima con firmeza y de manera uniforme toda la unidad de estantería.



10. Instale la segunda junta de unión

- Llene un canal en el lado de la estantería de la junta de unión con sellador de silicona del mismo color.
- Instale la junta de unión en la unidad de estantería ya instalada.
- Aplique sellador de silicona del mismo color al segundo canal de la junta de unión cuando usted esté listo para instalar el segundo panel mural posterior.



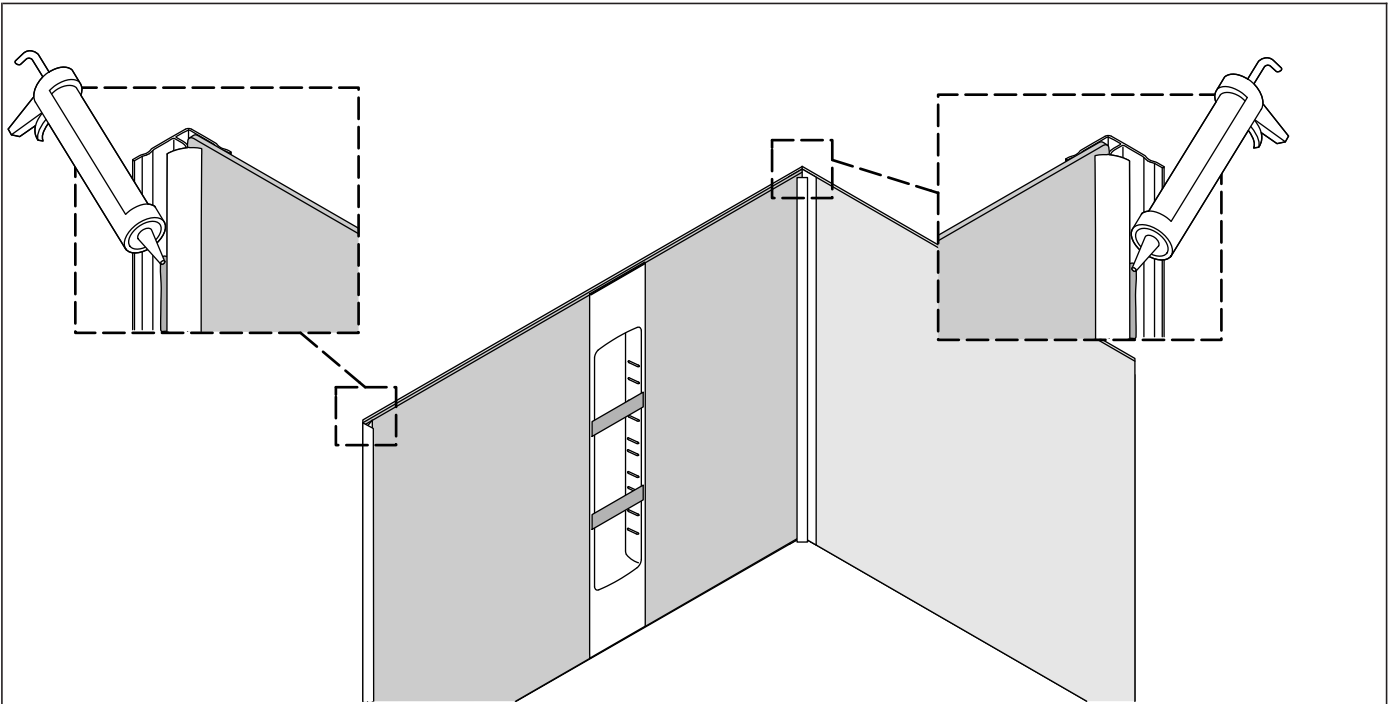
11. Instale el segundo panel mural

NOTA: Use adhesivo de silicona si los paneles están siendo instalados sobre azulejo. Use adhesivo de construcción para bañeras y duchas en otras aplicaciones.

- Aplique adhesivo de construcción o adhesivo de silicona al panel mural, de la misma forma que lo hizo al primer panel mural. Los hilos continuos de adhesivo deben estar separados de 5" (127 mm) a 7" (178 mm) entre sí.
- Aplique un hilo continuo de adhesivo de construcción a lo largo del borde superior del panel mural posterior a 3/4" (19 mm) del borde.
- Mueva el panel mural posterior a su lugar a un ángulo ligero con la junta esquinera oprimida contra la esquina, si está instalada.
- Empuje el panel contra la pared sin acabado. Oprima con firmeza y de manera uniforme en todo el panel. El panel debe hacer contacto completamente con la pared sin acabado.
- Empuje el panel contra la pared sin acabar y dentro de la junta de unión ya instalada. Oprima con firmeza y de manera uniforme en todo el panel. El panel debe hacer contacto con la pared sin acabado en toda el área.
- Confirme que la unidad de estantería haga contacto con las juntas de unión en toda el área.
- Retire el exceso de sellador con el dedo.

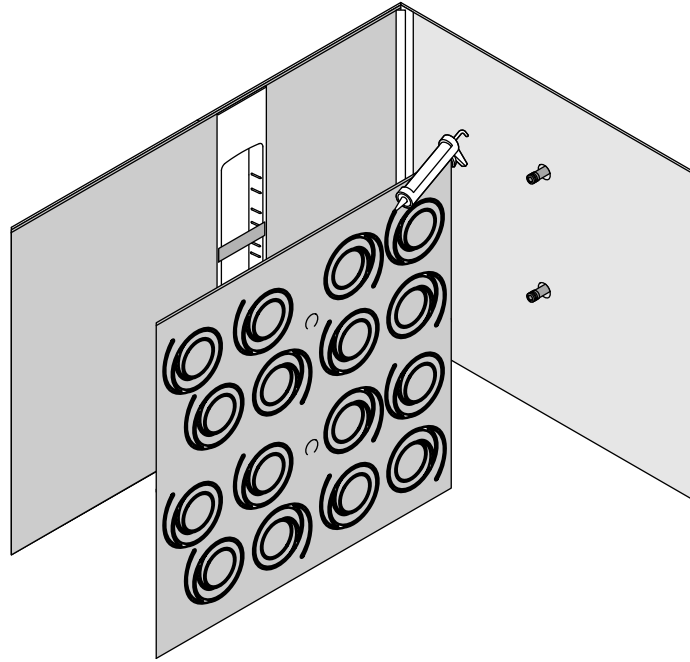
NOTA: Es posible que se requieran refuerzos para sostener el panel, de acuerdo al material de la pared y al adhesivo que se esté usando.

- Cuando instale sobre azulejo, use un refuerzo temporal para fijar cada panel mural en su lugar durante 48 horas, y que así la adhesión sea total.



12. Prepare las juntas esquineras (opcional)

- Aplique sellador del mismo color en la ranura del canal poco profundo en la junta esquinera. Aplique suficiente sellador para llenar la mitad de la ranura.
- **No** aplique sellador a la segunda junta esquinera mientras no esté listo para instalar el segundo panel mural posterior.



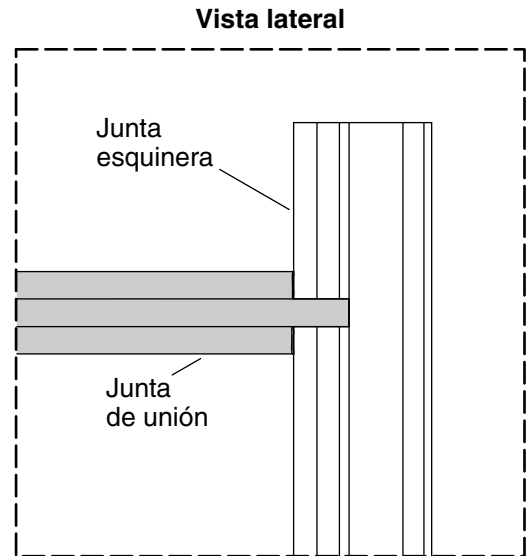
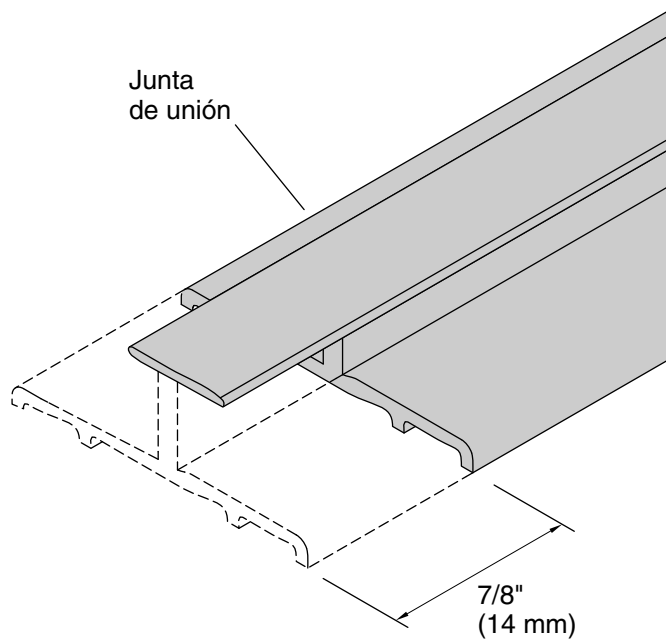
13. Instale los paneles murales laterales sin juntas

NOTA: Use adhesivo de silicona si los paneles están siendo instalados sobre azulejo. Use adhesivo de construcción para bañeras y duchas en otras aplicaciones.

- Aplique adhesivo al panel mural lateral en un patrón circular. Los hilos continuos de adhesivo deben estar separados de 5" (127 mm) a 7" (178 mm) entre sí.
- Aplique un hilo continuo de adhesivo de construcción a lo largo de los bordes del panel mural lateral a 3/4" (19 mm) del borde.
- Mueva el panel mural lateral a su lugar a un ángulo ligero, y oprima el panel mural lateral contra la junta esquinera, si está instalada.
- Empuje el panel contra la pared sin acabado. Oprima con firmeza y de manera uniforme en todo el panel. El panel debe hacer contacto con la pared sin acabado en toda el área.
- Retire el exceso de sellador con el dedo.

NOTA: Es posible que se requieran refuerzos para sostener el panel, de acuerdo al material de la pared y al adhesivo que se esté usando.

- Cuando instale sobre azulejo, use un refuerzo temporal para fijar cada panel mural en su lugar durante 48 horas, y que así la adhesión sea total.
- Repita estos pasos en el segundo lado del recinto.



14. Prepare las juntas de unión

Instalación con juntas esquineras

- Para determinar la longitud requerida de junta de unión, mida el ancho del panel mural lateral, y deje suficiente longitud para sobresalir 7/8" (14 mm) hacia el canal de la junta esquinera.

NOTA: Para recortar la junta de unión, recomendamos usar una pequeña herramienta rotativa con una rueda de corte.

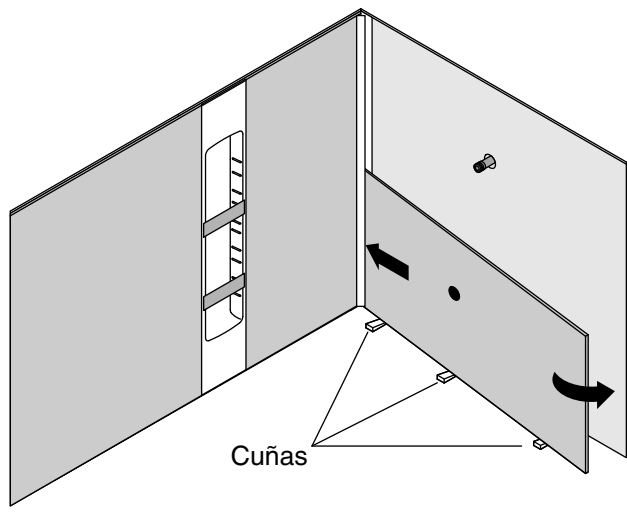
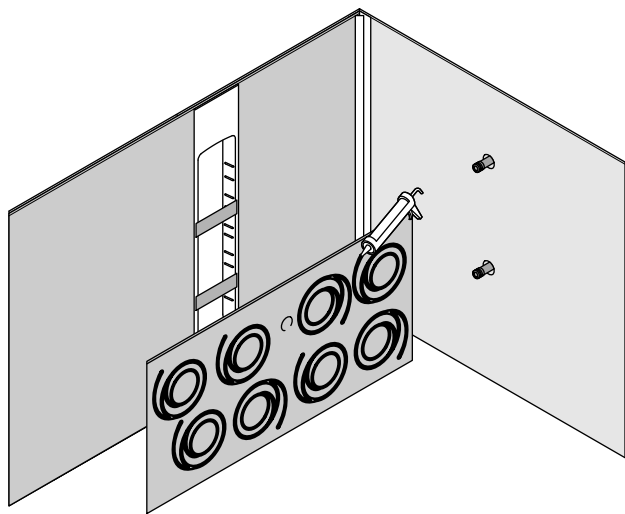
- Corte la junta de unión a la longitud requerida.
- Recorte el extremo de la junta de unión en el punto donde se encuentra con la junta esquinera, como se muestra.

Instalación sin juntas esquineras

- Para determinar la longitud requerida de la junta de unión, mida el ancho del panel mural lateral.

NOTA: Para recortar la junta de unión, recomendamos usar una pequeña herramienta rotativa con una rueda de corte.

- Corte la junta de unión a la longitud requerida.

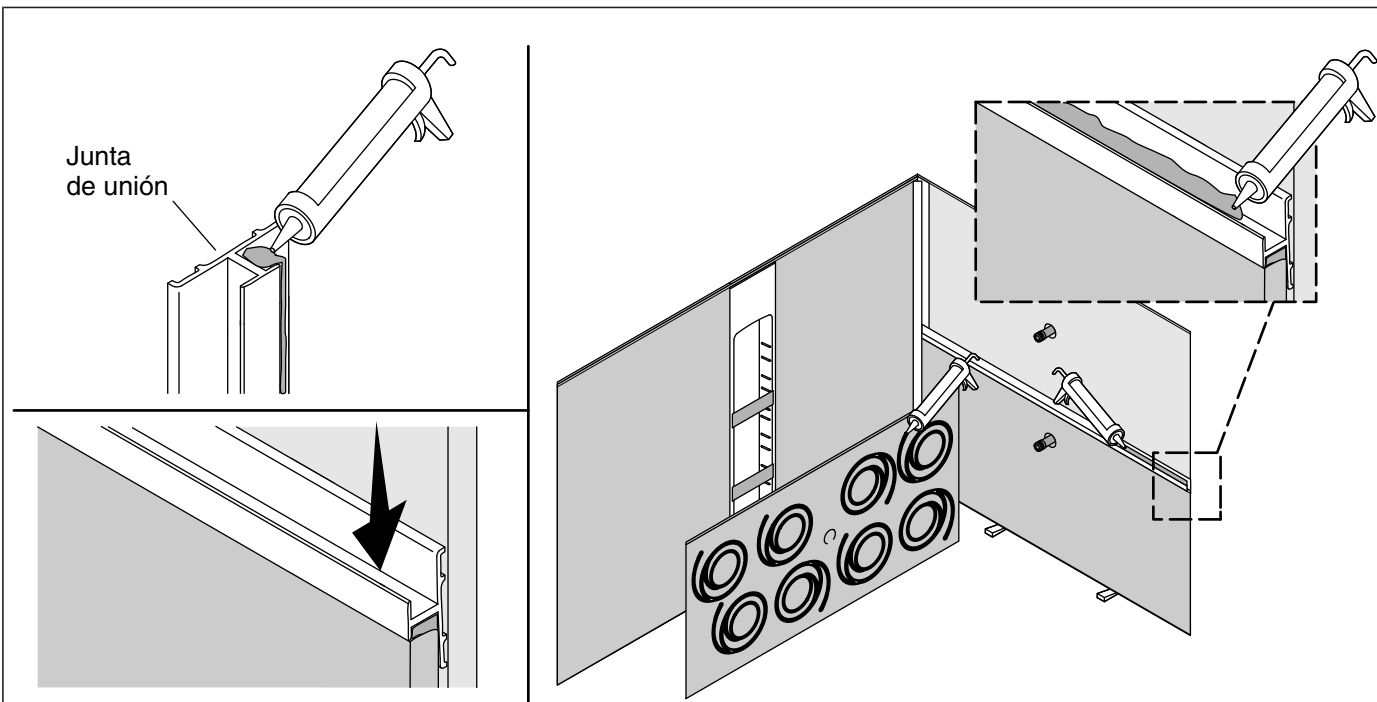


15. Instale los paneles murales laterales con juntas

NOTA: Use adhesivo de silicona si los paneles están siendo instalados sobre azulejo. Use adhesivo de construcción para bañeras y duchas en otras aplicaciones.

- Aplique adhesivo al panel mural lateral en un patrón circular. Los hilos continuos de adhesivo deben estar separados de 5" (127 mm) a 7" (178 mm) entre sí.
- Aplique un hilo continuo de adhesivo de construcción a lo largo de los bordes del panel mural lateral a 3/4" (19 mm) del borde.
- Mueva el panel mural lateral a su lugar a un ángulo ligero, y oprima el panel mural lateral contra la junta esquinera, si hay una.
- Empuje el panel contra la pared sin acabado. Oprima con firmeza y de manera uniforme en todo el panel. El panel debe hacer contacto con la pared sin acabado en toda el área.

NOTA: Es posible que se requieran refuerzos para sostener el panel, de acuerdo al material de la pared y al adhesivo que se esté usando.



16. Instale el segundo panel mural lateral

Instale la junta de unión

- Llene un canal de la junta de unión con sellador de silicona del mismo color.
- Instale la junta de unión en el panel mural lateral ya instalado. Si se instalaron juntas esquineras, oprima la junta de unión contra la junta esquinera.
- Aplique sellador de silicona del mismo color al segundo canal de la junta de unión.

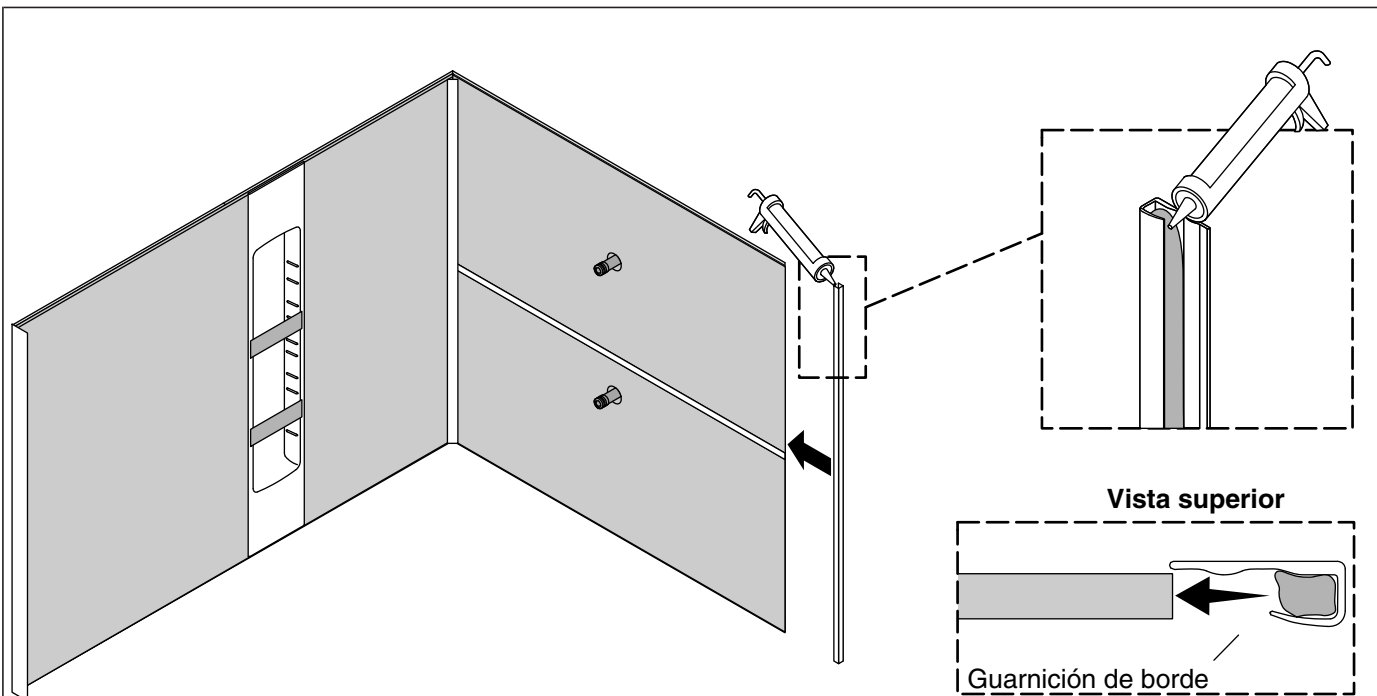
Instale el segundo panel mural lateral

NOTA: Use adhesivo de silicona si los paneles están siendo instalados sobre azulejo. Use adhesivo de construcción para bañeras y duchas en otras aplicaciones.

- Aplique adhesivo al panel mural de la misma forma que lo hizo al primer panel mural. Los hilos continuos de adhesivo deben estar separados de 5" (127 mm) a 7" (178 mm) entre sí.
- Aplique un hilo continuo de adhesivo de construcción a lo largo de los bordes del panel mural lateral a 3/4" (19 mm) del borde.
- Para mover el panel mural lateral a su lugar, primero oprima el panel mural lateral contra la junta de unión, y luego deslice el panel mural contra la junta esquinera, si hay una instalada.
- Empuje el panel contra la pared sin acabado. Oprima con firmeza y de manera uniforme en todo el panel. El panel debe hacer contacto con la pared sin acabado en toda el área.
- Retire el exceso de sellador con el dedo.

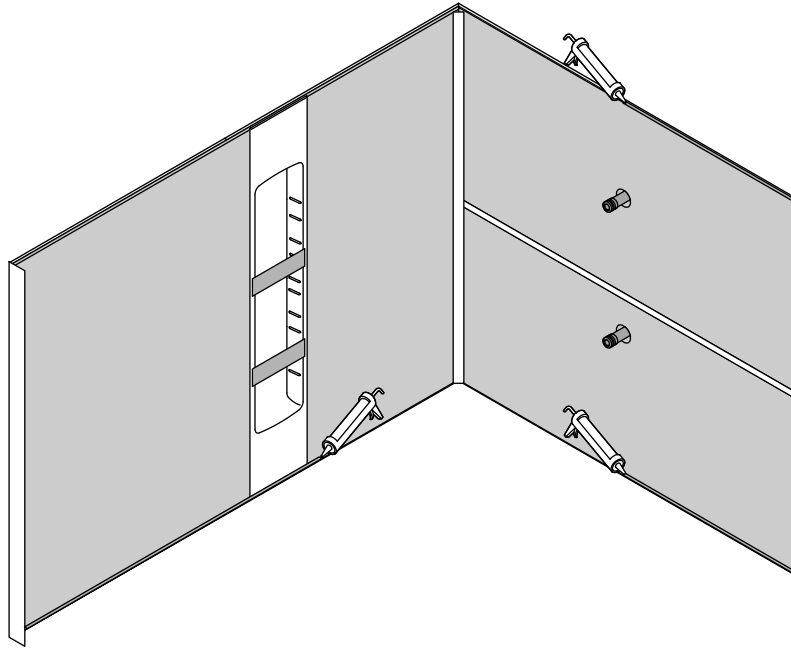
NOTA: Es posible que se requieran refuerzos para sostener el panel, de acuerdo al material de la pared y al adhesivo que se esté usando.

- Cuando instale sobre azulejo, use un refuerzo temporal para fijar cada panel mural en su lugar durante 48 horas, y que así la adhesión sea total.
- Repita estos pasos en el segundo lado del recinto.



17. Instale la guarnición de borde (opcional)

- Si va a instalar guarnición de borde en los bordes exteriores del panel mural, mida la altura del panel mural.
- Transfiera la medida a la guarnición de borde.
- Corte la guarnición de borde.
- Aplique sellador de silicona del mismo color al canal de la guarnición de borde.
- Instale la guarnición de borde al borde exterior del panel mural.
- Repita el procedimiento en el segundo lado.
- Retire el exceso de sellador con el dedo.



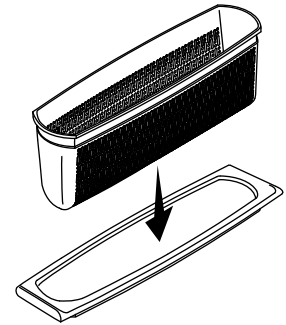
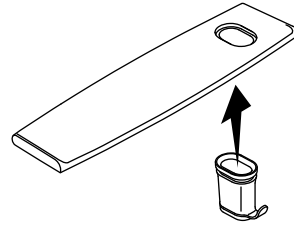
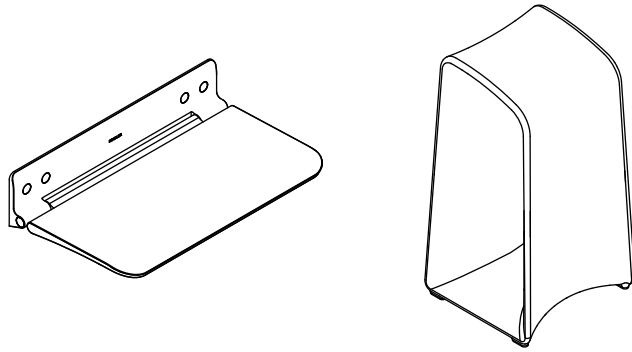
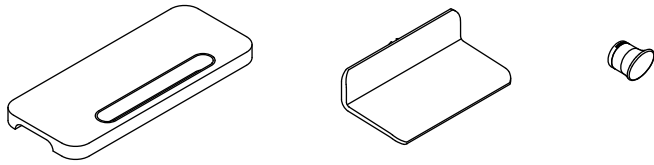
18. Selle el recinto

¡IMPORTANTE! Para obtener mejor adhesión, deje que los paneles y la unidad de estantería curen de 24 a 48 horas antes de sellar. Al sellar la parte superior o inferior se restringe el flujo de aire, lo que requiere mayor tiempo de curado.

- Aplique sellador a las uniones superiores donde los paneles se unen a la pared sin acabar.
- Aplique sellador a las uniones inferiores en el punto donde los paneles se unen a la bañera o a la base de la ducha.

NOTA: Espere 24 horas antes de tomar una ducha o de dejar correr agua.

- Retire la cinta adhesiva plateada de la unidad de estantería una vez que se hayan curado el adhesivo y el sellador en la unidad de estantería y en los paneles.



19. Termine de hacer la instalación

- Instale todos los accesorios de acuerdo a las instrucciones de instalación incluidas con ellos.
- Prepare los estantes con accesorios.
- Oprima el gancho en el estante, como se muestra arriba.
- Oprima la canastilla en el estante, como se muestra arriba.
- CONSEJO:** Al preparar los dos estantes, use agua y jabón para guiar con facilidad el gancho y la canastilla dentro de los estantes.
- Instale los estantes en la unidad de estantería.

Cuidado y limpieza

Para obtener los mejores resultados tenga presente lo siguiente al limpiar su producto KOHLER:

- Siempre pruebe la solución de limpieza en un área oculta antes de aplicarla a toda la superficie. Evite usar productos en aerosol.
- Limpie con un paño las superficies, y enjuague completa e inmediatamente con agua después de haber aplicado el limpiador. Enjuague y seque las superficies cercanas que hayan sido rociadas.
- No deje mucho tiempo los limpiadores en las superficies.
- Utilice una esponja o un paño suave y húmedo. Para limpiar las superficies, nunca utilice materiales abrasivos como cepillos o estropajos de tallar.
- La técnica de limpieza ideal es enjuagar muy bien y absorber con algo el agua de la superficie después de cada uso.

Para obtener información detallada de limpieza y de productos a considerar, visite www.kohler.com/clean. Para solicitar información sobre el cuidado y la limpieza, llame al 1-800-456-4537.

Garantía

Garantía limitada de KOHLER® – Paredes y accesorios Choreograph™

Kohler Co. garantiza todos los productos Choreograph™ (y los accesorios Choreograph™) contra defectos de materiales y de mano de obra en uso residencial normal durante diez (10) años a partir de la fecha de venta. Si un producto o accesorio Choreograph™ se usa comercialmente o si se instala fuera de los Estados Unidos

Garantía (cont.)

de América, Canadá o México, Kohler Co. garantiza el producto o el accesorio Choreograph™ contra defectos de materiales y de mano de obra en uso normal durante tres (3) años a partir de la fecha de venta.

Si la inspección realizada por Kohler Co. de su producto o accesorio Choreograph™ demuestra un defecto de materiales o de mano de obra dentro del periodo aplicable de cobertura especificado arriba, Kohler Co. a su criterio, reparará reemplazará o hará los ajustes pertinentes. Kohler Co. no se hace responsable de costos de mano de obra, instalación u otros costos incidentales o indirectos. En ningún caso deberá la responsabilidad de Kohler Co. exceder el precio de compra del producto o del accesorio Choreograph™. Los daños que resulten de errores de manejo, instalación o mantenimiento inadecuado no serán considerados como defectos de fabricación y no estarán cubiertos por esta garantía. Esta garantía es válida únicamente para el comprador consumidor original. Al presentar las reclamaciones de garantía a Kohler Co., es necesario incluir el comprobante de compra (recibo de venta original).

Para obtener servicio de garantía comuníquese con Kohler Co. a través de su contratista de plomería, centro de remodelación, mayorista, distribuidor, distribuidor por Internet, o llame o escriba a Kohler Co., Attn.: Customer Care Center, 444 Highland Drive, Kohler, Wisconsin 53044, EE.UU., 1-800-4-KOHLER (1-800-456-4537) desde los EE.UU. y Canadá, y al 001-800-456-4537 desde México, o visite www.kohler.com desde los EE.UU., www.ca.kohler.com desde Canadá, o www.mx.kohler.com en México.

EN LA MEDIDA QUE LA LEY LO PERMITA, POR MEDIO DE LA PRESENTE SE DESCARGA RESPONSABILIDAD DE TODA GARANTÍA IMPLÍCITA, INCLUIDA LA DE COMERCIALIZACIÓN E IDONEIDAD PARA UN USO DETERMINADO. KOHLER CO. Y EL VENDEDOR POR MEDIO DE LA PRESENTE DESCARGAN TODA RESPONSABILIDAD POR CONCEPTO DE DAÑOS PARTICULARES, INCIDENTALES O INDIRECTOS. Algunos estados/provincias no permiten limitaciones en cuanto a la duración de una garantía implícita o a la exclusión o limitación de daños particulares, incidentales o indirectos, por lo que estas limitaciones y exclusiones pueden no aplicar a su caso. Esta garantía le otorga ciertos derechos legales específicos. Además, usted puede tener otros derechos que varían de estado a estado y provincia a provincia.

Esta es la garantía exclusiva por escrito de Kohler Co.

USA/Canada: 1-800-4KOHLER

México: 001-800-456-4537

kohler.com

THE BOLD LOOK
OF **KOHLER**®

©2014 Kohler Co.

1242396-2-B