

Installation Guide

Vibracoustic Bath

Retain serial number for reference:
Conserver le numéro de série pour référence:
Guarde el número de serie para
referencia: _____
Français, page "Français-1"
Español, página "Español-1"

THE BOLD LOOK
OF **KOHLER**®

IMPORTANT INSTRUCTIONS



WARNING: When using electrical products, basic precautions should always be followed, including the following:



WARNING: Risk of electric shock. Connect only to a circuit protected by a Ground-Fault Circuit-Interrupter (GFCI) or Residual Current Device (RCD). **Grounding is required.** The unit should be installed and grounded by a qualified service representative.



WARNING: Risk of electric shock. A qualified electrician should route all electrical wiring.



WARNING: Risk of electric shock. Do not operate electrical powered auxiliary audio devices near water.



WARNING: Risk of electric shock. Disconnect power before servicing.

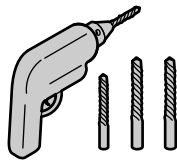
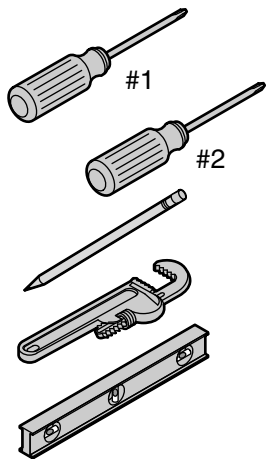


WARNING: Risk of injury or property damage. Please read all instructions thoroughly before beginning installation.

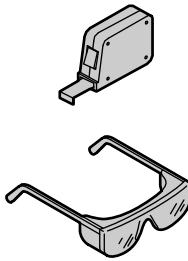
NOTICE: Follow all plumbing, electrical, and building codes.

NOTICE: If the supply cord is damaged, it must be replaced by the manufacturer, its service agent, or similarly qualified agent in order to avoid a hazard.

Tools and Materials



Tin Snips



100% Silicone Sealant

Plus:

- Conventional woodworking tools and materials
- 2x4s
- Drop cloth
- Mortar cement (Optional)
- Construction adhesive (Optional)

Before You Begin



CAUTION: Risk of personal injury. Do not use auxiliary devices connected to an AC power source while bathing.

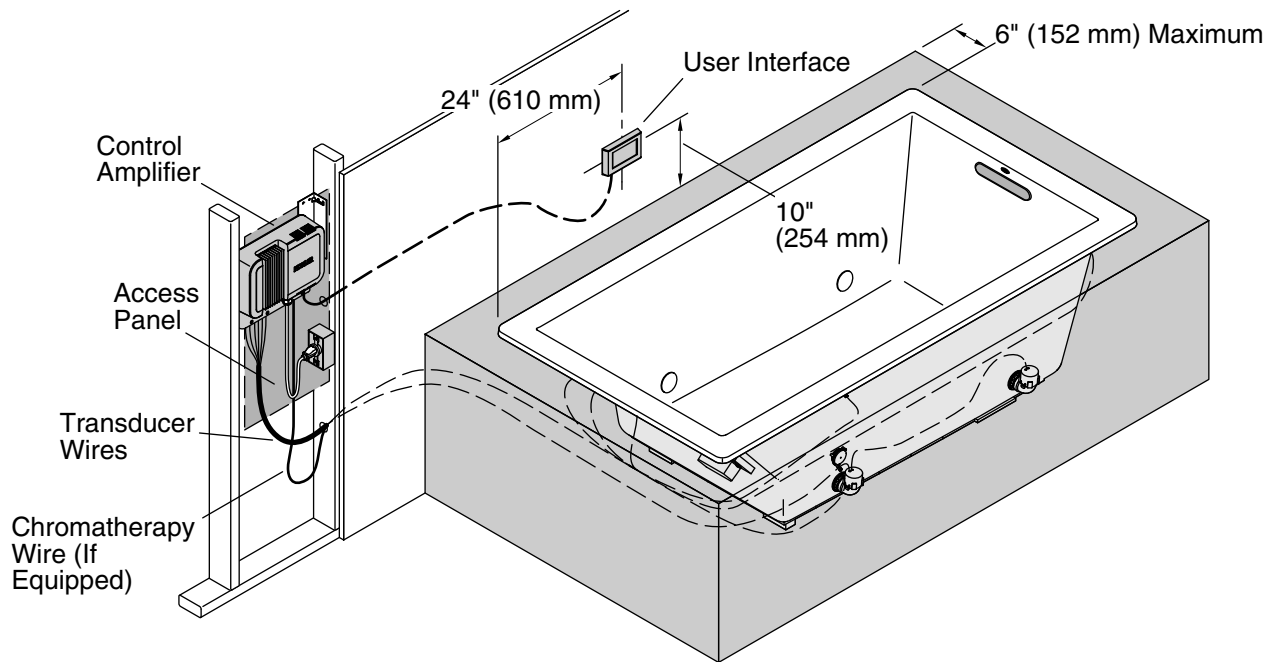


CAUTION: Risk of property damage. Do not support the bath by the rim. The bath must be supported by the support blocks only.

- Observe all local plumbing, building, and electrical codes.
- Read these instructions and determine all required components along with their installation locations before beginning this installation.
- This bath must be installed as a drop-in or island installation.

Before You Begin (cont.)

- Determine the location of the control amplifier if it will be installed remotely. The control amplifier includes a 25' (7.6 m) cable.
- A qualified electrician should install a 120 V, 15 A (240 V, 15 A in Latin America) GFCI or RCD electrical outlet within the stud framing and within 24" (610 mm) of the control amplifier. The user interface, transducers, and (if equipped) chromatherapy are powered through connections with the control amplifier.
- Use conduit to route the electrical power wires from the circuit breaker.
- Choose the location for a battery operated auxiliary audio device, if used. Do not locate devices using AC power within reach of the bath.
- Carefully plan moving the bath into the installation area. This bath will not easily fit through doorways.
- Carefully uncrate the new bath and components and inspect for damage. Make sure there is no damage to the bath. If there is a problem, do not install the bath. Report the specific problem to your dealer immediately.
- After inspection, return the bath and components to the carton until you are ready to install the product.
- Provide access to the control amplifier connections for future servicing.
- To ensure a successful bath installation, the floor must be level.
- Provide adequate floor support.
- Provide properly-dimensioned framing.
- The basin area requires no additional support when the subfloor is level and square with the stud framing. Consider using shims for additional support if the subfloor is uneven.
- Do not select a rim-mount faucet for this bath. Instead, select a deck-mount or wall-mount faucet.
- Plan for adequate mounting and connection space for the faucet.
- Verify adequate support for the faucet. Large deck-mount faucets are not appropriate or safe for this installation.
- This bath conforms to CSA B45.5/IAPMO Z124. All dimensions are nominal.



Roughing-In - Required Components

For best results, follow the suggested installation sequence below. Specific, detailed instructions for each installation step are located on the remaining pages of this installation guide.

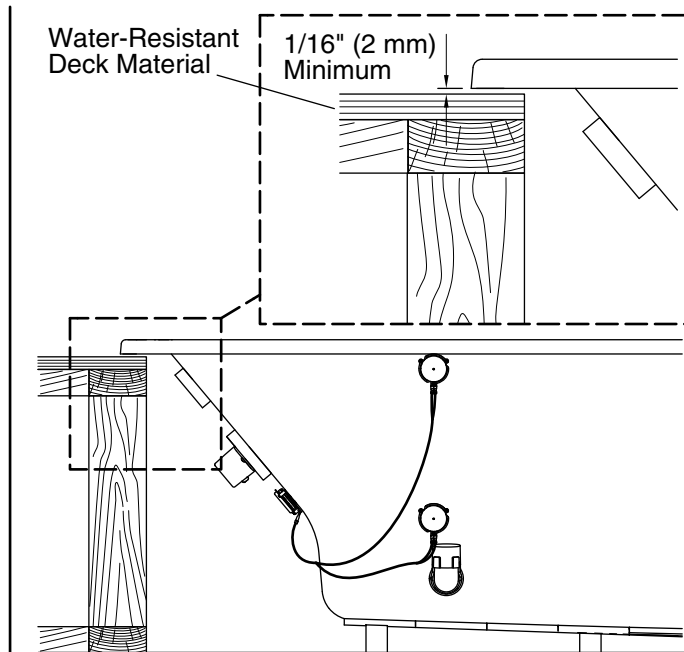
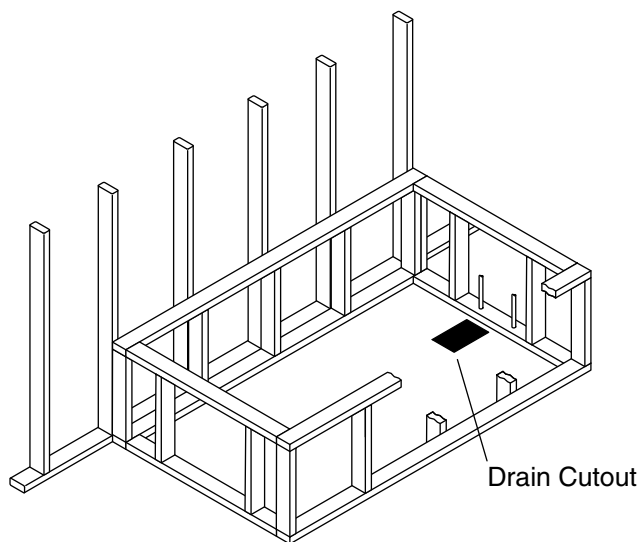
NOTE: The illustration above shows a typical installation with the preferred installation locations for the user interface and control amplifier.

Suggested Installation Sequence

- Determine the installation location for the bath, user interface, and control amplifier.

NOTICE: Use wood stud or concrete framing for the bath frame. Metal framing may adversely affect the vibracoustic quality of the product.

- Determine the location for the access panel (required) for servicing the control amplifier.
- Construct the island or drop-in framing for the bath.
- Install the deck material.
- Route all plumbing supply lines for the bath.
- Install the bath and drain.
- Route the transducer cables to the area chosen for the control amplifier.
- If equipped, route the optional chromotherapy cable to the area chosen for the control amplifier.
- Route the user interface cable from the control amplifier area to the user interface location.
- Install an electrical outlet within 24" (610 mm) of the area chosen for the control amplifier.
- Install the control amplifier.
- Connect the transducer, user interface, optional auxiliary device, and chromotherapy cables (if equipped) to the control amplifier.
- Finish the walls and deck, and install the required access panel for the control amplifier.
- Connect the user interface cable to the user interface, and install the user interface.



1. Prepare the Site

NOTICE: Measure your actual product for site preparation. Visit the product page at www.kohler.com for additional information.

Flooring

NOTICE: Provide adequate floor support.

- Install adequate floor support.

NOTICE: To ensure a successful installation, it is important that the bath be installed on a level subfloor.

- Verify the subfloor is level. Adjust for level, if necessary.

Framing



CAUTION: Risk of property damage. Do not support the bath by the rim. The bath must be supported by the support blocks only.

NOTICE: Use wood or concrete framing for the bath frame. Wood framing will provide the best vibracoustic quality.

NOTICE: If installing the control amplifier between studs, stud spacing should be 16" (406 mm).

NOTE: The framing illustrated is less finished wall and deck materials. Allow for wall and deck material thicknesses when framing. When planning the construction of the framing, take into account the thickness of the finished deck and access panel materials.

NOTICE: To ensure the bath does not rest on the rim, provide a minimum 1/16" (2 mm) gap between the framing and the underside of the rim.

NOTICE: This bath must be installed as a drop-in or island installation. If a deck-mount faucet will be installed, plan a space on the deck to accommodate the faucet.

- Construct the framing.

Prepare the Site (cont.)

- Measure and cut the deck opening to size and secure to the top of the framed area. Ensure a minimum 1/16" (2 mm) gap will exist between the framing and the underside of the rim. Ensure clearance by test-fitting the bath through the deck.

IMPORTANT! The cables that will connect the control amplifier to the bath transducers, chromatherapy lights (if equipped), and the user interface are each 25' (7.6 m) in length. Carefully plan out and position the control amplifier so these routed cables will easily reach without placing tension on the cables.

- Choose the preferred location for the control amplifier, then construct the stud framing or pocket.

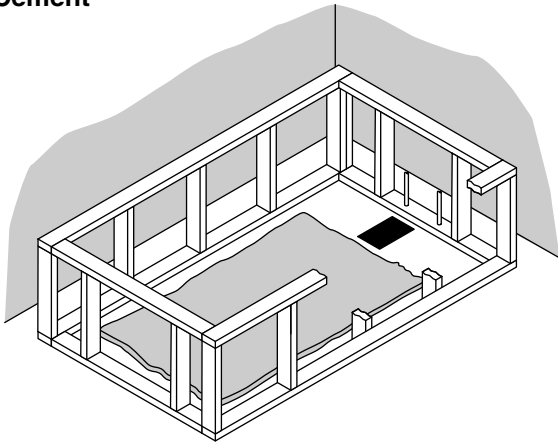
Plumbing

- Position and rough-in the drain and supply plumbing.
- Cap the supplies and check for leaks.

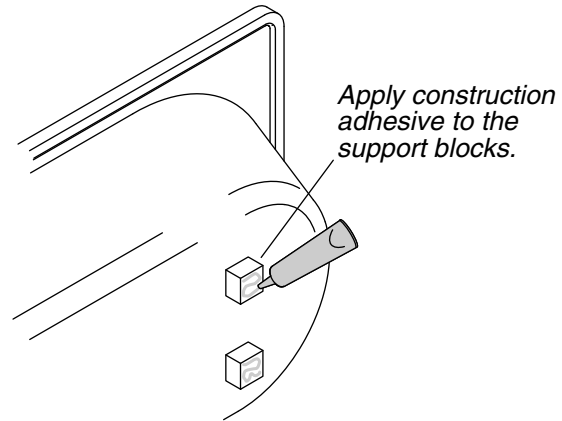
IMPORTANT! For through-the-floor drain installations, cut a hole in the subfloor to accommodate the drain connections.

- Attach the drain to the bath according to the instructions packed with the drain. **Do not connect the trap at this time.**

Mortar Cement



Construction Adhesive



2. Install the Bath

NOTICE: The bath must be secured using one of the following two methods: mortar cement bed or construction adhesive.

NOTICE: Ensure the subfloor is level before proceeding. If necessary, use shims to level.

IMPORTANT! Provide a means to route the user-interface cable through the wall to the control amplifier.

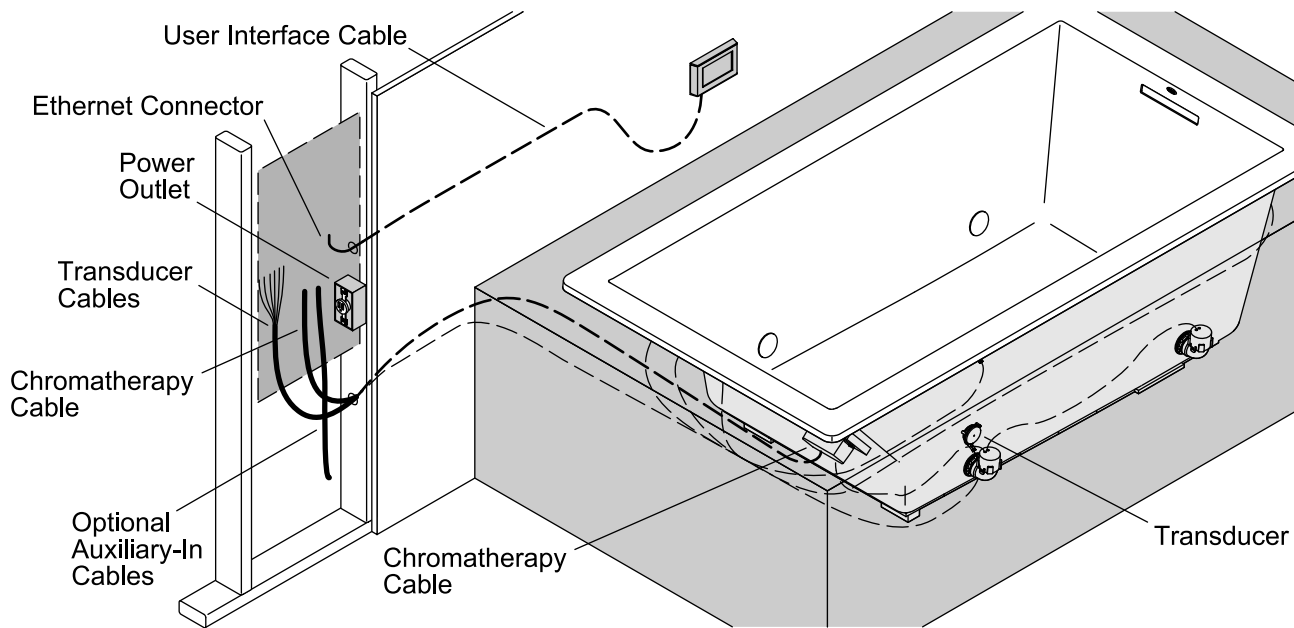
Mortar Cement Bed Method

NOTICE: Do not use gypsum cement or drywall compound, as these materials will not provide a durable bond. Only use mortar cement.

- Spread a 2" (51 mm) thick layer of mortar cement on the subfloor.
- With help, carefully lower the bath through the cutout opening in the deck. Take extra precaution to avoid damaging the transducers, cables, and (if equipped) chromatherapy control mounted to the bath.
- Carefully press the bath into the mortar cement bed until the bottom of the bath rim is at least 1/16" (2 mm) above the deck material.
- Verify the bath is level across the top of the bath. If the bath is not level, install shims under the support blocks.
- Place a clean drop cloth on the bottom of the bath basin to protect the bath surface.

Construction Adhesive Method

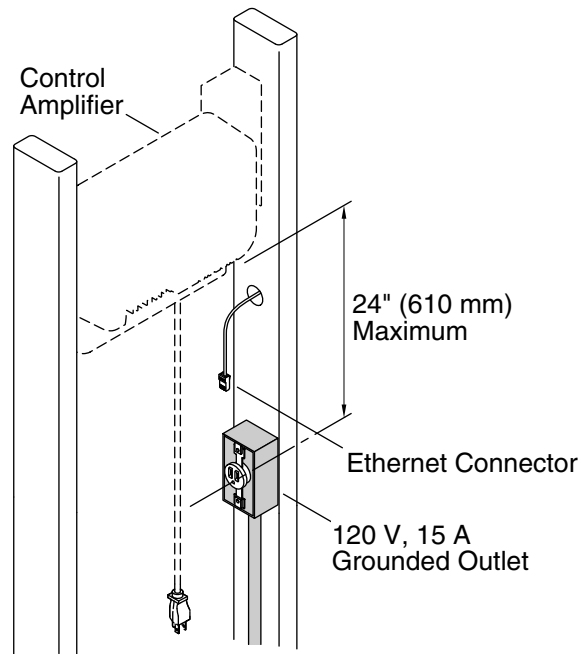
- Apply a generous amount of high-quality construction adhesive to the bottom of the support blocks.
- With help, carefully lower the bath through the cutout opening in the deck. Take extra precaution to avoid damaging the transducers, cables, and (if equipped) chromatherapy control mounted to the bath.
- Carefully press the bath onto the subfloor until the bottom of the bath rim is at least 1/16" (2 mm) above the deck material.
- Verify the support blocks are resting directly on the subfloor. Reposition or shim as needed.
- Verify the bath is level across the top of the bath. If the bath is not level, install shims under the support blocks.
- Place a clean drop cloth on the bottom of the bath basin to protect the bath surface.



3. Route the Cables

IMPORTANT! The cables that will connect the control amplifier to the bath transducers, chromatherapy control (if equipped), and the user interface are each 25' (7.6 m) in length. Plan to position the control amplifier so these cables, when routed and connected, will easily reach without placing tension on the cables.

- The bath transducer cables are coiled and attached to the back of the bath.
- Use a tin snips or shears to cut the cable tie securing the transducer cables.
- Carefully route the transducer cables through the framing, drilling 1" (52 mm) holes where needed, to the planned control amplifier location.
- If equipped with chromatherapy lights, carefully route the chromatherapy cable from the chromatherapy control on the bath to the planned amplifier location following the same route as the transducer cables.
- Route the user interface cable through the framing from the planned user interface location to the planned control amplifier location following the same route as the transducer cables. Make sure the larger Ethernet-style connector is at the control amplifier end.
- If used, route an auxiliary-in cable (not included) to the planned control amplifier installation location. This auxiliary connection can be used for pairing Bluetooth devices and other battery-operated audio devices so users can play their own music with the vibracoustic bath.



4. Install the Electrical Outlet - United States



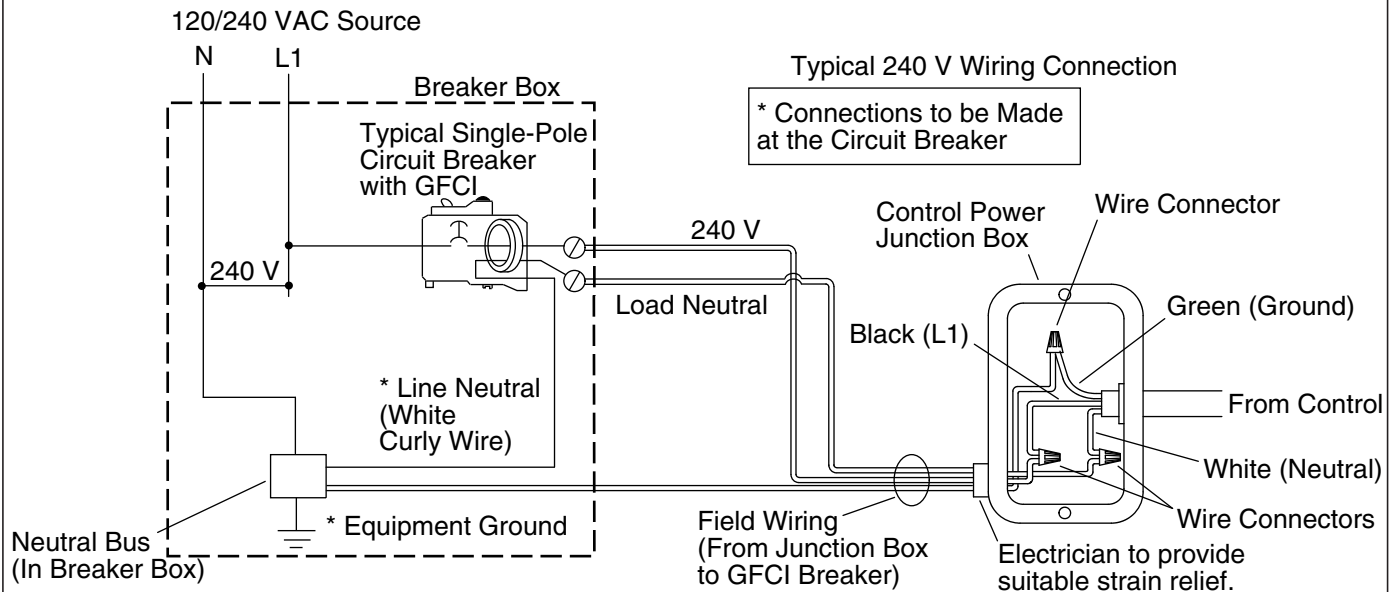
WARNING: Risk of electric shock. Make sure the power has been disconnected before performing the following procedures.

NOTE: For installations in Latin America, go to the "Electrical Connections - Latin America" section.

NOTICE: The control amplifier is equipped with a cord and plug. All wiring for the control amplifier has been completed at the factory. A qualified electrician must install a GFCI- or RCD-protected, 120 V, 15 A grounded outlet. No other load should be on this circuit.

- Install a 120 V, 15 A grounded outlet within the wall framing and within 24" (610 mm) of the planned control amplifier location.

Bond in accordance with national and local codes. Open bonding lugs are located at the top of the junction box.



5. Make Electrical Connections - Latin America

NOTE: The product model number is printed on a label on the lumbar side of the bath. This label also identifies the electrical rating of the product. All vibracoustic baths are designed to operate between 110 V and 240 V at either 50 Hz or 60 Hz.



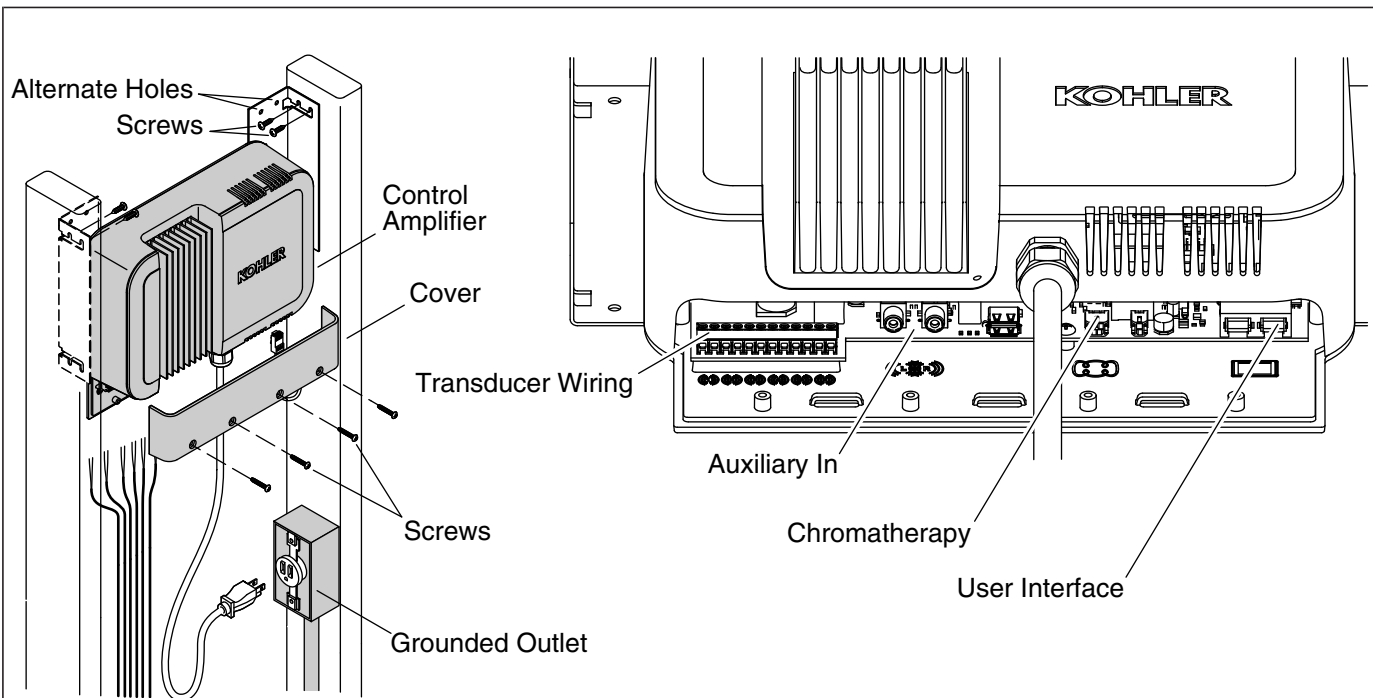
WARNING: Risk of electrical shock. Make sure the power has been disconnected before performing the following procedures.



WARNING: Risk of electrical shock. Connect the bath to a properly grounded Ground-Fault Circuit-Interrupter (GFCI) or Residual Current Device (RCD). This will provide additional protection against line-to-ground shock hazard.

IMPORTANT! The white wire should be connected to the load neutral terminal on the Ground-Fault Circuit-Interrupter (GFCI) breaker. The green wire is the **equipment ground** and needs to be connected to the neutral bus in the main circuit breaker box.

- Remove the 120 V plug from the end of the electrical cord.
- Connect service to the junction box with a 240 V plug (not included) or hardwire connection. The junction box contains black, white, and green colored wires and a ground lug.
- Follow local electrical codes. Bond in accordance with national and local codes.



6. Install the Control Amplifier



WARNING: Risk of electric shock. Connect the control amplifier to a properly grounded, grounding-type receptacle protected by a Ground-Fault Circuit-Interrupter (GFCI) or Residual Current Device (RCD). Do not remove the grounding pin from the plug or use a grounding adapter.

- Remove the control amplifier from the box. **Do not** remove the mounting bracket from the control amplifier.

IMPORTANT! Keep insulating materials away from the control amplifier. Provide an unobstructed air space around the control amplifier to permit cooling.

- With the control amplifier located flush or recessed from the studs, use the wood screws provided to secure the control amplifier to the framing. You can also use the anchors provided to secure the control amplifier to a finished wall material other than wood.

NOTE: To make wiring connections more accessible, temporarily secure the control amplifier with one screw on each side. This allows the control amplifier to tilt forward, making the wiring connections more accessible. Secure the control amplifier with the remaining screws once wiring connections are made.

- Remove the cover from the control amplifier by removing the four screws. Retain for reinstallation.

NOTE: The transducer terminals and wires are numbered to identify the correct connections. When required, the control amplifier can be removed to aid in the wire connection process.

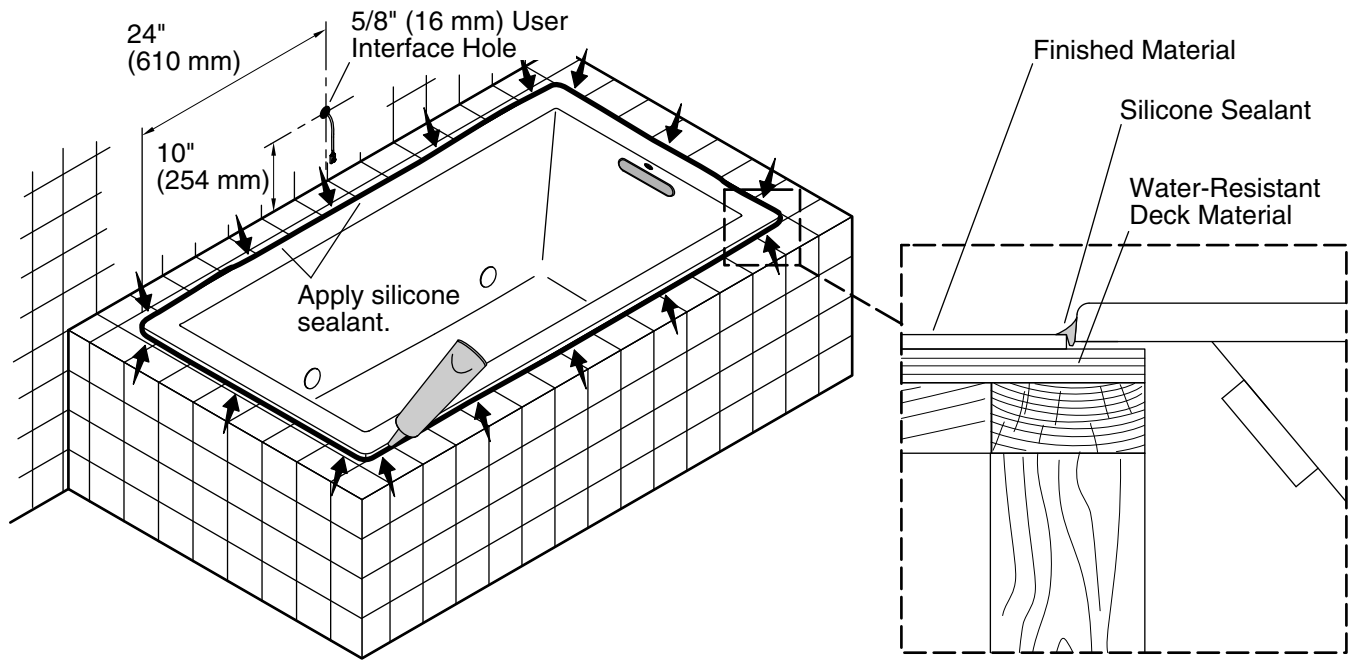
- **Securely** attach the transducer wires to the transducer terminals - the white with black wires are the positive (+) leads.
- If equipped, connect the optional chromatherapy connector to the chromatherapy terminal.
- Connect the user interface connector to the user interface terminal.
- If used, connect the optional auxiliary-in RCA connectors to the auxiliary-in terminals.
- Reinstall the cover to the control amplifier, and secure with the four screws.
- Plug the control amplifier into the electrical outlet.

7. Install the Plumbing



CAUTION: Risk of property damage. Ensure a watertight seal on all bath drain connections to prevent water leakage.

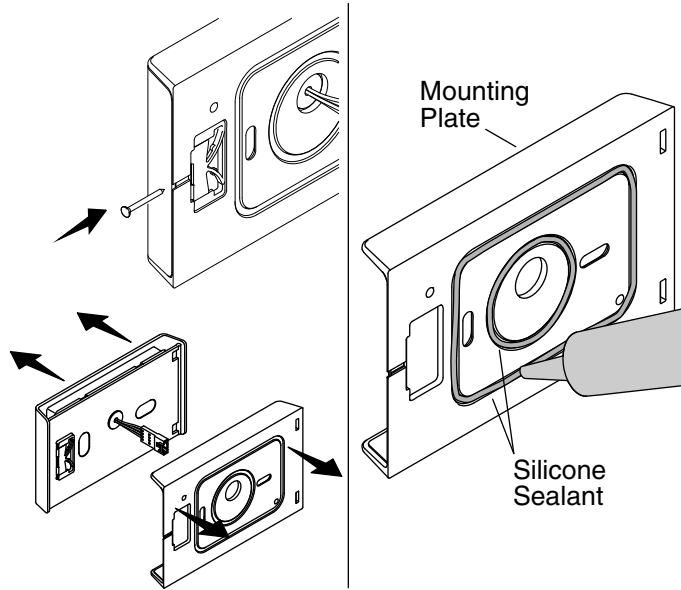
- Connect the drain to the trap.
- Install the faucet valve according to the faucet manufacturer's instructions. **Do not install the faucet trim at this time.**
- Open the hot and cold water supplies. Check all connections for leaks.
- Fill the bath to the overflow and check the drain connections for leaks.



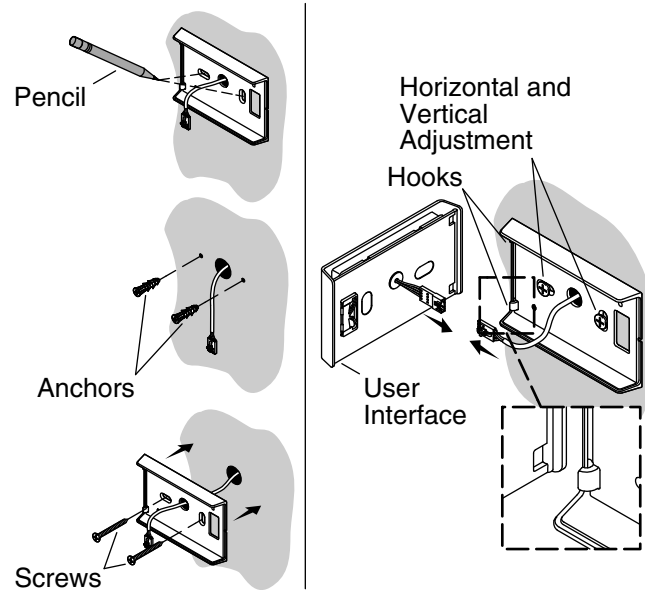
8. Complete the Finished Walls

- Cover the framing with water-resistant material.
- **Provide suitable access** to the control amplifier.
- Tape and mud the wall and deck materials. Install the finished wall and deck materials. Seal the joints between the bath rim and the finished deck material with silicone sealant.
- Drill a 5/8" (16 mm) hole through the wall material exactly where the user interface will be installed. Refer to the "Roughing-in - Required Components" section to determine the user interface installation location.
- Route the user interface cable through the hole in the wall material, and tape or otherwise secure the cable so it will not fall between the walls.
- Install the faucet trim according to the faucet trim manufacturer's instructions.

Back View



Front View



9. Install the User Interface

- Push a thin nail into the orifice in the user interface and separate the user interface from the mounting plate.
- Position the mounting plate over the cable and against the finished wall so the two hooks are to the left, as shown in the "Front View" image above. Then level the mounting plate and mark the screw hole locations on the wall.
- Remove the mounting plate without allowing the cable to fall between the walls, and drill 1/4" holes at the marked screw hole locations.
- Insert the provided wall anchors into the holes.
- Apply a bead of silicone sealant to each of the sealant grooves on the back of the mounting plate.
- Position the mounting plate over the cable with the hooks to the left, and secure the mounting plate to the wall using the two screws provided.
- Check for level. Loosen the screws and adjust the mounting plate as needed until it is level. Retighten the screws.
- Connect the cable to the user interface.
- Engage the user interface with the two mounting plate hooks, then firmly swing the user interface against the mounting plate until they snap together.
- Refer to the User Guide included with the product to set up, program, and verify proper function of the product.

Troubleshooting

This troubleshooting guide is for general aid only. For service and installation issues or concerns, call 1-800-4KOHLER.

Troubleshooting Table

Symptom	Probable Cause	Recommended Action
1. No sound; no experiences are functioning.	<p>A. Power to the control amplifier is off.</p> <p>B. The control amplifier must be reset.</p> <p>C. The control amplifier does not work.</p> <p>D. The user interface cable connections are loose or damaged.</p> <p>E. The experiences data module connection is loose or damaged.</p> <p>F. The user interface does not work.</p> <p>G. An experience has not been selected on the user interface.</p> <p>H. The vibracoustic intensity is muted on the user interface.</p>	<p>A. Reset the circuit breaker to the control amplifier, then check the electrical power supply and connections.</p> <p>B. If the red LED on the control amplifier is not blinking, unplug the control amplifier for 30 seconds, then plug in and restart.</p> <p>C. If the red LED on the control amplifier is still not blinking following restart, replace the control amplifier.</p> <p>D. Inspect the cable for loose connections or damage. Tighten the connections or replace the cable as needed.</p> <p>E. Inspect the data module for loose connection or damage. Tighten the connection or replace the module as needed.</p> <p>F. Replace the user interface.</p> <p>G. Select an experience.</p> <p>H. Touch the [Mute] icon on the user interface to turn off the mute setting.</p>
2. The music is distorted (undesirable resonance) when the vibracoustic functions are on.	<p>A. The intensity setting is too high on the user interface.</p> <p>B. The transducers on the back surface of the bath are in direct contact with framing, joists, or other materials.</p> <p>C. One or more of the transducers on the back surface of the bath are loose.</p> <p>D. The bath is making direct contact with framing, joists, or other materials.</p>	<p>A. Turn down the intensity setting on the user interface.</p> <p>B. Remove or reposition any materials that are making direct contact with the transducers.</p> <p>C. Rotate the loose transducer(s) clockwise with your fingers until tight. Do not overtighten.</p> <p>D. Identify the point of contact and correct it. The bath must not make contact with any framing or support materials.</p>
3. The user interface does not light up and does not work.	<p>A. Power to the control amplifier is not on.</p> <p>B. The control amplifier must be reset.</p> <p>C. The control amplifier does not work.</p>	<p>A. Reset the circuit breaker to the control amplifier, then check the electrical power supply and connections.</p> <p>B. If the red LED on the control amplifier is not blinking, unplug the control amplifier for 30 seconds, then plug in and restart.</p> <p>C. If the red LED on the control amplifier is still not blinking following restart, replace the control amplifier.</p>

Troubleshooting (cont.)

Troubleshooting Table

Symptom	Probable Cause	Recommended Action
	<p>D. The user interface cable connections are loose or damaged.</p> <p>E. The user interface does not work.</p>	<p>D. Inspect the cable for loose connections or damage. Tighten the connections or replace the cable as needed.</p> <p>E. Replace the user interface.</p>
4. The user interface lights up but does not work.	<p>A. The control amplifier must be reset.</p> <p>B. The control amplifier does not work.</p> <p>C. The user interface cable connections are loose or damaged.</p> <p>D. The user interface does not work.</p>	<p>A. If the red LED on the control amplifier is not blinking, unplug the control amplifier for 30 seconds, then plug in and restart.</p> <p>B. If the red LED on the control amplifier is still not blinking following restart, replace the control amplifier.</p> <p>C. Inspect the cable for loose connections or damage. Tighten the connections or replace the cable as needed.</p> <p>D. Replace the user interface.</p>
5. The auxiliary music does not work.	<p>A. Power to the control amplifier is not on.</p> <p>B. The control amplifier must be reset.</p> <p>C. The control amplifier does not work.</p> <p>D. The auxiliary music source option is not selected on the user interface.</p> <p>E. The vibracoustic sound is muted on the user interface.</p> <p>F. The vibracoustic intensity is turned down on the user interface.</p> <p>G. The auxiliary-in or user interface cable connections are loose or damaged.</p> <p>H. The user interface does not work.</p>	<p>A. Reset the circuit breaker to the control amplifier, then check the electrical power supply and connections.</p> <p>B. If the red LED on the control amplifier is not blinking, unplug the control amplifier for 30 seconds, then plug in and restart.</p> <p>C. If the red LED on the control amplifier is still not blinking following restart, replace the control amplifier.</p> <p>D. Select the auxiliary music option on the user interface.</p> <p>E. Touch the [Mute] icon on the user interface to turn off the mute setting.</p> <p>F. Turn up the vibracoustic intensity on the user interface.</p> <p>G. Inspect the cables for loose connections or damage. Tighten the connections or replace the cables as needed.</p> <p>H. Replace the user interface.</p>

(Optional) Chromotherapy Troubleshooting Table

Symptom	Probable Cause	Recommended Action
1. Chromotherapy lights do not work.	A. Power to the control amplifier is off.	A. Reset the circuit breaker to the control amplifier, then check the electrical power supply and connections.

Troubleshooting (cont.)

(Optional) Chromotherapy Troubleshooting Table

Symptom	Probable Cause	Recommended Action
	<p>B. The control amplifier must be reset.</p> <p>C. The control amplifier does not work.</p> <p>D. The Chromotherapy or user interface cable connections are loose or damaged.</p> <p>E. The user interface does not work.</p> <p>F. The Chromotherapy feature has not been selected on the user interface.</p> <p>G. The Chromotherapy control does not work.</p>	<p>B. If the red LED on the control amplifier is not blinking, unplug the control amplifier for 30 seconds, then plug in and restart.</p> <p>C. If the red LED on the control amplifier is still not blinking following restart, replace the control amplifier.</p> <p>D. Inspect the cables for loose connections or damage. Tighten or replace the cables as needed.</p> <p>E. Verify that the user interface cable is securely connected to the user interface and the control amplifier terminal. If the connections are good, replace the user interface.</p> <p>F. Select the Chromotherapy feature on the user interface.</p> <p>G. Replace the Chromotherapy control.</p>
<p>2. The Chromotherapy lights do not cycle through all colors.</p>	<p>A. The control amplifier must be reset.</p> <p>B. The control amplifier does not work.</p> <p>C. The Chromotherapy or user interface cable connections are loose or damaged.</p> <p>D. The user interface does not work.</p> <p>E. If none of the recommended actions correct the problem, contact Kohler Co.</p>	<p>A. If the red LED on the control amplifier is not blinking, unplug the control amplifier for 30 seconds, then plug in and restart.</p> <p>B. If the red LED on the control amplifier is still not blinking following restart, replace the control amplifier.</p> <p>C. Inspect the cables for loose connections or damage. Tighten or replace the cables as needed.</p> <p>D. Cycle through the Chromotherapy light functions. If the Chromotherapy lights do not cycle through all colors and the blue icon on the user interface is not lit, replace the user interface.</p> <p>E. Contact the Customer Care Center using the contact information on the back cover.</p>
<p>3. The Chromotherapy lights remain locked on one color when cycled.</p>	<p>A. The control amplifier must be reset.</p> <p>B. The control amplifier does not work.</p> <p>C. The user interface does not work.</p>	<p>A. If the red LED on the control amplifier is not blinking, unplug the control amplifier for 30 seconds, then plug in and restart.</p> <p>B. If the red LED on the control amplifier is still not blinking following restart, replace the control amplifier.</p> <p>C. Cycle through the Chromotherapy light functions. If the Chromotherapy lights do not cycle and the blue icon on the user interface is not lit, replace the user interface.</p>

Troubleshooting (cont.)

(Optional) Chromotherapy Troubleshooting Table

Symptom	Probable Cause	Recommended Action
	D. If none of the recommended actions correct the problem, contact Kohler Co.	D. Contact the Customer Care Center using the contact information on the back cover.

Guide d'installation

Baignoire vibracoustique

INSTRUCTIONS IMPORTANTES



AVERTISSEMENT: Lors de l'utilisation de produits électriques, toujours observer les précautions de base, notamment:



AVERTISSEMENT: Risque de choc électrique. Raccorder uniquement à des circuits protégés par un disjoncteur de fuite de terre (GFCI) ou un dispositif de protection à courant résiduel (RCD). **Une mise à la terre est requise.** L'appareil doit être installé et mis à la terre par un représentant technique qualifié.



AVERTISSEMENT: Risque de choc électrique. Tout le câblage électrique doit être réalisé par un électricien qualifié.



AVERTISSEMENT: Risque de choc électrique. Ne pas faire fonctionner les appareils audio auxiliaires sous tension électrique à proximité de l'eau.



AVERTISSEMENT: Risque de choc électrique. Déconnecter l'alimentation électrique avant d'effectuer un entretien.

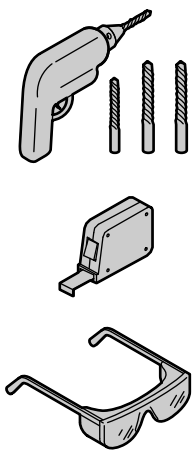
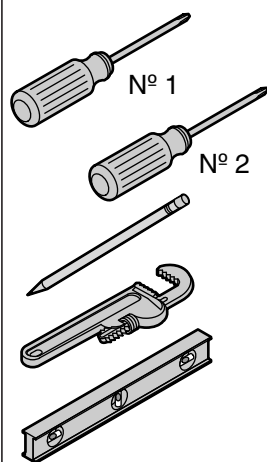


AVERTISSEMENT: Risque de blessures ou d'endommagement du matériel. Lire toutes les instructions avec attention avant de commencer l'installation.

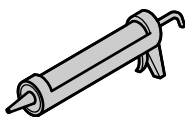
AVIS: Respecter tous les codes de plomberie, d'électricité et de construction.

AVIS: Si le cordon d'alimentation est endommagé, il doit être remplacé par le fabricant, son représentant technique ou un personnel ayant les mêmes qualifications, afin d'éviter tout danger.

Outils et matériaux



Cisailles de ferblantier



Mastic à la silicone à 100%

Plus:

- Outils conventionnels de menuiserie et matériels
- 2x4
- Bâche de protection
- Mortier de ciment (optionnel)
- Colle mastic (optionnelle)

Avant de commencer

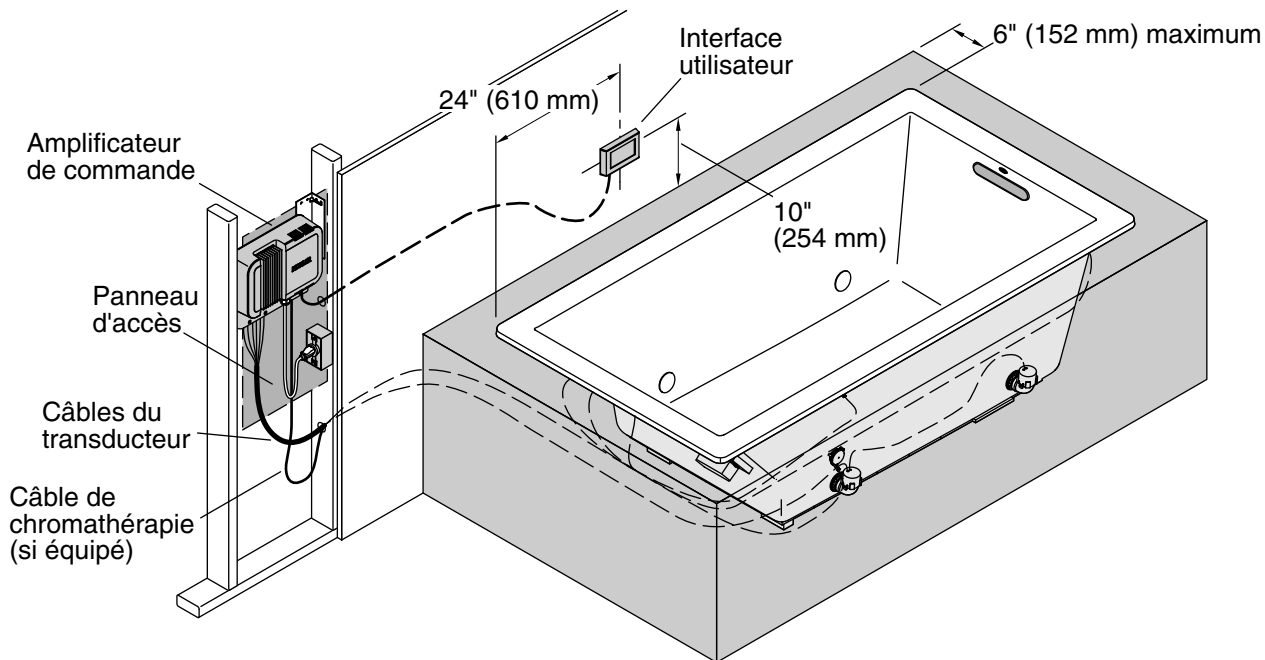


ATTENTION: Risque de blessures. Ne pas utiliser d'appareils auxiliaires connectés à une source d'alimentation électrique en courant alternatif en prenant un bain.



ATTENTION: Risque de dommages matériels. Ne pas supporter la baignoire par le rebord. La baignoire doit être supportée par les blocs de support uniquement.

- Respecter tous les codes électriques, de plomberie et de construction locaux.
- Lire ces instructions et déterminer tous les composants requis avec leurs emplacements d'installation avant de commencer cette installation.
- Cette baignoire doit être encastrée par le dessus ou être installée sur un podium.
- Déterminer l'emplacement de l'amplificateur de commande s'il doit être installé à distance. L'amplificateur de commande comprend un câble de 25' (7,6 m).
- Un électricien qualifié doit installer une prise électrique pour disjoncteur de fuite de terre (GFCI) ou dispositif de protection à courant résiduel (RCD) de 120 V, 15 A (240 V, 15 A en Amérique latine), dans la charpente des montants et comprise dans une distance de 24" (610 mm) de l'amplificateur de commande. L'interface utilisateur, les transducteurs et la chromathérapie (si la baignoire en est équipée) sont alimentés par des connexions avec l'amplificateur de commande.
- Utiliser le conduit pour acheminer les fils d'alimentation électrique en provenance du disjoncteur.
- Choisir l'emplacement d'un appareil audio auxiliaire à piles, le cas échéant. Ne pas placer les appareils alimentés en courant alternatif à portée de main de la baignoire.
- Planifier avec attention le déplacement de la baignoire dans l'emplacement d'installation. Cette baignoire ne passe pas facilement par les entrées de portes.
- Débarrer la nouvelle baignoire et les composants avec précaution et effectuer une inspection pour y rechercher des dommages. S'assurer que la baignoire n'est pas endommagée. En cas de problème, ne pas installer la baignoire. Informer immédiatement le distributeur du problème.
- Après inspection, remettre la baignoire et les composants dans le carton d'emballage jusqu'au moment de leur installation.
- Prévoir suffisamment d'accès aux connexions de l'amplificateur de commande pour permettre des entretiens futurs.
- Pour assurer une installation réussie de la baignoire, le plancher doit être à niveau.
- Fournir un support de plancher adéquat.
- Fournir une charpente de dimensions appropriées.
- Si le sous-plancher est à niveau et perpendiculaire avec l'ossature, l'espace de la vasque de la baignoire ne nécessite pas de support supplémentaire. Envisager d'utiliser des cales pour un support supplémentaire si le sous-plancher n'est pas à niveau.
- Ne pas sélectionner un robinet à montage sur rebord pour cette baignoire. Sélectionner plutôt un robinet à montage sur le tablier ou un robinet à montage mural.
- Prévoir l'espace de montage et de connexion adéquats pour le robinet.
- Vérifier le support adéquat pour le robinet. Les grands robinets à montage sur tablier ne conviennent pas et ne sont pas sûrs pour cette installation.
- Cette baignoire est conforme à la norme CSA B45.5/IAPMO Z124. Toutes les dimensions sont nominales.



Plan de raccordement - Composants requis

Pour obtenir les meilleurs résultats possibles, suivre la séquence d'installation suggérée ci-dessous. Des instructions spécifiques détaillées pour chaque étape d'installation se trouvent sur les autres pages de ce guide d'installation.

REMARQUE: L'illustration ci-dessus indique une installation typique avec les emplacements d'installation préférés pour l'interface utilisateur et l'amplificateur de commande.

Séquence d'installation suggérée

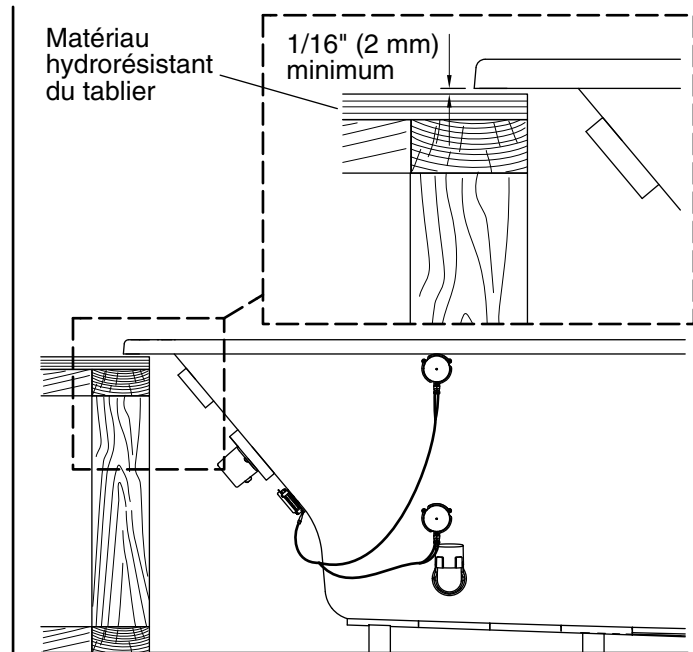
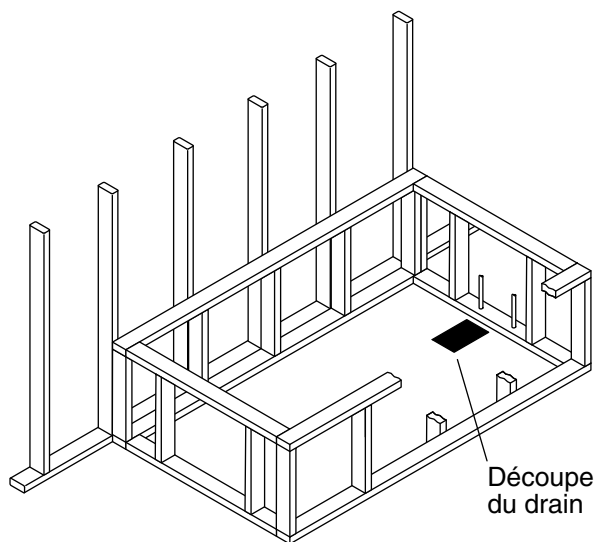
- Déterminer l'emplacement d'installation de la baignoire, de l'interface utilisateur et de l'amplificateur de commande.

AVIS: Utiliser une charpente de montants en bois ou en béton pour le cadre de la baignoire. Une structure en métal pourrait avoir un effet négatif sur la qualité vibracoustique du produit.

- Déterminer l'emplacement des panneaux d'accès (requis) pour l'entretien de l'amplificateur de commande.
- Construire le podium ou la charpente d'encastrement pour la baignoire.
- Installer le matériau du tablier.
- Acheminer tous les tuyaux d'alimentation de la plomberie pour la baignoire.
- Installer la baignoire et le drain.
- Acheminer les câbles du transducteur vers la zone choisie pour l'amplificateur de commande.
- Si la baignoire en est équipée, acheminer le câble de chromathérapie optionnel vers la zone choisie pour l'amplificateur de commande.
- Acheminer le câble d'interface utilisateur de la zone de l'amplificateur de commande vers l'emplacement de l'interface utilisateur.
- Installer une prise électrique comprise dans une distance de 24" (610 mm) de la zone choisie pour l'amplificateur de commande.
- Installer l'amplificateur de commande.

Plan de raccordement - Composants requis (cont.)

- Brancher le transducteur, l'interface utilisateur, le dispositif auxiliaire optionnel et les câbles de chromathérapie (si la baignoire en est équipée) sur l'amplificateur de commande.
- Finir les murs et le tablier et installer le panneau d'accès requis pour l'amplificateur de commande.
- Brancher le câble d'interface utilisateur sur l'interface utilisateur et installer l'interface utilisateur.



1. Préparer le site

AVIS: Mesurer le produit en question pour la préparation du site. Pour de plus amples informations, consulter la page du produit sur le site www.kohler.com.

Plancher

AVIS: Fournir un support de plancher adéquat.

- Installer un support de plancher adéquat.

AVIS: Pour assurer une installation réussie, il est important que la baignoire soit installée sur un sous-plancher à niveau.

- Vérifier que le sous-plancher est nivelé. Ajuster la mise à niveau le cas échéant.

Charpente



ATTENTION: Risque de dommages matériels. Ne pas supporter la baignoire par le rebord. La baignoire doit être supportée par les blocs de support uniquement.

AVIS: Utiliser une charpente de montants en bois ou en béton pour le cadre de la baignoire. Une charpente en bois fournira la meilleure qualité vibracoustique.

AVIS: Si l'amplificateur de commande est installé entre des montants, l'espacement de ces derniers doit être égal à 16" (406 mm).

REMARQUE: La charpente illustrée ne comprend aucun matériau de mur fini et de tablier. Prévoir les épaisseurs du matériau du mur et du tablier lors du cadrage. Lors de la planification de la construction du cadrage, prendre en considération l'épaisseur du matériau du tablier fini et des panneaux d'accès.

AVIS: Pour assurer que la baignoire ne repose pas sur le rebord, fournir un espace minimum de 1/16" (2 mm) entre la charpente et le dessous du rebord.

AVIS: Cette baignoire doit être encastrée par le dessus ou être installée sur un podium. Avec un robinet à montage sur la plate-forme, prévoir un espace sur la plate-forme pour y loger le robinet.

- Construire la charpente.

Préparer le site (cont.)

- Mesurer et couper l'ouverture de la plate-forme à la taille voulue et fixer sur le dessus de la surface avec la charpente. Assurer un espace minimum de 1/16" (2 mm) entre la charpente et le dessous du tablier. Vérifier que l'espace est adéquat en testant l'ajustement de la baignoire à travers le tablier.

IMPORTANT! La longueur de chacun des câbles qui raccordent l'amplificateur de commande aux transducteurs de la baignoire, aux lampes de chromathérapie (si la baignoire en est équipée) et à l'interface utilisateur est de 25' (7,6 m). Planifier et placer avec précaution l'amplificateur de commande de manière à ne pas créer de tension au niveau des câbles acheminés.

- Déterminer l'emplacement souhaité pour l'amplificateur de commande, puis construire la charpente des pans ou le logement.

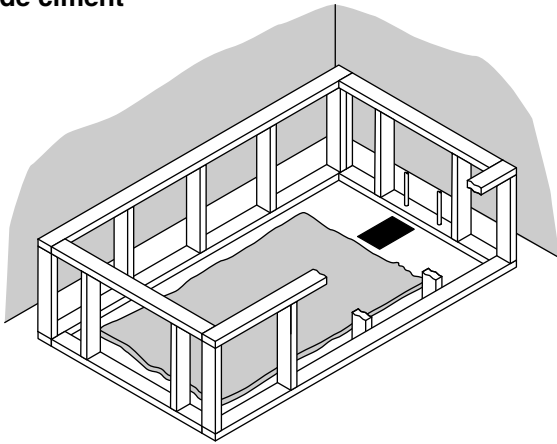
Plomberie

- Positionner et raccorder le drain et la plomberie d'alimentation.
- Boucher les alimentations et s'assurer de l'absence de fuites.

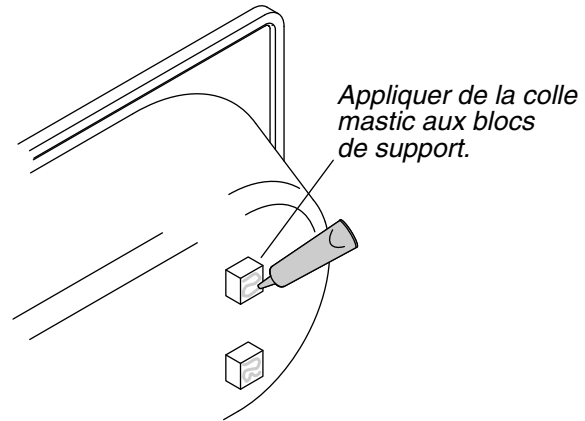
IMPORTANT! Pour les installations de drain dans le plancher, découper un trou dans le sous-plancher pour le raccordement du drain.

- Fixer le drain à la baignoire en suivant les instructions incluses avec le drain. **Ne pas connecter le siphon pour l'instant.**

Mortier de ciment



Colle mastic



2. Installer la baignoire

AVIS: La baignoire doit être fixée en utilisant l'une des deux méthodes suivantes: lit de mortier de ciment ou colle mastic.

AVIS: S'assurer que le sous-plancher est à niveau avant de procéder. Si nécessaire, utiliser des cales pour la mise à niveau.

IMPORTANT! Fournir un moyen d'acheminer le câble d'interface utilisateur à travers le mur jusqu'à l'amplificateur de commande.

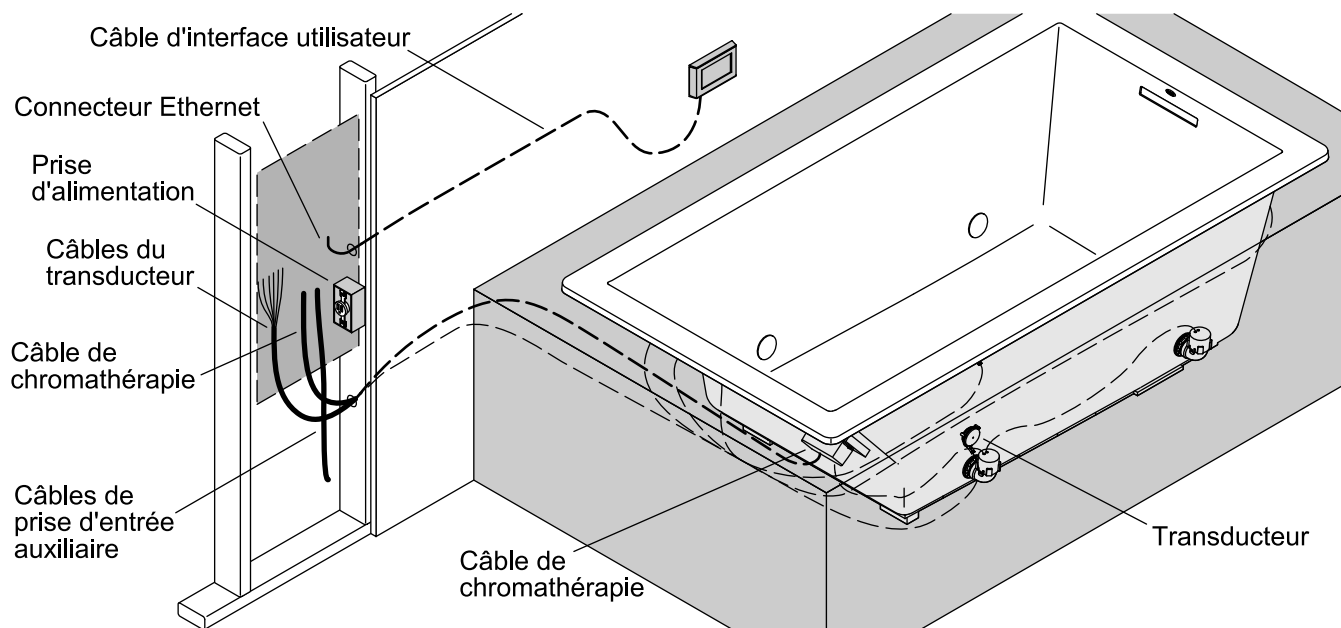
Méthode avec lit de mortier de ciment

AVIS: Ne pas utiliser de plâtre dur ou de mélange pour cloison sèche, car ces matériaux ne fournissent pas une adhésion durable. Utiliser du mortier de ciment uniquement.

- Étaler une couche de mortier de ciment d'une épaisseur de 2" (51 mm) sur le sous-plancher.
- Avec de l'aide, abaisser avec précaution la baignoire dans l'ouverture découpée dans le tablier. Faire particulièrement attention de ne pas endommager les transducteurs, les câbles et (si la baignoire en est équipée) la commande de chromathérapie montée sur la baignoire.
- Appuyer avec précaution sur la baignoire pour qu'elle pénètre dans le mortier de ciment jusqu'à ce que la partie inférieure du rebord de la baignoire soit à au moins 1/16" (2 mm) au dessus du matériau du tablier.
- Vérifier que la partie supérieure de la baignoire est à niveau. Si ce n'est pas le cas, placer des cales sous les blocs de support.
- Placer une bâche propre au fond de la cuve de la baignoire pour protéger la surface de celle-ci.

Méthode avec de colle mastic

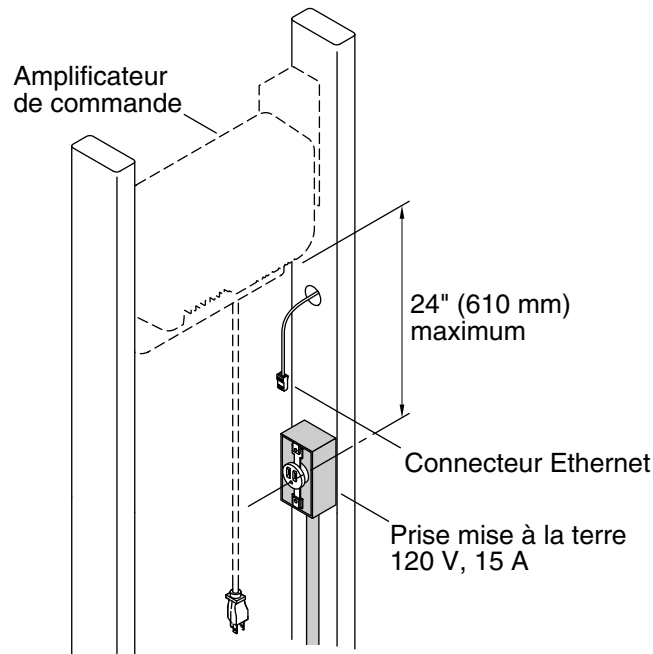
- Appliquer une quantité suffisante de colle mastic de bonne qualité sur la base des blocs de support.
- Avec de l'aide, abaisser avec précaution la baignoire dans l'ouverture découpée dans le tablier. Faire particulièrement attention de ne pas endommager les transducteurs, les câbles et (si la baignoire en est équipée) la commande de chromathérapie montée sur la baignoire.
- Appuyer avec précaution sur le sous-plancher de la baignoire jusqu'à ce que le bas du rebord de la baignoire soit à au moins 1/16" (2 mm) au dessus du matériau du tablier.
- Vérifier que les blocs de support reposent directement sur le sous-plancher. Repositionner ou caler selon les besoins.
- Vérifier que la partie supérieure de la baignoire est à niveau. Si ce n'est pas le cas, placer des cales sous les blocs de support.
- Placer une bâche propre au fond de la cuve de la baignoire pour protéger la surface de celle-ci.



3. Acheminement des câbles

IMPORTANT! La longueur de chacun des câbles qui raccordent l'amplificateur de commande aux transducteurs de la baignoire, à la commande de chromathérapie (si la baignoire en est équipée) et à l'interface utilisateur est de 25' (7,6 m). Prévoir l'emplacement de l'amplificateur de commande afin de ne pas créer de tension au niveau des câbles acheminés.

- Les câbles du transducteur de la baignoire sont enroulés et fixés à l'arrière de la baignoire.
- Utiliser une pince à couper ou des cisailles pour couper l'attache des câbles du transducteur.
- Acheminer avec précaution les câbles du transducteur à travers l'a charpente, en perçant des trous de 1" (52 mm) aux emplacements nécessaires, à l'emplacement prévu pour l'amplificateur de commande.
- Si la baignoire est équipée de lampes de chromathérapie, acheminer avec précaution le câble de chromathérapie en provenance de la commande de chromathérapie sur la baignoire vers l'emplacement prévu pour l'amplificateur de commande, en suivant le même acheminement que celui des câbles du transducteur.
- Acheminer le câble d'interface utilisateur à travers la charpente entre l'emplacement d'interface utilisateur prévu et l'emplacement de l'amplificateur de commande prévu en suivant le même acheminement que celui des câbles du transducteur. Vérifier que le connecteur de type Ethernet plus grand se trouve du côté de l'amplificateur de commande.
- Si nécessaire, acheminer un câble d'entrée auxiliaire (non inclus) jusqu'à l'emplacement prévu pour l'amplificateur de commande. Ce branchement auxiliaire peut être utilisé pour associer des appareils Bluetooth et d'autres appareils audio à piles afin que les utilisateurs puissent jouer leur propre musique avec la baignoire vibracoustique.



4. Installer la prise électrique - États-Unis



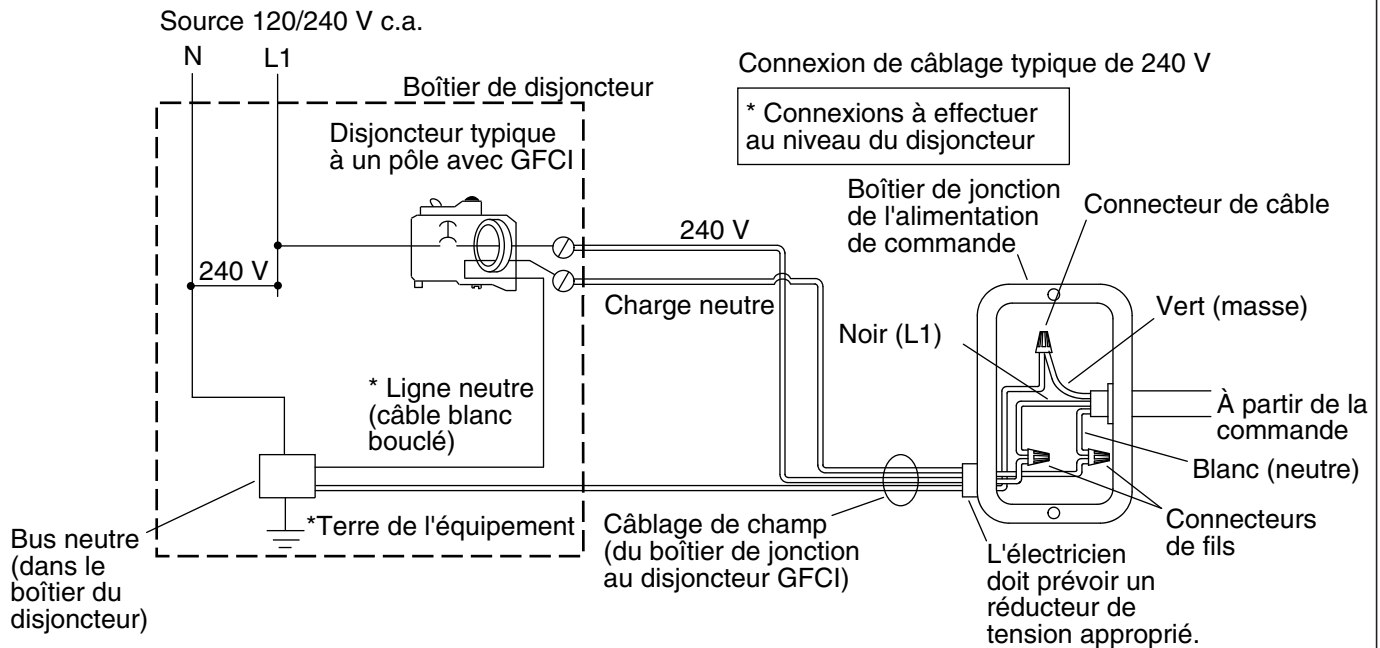
AVERTISSEMENT: Risque de choc électrique. S'assurer que l'alimentation a été débranchée avant d'effectuer les procédures suivantes.

REMARQUE: Pour les installations en Amérique latine, aller à la section "Connexions électriques - Amérique latine".

AVIS: L'amplificateur de commande est équipé d'une prise et d'un cordon. Tout le câblage de l'amplificateur de commande a été réalisé en usine. Un électricien qualifié doit installer une prise mise à la terre de 120 V et 15 A protégée par un disjoncteur de fuite de terre (GFCI) ou un dispositif de protection à courant résiduel (RCD). Aucune autre charge ne doit être branchée sur ce circuit.

- Installer une prise mise à la terre de 120 V et 15 A dans la charpente des pans et à moins de 24" (610 mm) de l'emplacement prévu pour l'amplificateur de commande.

Raccorder conformément aux codes nationaux et locaux. Des cosses de mise à la terre ouvertes sont situées dans le haut du boîtier de jonction.



5. Effectuer les connexions électriques - Amérique latine

REMARQUE: Le numéro de modèle du produit est imprimé sur une étiquette placée du côté lombaire de la baignoire. Cette étiquette identifie également les caractéristiques électriques du produit. **Toutes les baignoires vibracoustiques sont conçues pour fonctionner entre 110 et 240 V à 50 ou 60 Hz.**



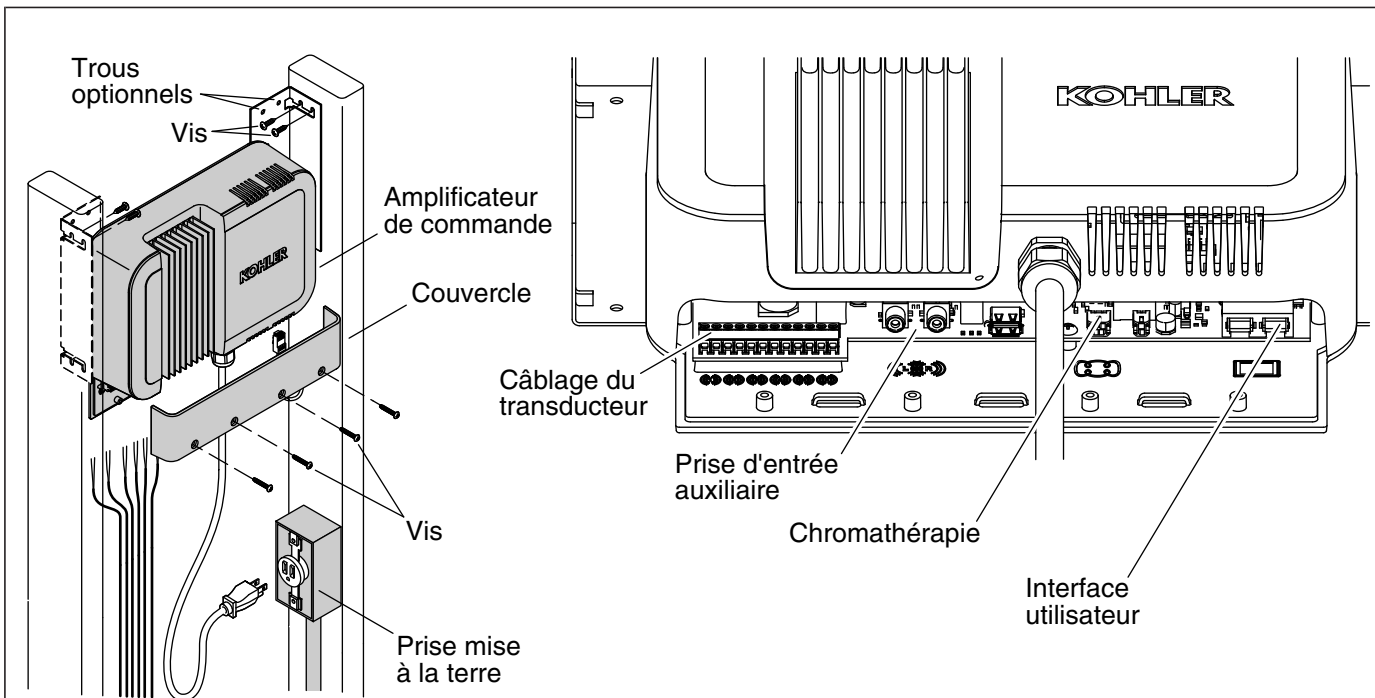
AVERTISSEMENT: Risque d'électrocution. S'assurer que l'alimentation a été débranchée avant d'effectuer les procédures suivantes.



AVERTISSEMENT: Risque d'électrocution. Connecter la baignoire à un disjoncteur de fuite de terre (GFCI) ou à un dispositif à courant résiduel (RCD) mis à la terre de manière adéquate. Ceci fournira une mesure de protection supplémentaire contre le risque d'électrocution par tension phase-terre.

IMPORTANT! Le fil blanc doit être connecté à la borne de charge neutre sur le disjoncteur de fuite de terre (GFCI). Le fil vert est la **terre de l'équipement** et doit être connecté sur le bus neutre dans la boîte du disjoncteur principal.

- Retirer la fiche de 120 V de l'extrémité du cordon électrique.
- Connecter le service à la boîte de jonction avec une fiche de 240 V (non incluse) ou une connexion câblée. La boîte de jonction contient des fils de couleur noire, blanche et verte, ainsi qu'une cosse de mise à la terre.
- Suivre tous les codes électriques locaux. Raccorder conformément aux codes nationaux et locaux.



6. Installer l'amplificateur de commande



AVERTISSEMENT: Risque de choc électrique. Brancher l'amplificateur de commande sur un réceptacle correctement mis à la terre prévu à cet effet et protégé par un disjoncteur de fuite de terre (GFCI) ou un dispositif de protection à courant résiduel (RCD). Ne pas retirer la cosse de mise à la terre de la prise ni utiliser d'adaptateur de mise à la terre.

- Retirer l'amplificateur de commande de son carton d'emballage. **Ne pas** retirer le support de fixation de l'amplificateur de commande.

IMPORTANT! Maintenir le matériel isolant à distance de l'amplificateur de commande. Assurer un espace d'air sans obstruction autour de l'amplificateur de commande pour permettre le refroidissement.

- Une fois que l'amplificateur de commande est à ras avec les montants ou en retrait de ceux-ci, utiliser les vis à bois fournies pour fixer l'amplificateur de commande sur la charpente. Il est également possible d'utiliser les dispositifs d'ancrage fournis pour attacher l'amplificateur de commande à un matériau de mur fini autre que du bois.

REMARQUE: Pour faire en sorte que les connexions de câblage soient plus accessibles, fixer temporairement l'amplificateur de commande avec une vis sur chaque côté. Ceci permet d'incliner l'amplificateur de commande vers l'avant, et les connexions de câblage sont alors plus accessibles. Fixer l'amplificateur de commande avec les vis restantes une fois que les connexions de câblage sont effectuées.

- Retirer le couvercle de l'amplificateur de commande en enlevant les quatre vis. Les conserver pour la réinstallation.

REMARQUE: Les bornes et les fils du transducteur sont numérotés pour permettre d'identifier les connexions appropriées. Lorsque requis, l'amplificateur de commande peut être retiré pour faciliter la procédure de connexion des fils.

- Brancher **solidement** les fils du transducteur sur les bornes de celui-ci - les fils blancs avec noir sont les câbles positifs (+).
- Si la baignoire en est équipée, connecter le connecteur de chromathérapie optionnel à la borne de chromathérapie.
- Connecter le connecteur de l'interface utilisateur à la borne d'interface utilisateur.

Installer l'amplificateur de commande (cont.)

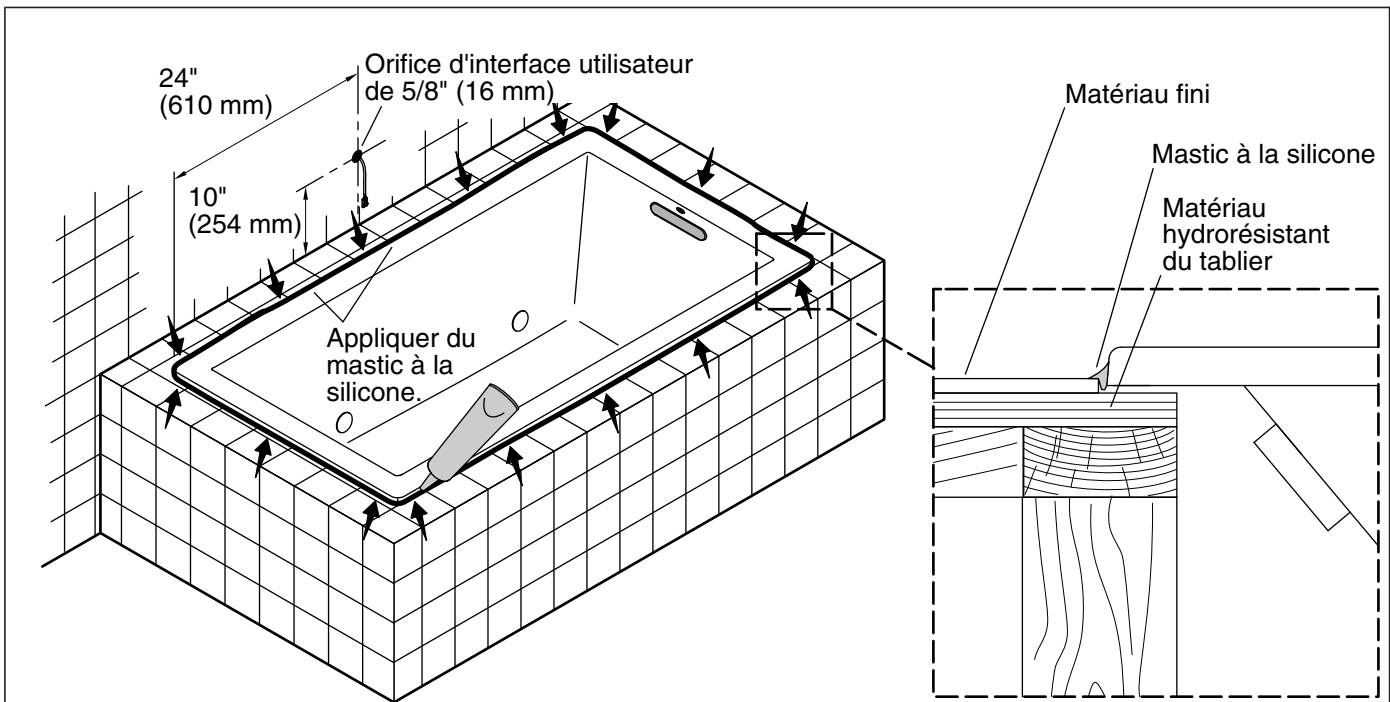
- S'ils sont utilisés, connecter les connecteurs RCA d'entrée auxiliaire optionnels aux bornes d'entrée auxiliaire.
- Réinstaller le couvercle sur l'amplificateur de commande et le fixer en place avec les quatre vis.
- Brancher l'amplificateur de commande sur la prise électrique.

7. Installer la plomberie



ATTENTION: Risque de dommages matériels. Pour éviter les fuites d'eau, poser un joint d'étanchéité sur tous les raccords de drain de la baignoire.

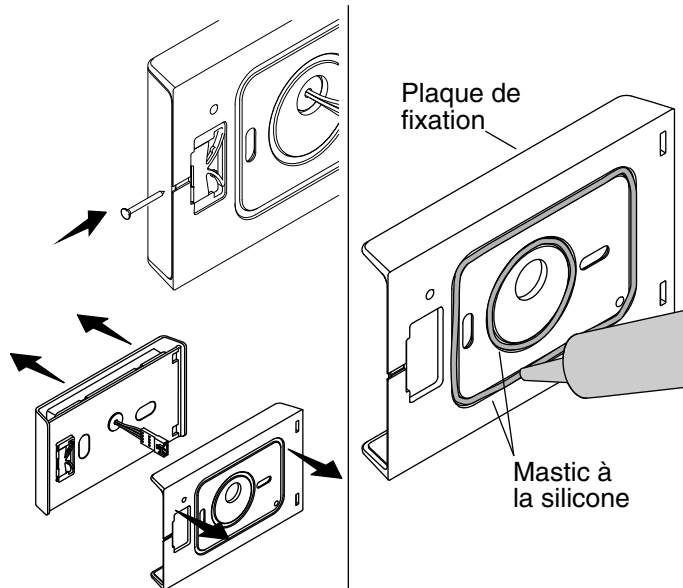
- Connecter le drain au siphon.
- Installer la vanne du robinet selon les instructions du fabricant du robinet. **Ne pas installer la garniture du robinet pour l'instant.**
- Ouvrir les alimentations en eau chaude et eau froide. Inspecter toutes les connexions pour y rechercher des fuites.
- Remplir la baignoire jusqu'au trop-plein et inspecter les connexions du drain pour y rechercher des fuites.



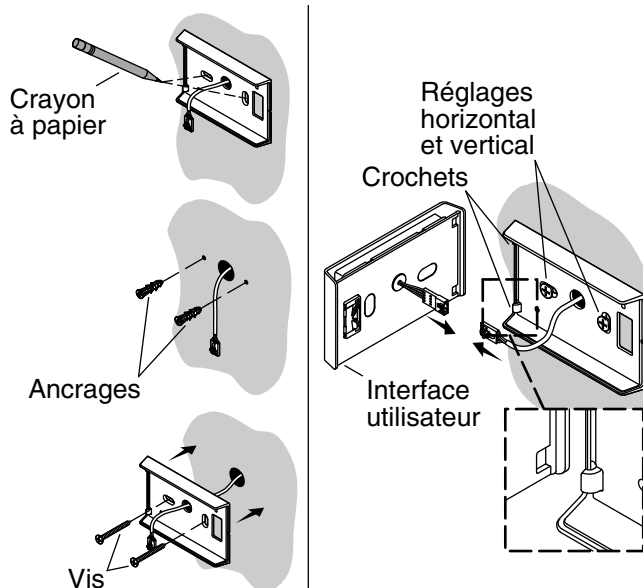
8. Terminer les murs fins

- Couvrir la charpente avec du matériau hydrorésistant.
- **Fournir un accès adéquat** à l'amplificateur de commande.
- Poser du ruban adhésif et de la boue sur le matériau des murs et du tablier. Installer le matériau de mur et de tablier finis. Sceller les joints entre le rebord de la baignoire et le matériau de tablier fini avec du mastic à la silicone.
- Percer un trou de 5/8" (16 mm) dans le matériau du mur à l'endroit exact où sera installée l'interface utilisateur. Voir la section "Plan de raccordement - Composants requis" pour déterminer l'emplacement de l'installation de l'interface utilisateur.
- Acheminer le câble de l'interface utilisateur à travers le trou dans le matériau du mur et placer du ruban adhésif ou fixer le câble d'une autre manière pour l'empêcher de tomber entre les murs.
- Installer la garniture du robinet conformément aux instructions du fabricant de la garniture de robinet.

Vue arrière



Vue avant



9. Installer l'interface utilisateur

- Pousser un clou fin dans l'orifice de l'interface utilisateur et séparer cette dernière de la plaque de fixation.
- Placer la plaque de fixation par-dessus le câble et contre le mur fini de manière à ce que les deux crochets se trouvent sur la gauche, tel qu'illustré dans l'image "Vue avant" ci-dessus. Mettre ensuite la plaque de fixation à niveau et marquer les emplacements des trous pour les vis sur le mur.
- Retirer la plaque de fixation sans laisser le câble tomber entre les murs et percer des trous de 1/4" aux emplacements de trous pour vis marqués.
- Insérer les dispositifs d'ancrage fournis dans les trous.
- Appliquer un boudin de mastic à la silicone sur chaque rainure de mastic à l'arrière de la plaque de fixation.
- Placer la plaque de fixation par-dessus le câble avec les crochets sur la gauche et fixer la plaque de fixation au mur en utilisant les deux vis fournies.
- S'assurer que la surface est à niveau. Desserrer les vis et ajuster la plaque de fixation selon les besoins jusqu'à ce qu'elle soit à niveau. Resserrer les vis.
- Connecter le câble à l'interface utilisateur.
- Engager l'interface utilisateur avec les deux crochets de la plaque de fixation, puis faire fermement pivoter l'interface utilisateur contre la plaque de fixation jusqu'à ce que les deux parties s'enclenchent.
- Se reporter au guide de l'utilisateur inclus avec le produit pour installer, programmer et vérifier le fonctionnement correct du produit.

Dépannage

Ce guide de dépannage est seulement destiné à fournir une aide d'ordre général. Pour des problèmes ou questions concernant l'entretien et l'installation, composer le 1-800-4KOHLER.

Tableau de dépannage

Symptôme	Cause probable	Action recommandée
1. Pas de son; aucun effet ne fonctionne.	<p>A. L'alimentation à l'amplificateur de commande est coupée.</p> <p>B. L'amplificateur de commande doit être réinitialisé.</p> <p>C. L'amplificateur de commande ne fonctionne pas.</p> <p>D. Les connexions du câble de l'interface utilisateur sont desserrées ou endommagées.</p> <p>E. La connexion au module de données des effets est desserrée ou endommagée.</p> <p>F. L'interface utilisateur ne fonctionne pas.</p> <p>G. Un effet n'a pas été sélectionné sur l'interface utilisateur.</p> <p>H. L'intensité vibracoustique est définie sur l'option silencieuse sur l'interface utilisateur.</p>	<p>A. Réinitialiser le disjoncteur pour l'amplificateur de commande, puis vérifier l'alimentation électrique et les connexions.</p> <p>B. Si le voyant DEL rouge sur l'amplificateur de commande ne clignote pas, débrancher l'amplificateur de commande pendant 30 secondes, puis le rebrancher et le redémarrer.</p> <p>C. Si le voyant DEL rouge sur l'amplificateur de commande ne clignote toujours pas après le redémarrage, remplacer l'amplificateur de commande.</p> <p>D. Inspecter le câble afin d'y rechercher des connexions desserrées ou un endommagement. Serrer les connexions ou remplacer le câble selon les besoins.</p> <p>E. Inspecter le module de données afin d'y rechercher une connexion desserrée ou un endommagement. Serrer la connexion ou remplacer le module selon les besoins.</p> <p>F. Remplacer l'interface utilisateur.</p> <p>G. Sélectionner un effet.</p> <p>H. Appuyer sur l'icône [Silence] sur l'interface utilisateur pour désactiver l'option silencieuse.</p>
2. La musique est déformée (résonance non désirée) lorsque les fonctions vibracoustiques sont activées.	<p>A. Le réglage d'intensité est trop élevé sur l'interface utilisateur.</p> <p>B. Les transducteurs sur la surface arrière de la baignoire sont en contact direct avec la charpente, les poutrelles ou tout autre matériel.</p> <p>C. Un ou plusieurs transducteurs sur la surface arrière de la baignoire sont desserrés.</p> <p>D. La baignoire est en contact direct avec la charpente, les poutrelles ou tout autre matériel.</p>	<p>A. Baisser le réglage d'intensité sur l'interface utilisateur.</p> <p>B. Retirer ou repositionner tout matériel qui entre en contact direct avec les transducteurs.</p> <p>C. Faire tourner le ou les transducteurs desserrés dans le sens des aiguilles d'une montre jusqu'à ce qu'ils soient serrés. Ne pas trop serrer.</p> <p>D. Identifier le point de contact et rectifier le problème. La baignoire ne doit pas entrer en contact avec la charpente ou tout autre matériel de support.</p>
3. L'interface utilisateur ne s'allume pas et ne fonctionne pas.	<p>A. L'alimentation à l'amplificateur de commande n'est pas allumée.</p>	<p>A. Réinitialiser le disjoncteur pour l'amplificateur de commande, puis vérifier l'alimentation électrique et les connexions.</p>

Dépannage (cont.)

Tableau de dépannage

Symptôme	Cause probable	Action recommandée
	<p>B. L'amplificateur de commande doit être réinitialisé.</p> <p>C. L'amplificateur de commande ne fonctionne pas.</p> <p>D. Les connexions du câble de l'interface utilisateur sont desserrées ou endommagées.</p> <p>E. L'interface utilisateur ne fonctionne pas.</p>	<p>B. Si le voyant DEL rouge sur l'amplificateur de commande ne clignote pas, débrancher l'amplificateur de commande pendant 30 secondes, puis le rebrancher et le redémarrer.</p> <p>C. Si le voyant DEL rouge sur l'amplificateur de commande ne clignote toujours pas après le redémarrage, remplacer l'amplificateur de commande.</p> <p>D. Inspecter le câble afin d'y rechercher des connexions desserrées ou un endommagement. Serrer les connexions ou remplacer le câble selon les besoins.</p> <p>E. Remplacer l'interface utilisateur.</p>
4. L'interface utilisateur s'allume mais ne fonctionne pas.	<p>A. L'amplificateur de commande doit être réinitialisé.</p> <p>B. L'amplificateur de commande ne fonctionne pas.</p> <p>C. Les connexions du câble de l'interface utilisateur sont desserrées ou endommagées.</p> <p>D. L'interface utilisateur ne fonctionne pas.</p>	<p>A. Si le voyant DEL rouge sur l'amplificateur de commande ne clignote pas, débrancher l'amplificateur de commande pendant 30 secondes, puis le rebrancher et le redémarrer.</p> <p>B. Si le voyant DEL rouge sur l'amplificateur de commande ne clignote toujours pas après le redémarrage, remplacer l'amplificateur de commande.</p> <p>C. Inspecter le câble afin d'y rechercher des connexions desserrées ou un endommagement. Serrer les connexions ou remplacer le câble selon les besoins.</p> <p>D. Remplacer l'interface utilisateur.</p>
5. La musique auxiliaire ne fonctionne pas.	<p>A. L'alimentation à l'amplificateur de commande n'est pas allumée.</p> <p>B. L'amplificateur de commande doit être réinitialisé.</p> <p>C. L'amplificateur de commande ne fonctionne pas.</p> <p>D. L'option de source de musique auxiliaire n'est pas sélectionnée sur l'interface utilisateur.</p> <p>E. Le son vibracoustique est mis sur l'option silencieuse sur l'interface utilisateur.</p>	<p>A. Réinitialiser le disjoncteur pour l'amplificateur de commande, puis vérifier l'alimentation électrique et les connexions.</p> <p>B. Si le voyant DEL rouge sur l'amplificateur de commande ne clignote pas, débrancher l'amplificateur de commande pendant 30 secondes, puis le rebrancher et le redémarrer.</p> <p>C. Si le voyant DEL rouge sur l'amplificateur de commande ne clignote toujours pas après le redémarrage, remplacer l'amplificateur de commande.</p> <p>D. Sélectionner l'option de musique auxiliaire sur l'interface utilisateur.</p> <p>E. Appuyer sur l'icône [Silence] sur l'interface utilisateur pour désactiver l'option silencieuse.</p>

Dépannage (cont.)**Tableau de dépannage**

Symptôme	Cause probable	Action recommandée
	<p>F. L'intensité vibracoustique est baissée sur l'interface utilisateur.</p> <p>G. Les connexions des câbles d'entrée auxiliaire ou de l'interface utilisateur sont desserrées ou endommagées.</p> <p>H. L'interface utilisateur ne fonctionne pas.</p>	<p>F. Monter l'intensité vibracoustique sur l'interface utilisateur.</p> <p>G. Inspecter les câbles pour y rechercher des connexions desserrées ou des endommagements. Serrer les connexions ou remplacer les câbles selon les besoins.</p> <p>H. Remplacer l'interface utilisateur.</p>

Tableau de dépannage pour la chromathérapie (en option)

Symptôme	Cause probable	Action recommandée
1. Les lampes de chromathérapie ne fonctionnent pas.	<p>A. L'alimentation à l'amplificateur de commande est coupée.</p> <p>B. L'amplificateur de commande doit être réinitialisé.</p> <p>C. L'amplificateur de commande ne fonctionne pas.</p> <p>D. Les connexions des câbles de chromathérapie ou de l'interface utilisateur sont desserrées ou endommagées.</p> <p>E. L'interface utilisateur ne fonctionne pas.</p> <p>F. La fonction de chromathérapie n'a pas été sélectionnée sur l'interface utilisateur.</p> <p>G. La commande de chromathérapie ne fonctionne pas.</p>	<p>A. Réinitialiser le disjoncteur pour l'amplificateur de commande, puis vérifier l'alimentation électrique et les connexions.</p> <p>B. Si le voyant DEL rouge sur l'amplificateur de commande ne clignote pas, débrancher l'amplificateur de commande pendant 30 secondes, puis le rebrancher et le redémarrer.</p> <p>C. Si le voyant DEL rouge sur l'amplificateur de commande ne clignote toujours pas après le redémarrage, remplacer l'amplificateur de commande.</p> <p>D. Inspecter les câbles afin d'y rechercher des connexions desserrées ou un endommagement. Serrer ou remplacer les câbles selon les besoins.</p> <p>E. Vérifier que le câble de l'interface utilisateur est bien connecté à l'interface utilisateur et à la borne de l'amplificateur de commande. Si les connexions sont adéquates, remplacer l'interface utilisateur.</p> <p>F. Sélectionner la fonction de chromathérapie sur l'interface utilisateur.</p> <p>G. Remplacer la commande de chromathérapie.</p>
2. Les lampes de chromathérapie ne passent pas par toutes les couleurs.	<p>A. L'amplificateur de commande doit être réinitialisé.</p> <p>B. L'amplificateur de commande ne fonctionne pas.</p>	<p>A. Si le voyant DEL rouge sur l'amplificateur de commande ne clignote pas, débrancher l'amplificateur de commande pendant 30 secondes, puis le rebrancher et le redémarrer.</p> <p>B. Si le voyant DEL rouge sur l'amplificateur de commande ne clignote toujours pas après le redémarrage, remplacer l'amplificateur de commande.</p>

Dépannage (cont.)

Tableau de dépannage pour la chromathérapie (en option)

Symptôme	Cause probable	Action recommandée
	<p>C. Les connexions des câbles de chromathérapie ou de l'interface utilisateur sont desserrées ou endommagées.</p> <p>D. L'interface utilisateur ne fonctionne pas.</p> <p>E. Si aucune des actions recommandées ne corrige le problème, contacter Kohler Co.</p>	<p>C. Inspecter les câbles afin d'y rechercher des connexions desserrées ou un endommagement. Serrer ou remplacer les câbles selon les besoins.</p> <p>D. Faire un cycle de toutes les fonctions de lampes de chromathérapie. Si les lampes de chromathérapie ne passent pas par toutes les couleurs et si l'icône bleue sur l'interface utilisateur n'est pas allumée, remplacer l'interface utilisateur.</p> <p>E. Contacter le service d'assistance à la clientèle en utilisant les coordonnées fournies sur la couverture arrière.</p>
<p>3. Les lampes de chromathérapie restent bloquées sur une couleur pendant le cycle.</p>	<p>A. L'amplificateur de commande doit être réinitialisé.</p> <p>B. L'amplificateur de commande ne fonctionne pas.</p> <p>C. L'interface utilisateur ne fonctionne pas.</p> <p>D. Si aucune des actions recommandées ne corrige le problème, contacter Kohler Co.</p>	<p>A. Si le voyant DEL rouge sur l'amplificateur de commande ne clignote pas, débrancher l'amplificateur de commande pendant 30 secondes, puis le rebrancher et le redémarrer.</p> <p>B. Si le voyant DEL rouge sur l'amplificateur de commande ne clignote toujours pas après le redémarrage, remplacer l'amplificateur de commande.</p> <p>C. Faire un cycle de toutes les fonctions de lampes de chromathérapie. Si les lampes de chromathérapie ne passent pas par toutes les couleurs et si l'icône bleue sur l'interface utilisateur n'est pas allumée, remplacer l'interface utilisateur.</p> <p>D. Contacter le service d'assistance à la clientèle en utilisant les coordonnées fournies sur la couverture arrière.</p>

Guía de instalación

Bañera vibracústica

INSTRUCCIONES IMPORTANTES



ADVERTENCIA: Al usar aparatos eléctricos, siga siempre las precauciones básicas, incluyendo las siguientes:



ADVERTENCIA: Riesgo de sacudida eléctrica. Conecte sólo a un circuito protegido con un interruptor de circuito con pérdida a tierra (GFCI) o dispositivo de corriente residual (RCD). **La conexión a tierra es un requisito.** Un representante de servicio autorizado debe instalar esta unidad y conectarla a tierra.



ADVERTENCIA: Riesgo de sacudida eléctrica. Un electricista calificado debe realizar todo el cableado eléctrico.



ADVERTENCIA: Riesgo de sacudida eléctrica. No haga funcionar dispositivos de audio auxiliar eléctricos cerca del agua.



ADVERTENCIA: Riesgo de sacudida eléctrica. Desconecte el suministro eléctrico antes de dar servicio.

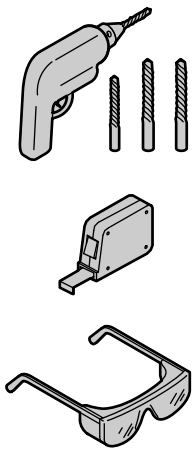
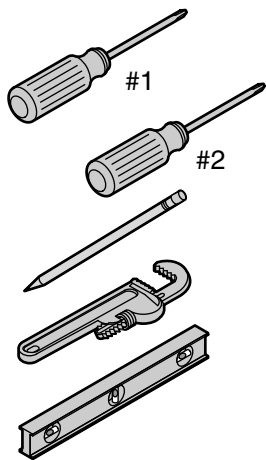


ADVERTENCIA: Riesgo de lesiones personales o daños a la propiedad. Por favor, lea atentamente todas las instrucciones antes de comenzar la instalación.

AVISO: Cumpla con todos los códigos de plomería, eléctricos y de construcción.

AVISO: Si el cable de alimentación eléctrica está dañado, debe ser reemplazado por el fabricante, su agente de servicio o agente igualmente calificado para así evitar un peligro.

Herramientas y materiales



Más:

- Herramientas y materiales convencionales de carpintería
- Postes de madera de 2x4
- Lona
- Cemento mortero (Opcional)
- Adhesivo de construcción (Opcional)

Antes de comenzar



PRECAUCIÓN: Riesgo de lesiones personales. No utilice dispositivos auxiliares conectados a una fuente de energía de CA mientras se baña.



PRECAUCIÓN: Riesgo de daños a la propiedad. No apoye la bañera sobre el borde. La bañera debe quedar soportada por los bloques de soporte solamente.

- Cumpla con todos los códigos locales de plomería, construcción y eléctricos.
- Lea estas instrucciones y determine cuáles son los componentes requeridos y sus lugares de instalación, antes de comenzar la instalación.
- Esta bañera tiene que instalarse como instalación de sobreponer o en isla.
- Determine la ubicación del amplificador de control si se va a instalar a distancia. El amplificador de control incluye un cable de 25' (7,6 m).
- Un electricista calificado debe instalar un tomacorriente eléctrico GFCI o RCD de 120 V, 15 A (240 V, 15 A en América Latina) en la estructura de postes de madera, dentro de una distancia de 24" (610 mm) del amplificador de control. La interface del usuario, los transductores y (si equipada) la cromoterapia se activan a través de las conexiones con el amplificador de control.
- Utilice tubo conduit para tender los cables eléctricos desde el interruptor de circuitos.
- Elija la ubicación para un dispositivo de audio auxiliar, si se utiliza. No ubique dispositivos que utilicen energía eléctrica de CA dentro del alcance de la bañera.
- Planifique con cuidado cómo va a mover la bañera al área de instalación. Esta bañera no cabrá fácilmente a través de los marcos de las puertas.
- Con cuidado saque la bañera nueva y los componentes de la caja y revise que no tengan daños. Verifique que la bañera no tenga daños. Si existe algún problema, no instale la bañera. Informe inmediatamente a su distribuidor del problema específico.
- Una vez hecha la revisión, devuelva la bañera y los componentes a la caja hasta que esté listo para instalar el producto.
- Provea acceso a las conexiones del amplificador de control para dar servicio futuro.
- Para asegurar una instalación exitosa de la bañera, el piso debe estar a nivel.
- Provea el soporte de piso adecuado.
- Provea una estructura de postes de madera que tenga las dimensiones correctas.
- El área del fondo no requiere ningún soporte adicional siempre que el subpiso esté nivelado y a escuadra con la estructura de postes. Considere el uso de cuñas como soporte adicional, en caso de que el subpiso no esté nivelado.
- Para esta bañera no seleccione una grifería de montaje en el borde. En su lugar, seleccione una grifería de montaje a la pared o de montaje en cubierta.
- Planifique el espacio adecuado de montaje y conexión de la grifería.
- Verifique que haya soporte adecuado para la grifería. Las griferías grandes de montaje en cubierta no son adecuadas ni seguras para esta instalación.
- Esta bañera cumple con la norma CSA B45.5/IAPMO Z124. Todas las dimensiones son nominales.

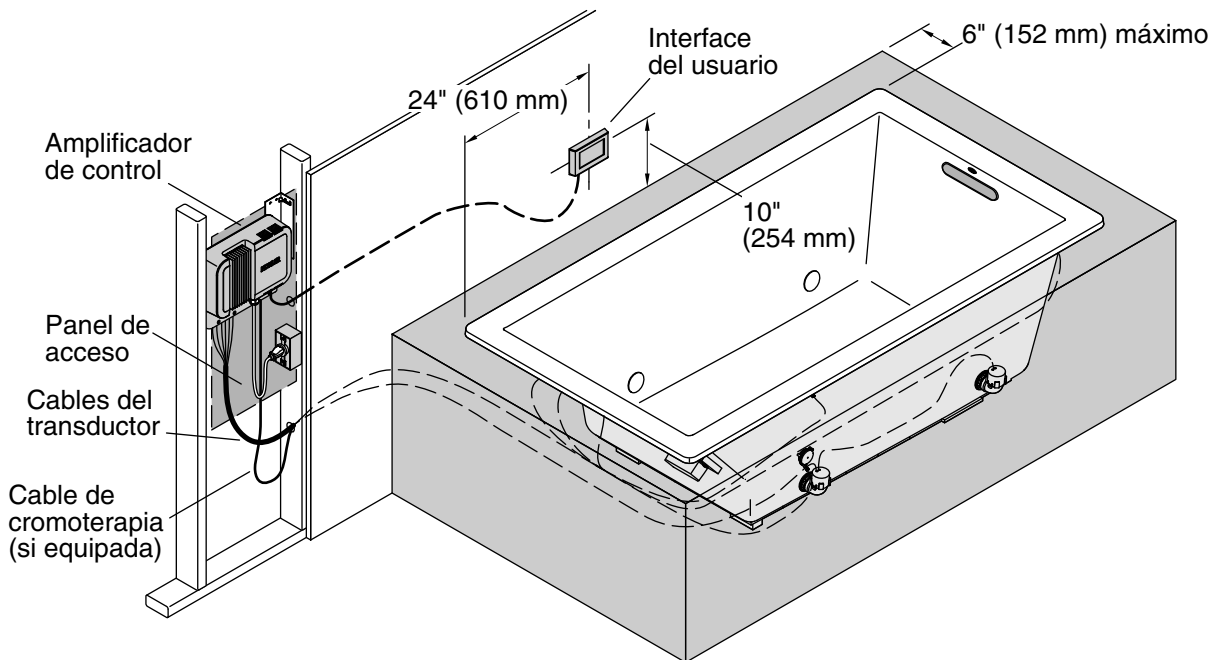


Diagrama de instalación - Componentes requeridos

Para obtener los mejores resultados, siga la secuencia de instalación que se sugiere a continuación. Las instalaciones detalladas y específicas para cada paso de instalación se encuentran en las demás páginas de esta guía de instalación.

NOTA: La ilustración de arriba muestra una instalación típica con los lugares de instalación preferidos para la interfaz del usuario y el amplificador de control.

Secuencia de instalación sugerida

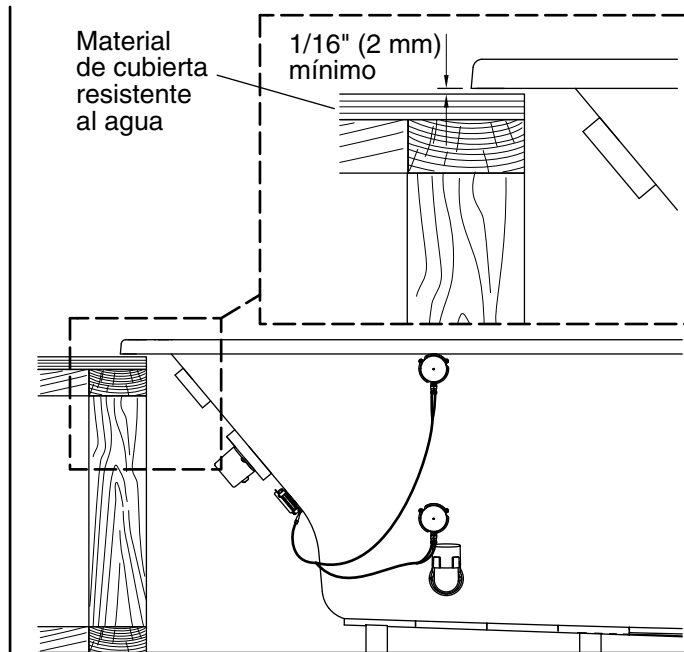
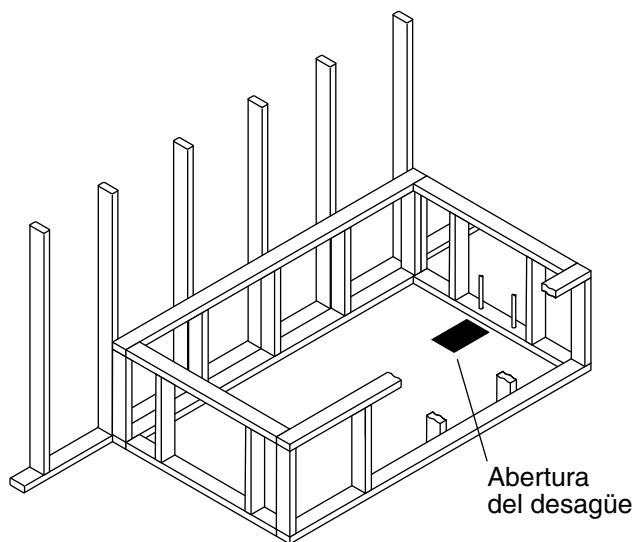
- Determine el lugar de instalación para la bañera, la interfaz del usuario y el amplificador de control.

AVISO: Utilice una estructura de postes de madera para el marco de la bañera. Las estructuras de metal pueden afectar adversamente la calidad vibracústica del producto.

- Determine la ubicación del panel de acceso (requerido) para dar servicio al amplificador de control.
- Construya la estructura de isla o de sobreponer para la bañera.
- Instale el material de la cubierta.
- Tienda todas las líneas de suministro de la plomería para la bañera.
- Instale la bañera y el desagüe.
- Tienda los cables del transductor al área elegida para el amplificador de control.
- Si equipada, tienda el cable de cromoterapia opcional al área elegida para el amplificador de control.
- Tienda el cable de la interfaz del usuario desde el área del amplificador de control a la ubicación de la interfaz del usuario.
- Instale un tomacorriente dentro de 24" (610 mm) del área elegida para el amplificador de control.
- Instale el amplificador de control.
- Conecte el transductor, la interfaz del usuario, el dispositivo auxiliar opcional y los cables de cromoterapia (si equipada) al amplificador de control.

Diagrama de instalación - Componentes requeridos (cont.)

- Termine las paredes y la cubierta, e instale el panel de acceso requerido para el amplificador de control.
- Conecte el cable de la interface del usuario a la interface del usuario e instale la interface del usuario.



1. Prepare el sitio

AVISO: Mida su producto real para la preparación del lugar. Visite la página del producto en www.kohler.com para más información.

Piso

AVISO: Provea el soporte de piso adecuado.

- Instale el soporte de piso adecuado.

AVISO: Para asegurar una instalación exitosa, es importante que la bañera se instale en un subpiso a nivel.

- Verifique que el subpiso esté a nivel. Ajuste a que quede a nivel, si es necesario.

Estructura de postes



PRECAUCIÓN: Riesgo de daños a la propiedad. No apoye la bañera sobre el borde. La bañera debe quedar soportada por los bloques de soporte solamente.

AVISO: Utilice una estructura de madera o concreto para el marco de la bañera. La estructura de madera ofrecerá la mejor calidad vibracústica.

AVISO: Si va a instalar el amplificador de control entre postes de madera, la separación entre postes de madera debe ser 16" (406 mm).

NOTA: La estructura de madera ilustrada no tiene la pared acabada ni materiales de cubierta. Al construir la estructura de postes de madera planee para el espesor del material de la cubierta y la pared. Al planear la construcción de la estructura de postes de madera, tome en cuenta el espesor de los materiales de la cubierta acabada y del panel de acceso.

AVISO: Para asegurar que la bañera no descansa en el borde, provea una separación de 1/16" (2 mm) entre la estructura de postes de madera y el lado inferior del borde.

AVISO: Esta bañera tiene que instalarse como instalación de sobreponer o en isla. Si va a instalar una grifería de montaje en cubierta, planifique un espacio en la cubierta para la grifería.

Prepare el sitio (cont.)

- Construya la estructura de postes de madera.
- Mida y corte la abertura de la cubierta al tamaño y fije a la parte superior del área de la estructura de postes de madera. Asegúrese de que exista una separación mínima de 1/16" (2 mm) entre la estructura de postes de madera y el lado inferior del borde. Asegúrese que el espacio sea correcto probando como queda la bañera a través de la cubierta.

¡IMPORTANTE! Los cables que conectarán el amplificador de control a los transductores de la bañera, las luces de cromoterapia (si equipada) y la interface del usuario tienen una longitud de 25' (7,6 m) cada uno. Con cuidado planee y coloque el amplificador de control de manera que estos cables tendidos alcancen fácilmente sin aplicar tensión en los cables.

- Elija el lugar preferido para el amplificador de control, luego construya la estructura de postes de manera o cavidad de postes de madera.

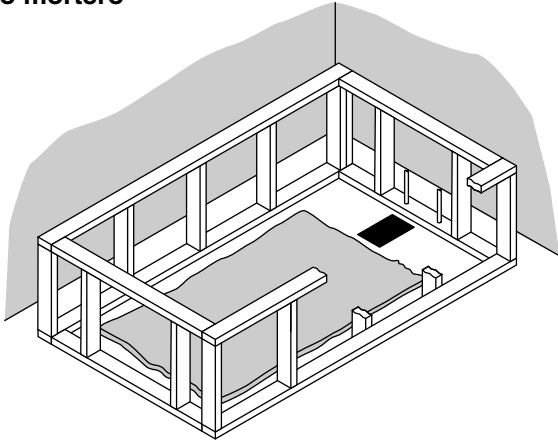
Plomería

- Ubique e instale la tubería del desagüe y suministro.
- Tape los suministros y verifique que no haya fugas.

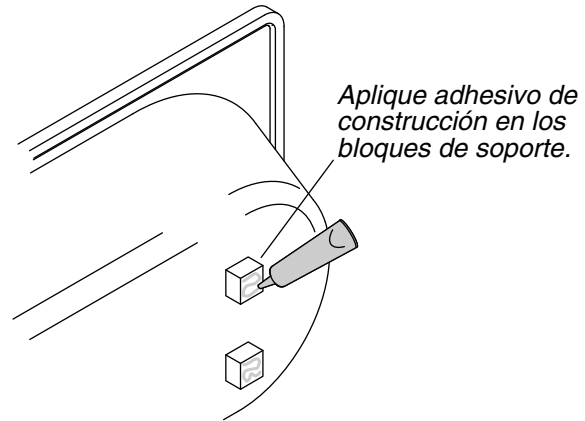
¡IMPORTANTE! Para instalaciones con desagüe a través del piso, perforo un orificio en el subpiso para las conexiones del desagüe.

- Fije el desagüe a la bañera según las instrucciones contenidas con el desagüe. **Aún no conecte la trampa.**

Cemento mortero



Adhesivo de construcción



2. Instale la bañera

AVISO: La bañera debe fijarse utilizando uno de los dos métodos siguientes: capa de cemento mortero o adhesivo de construcción.

AVISO: Asegúrese de que el subpiso esté a nivel antes de continuar. Si es necesario, coloque cuñas para poner a nivel.

¡IMPORTANTE! Provea una manera de tender el cable de la interface del usuario a través de la pared al amplificador de control.

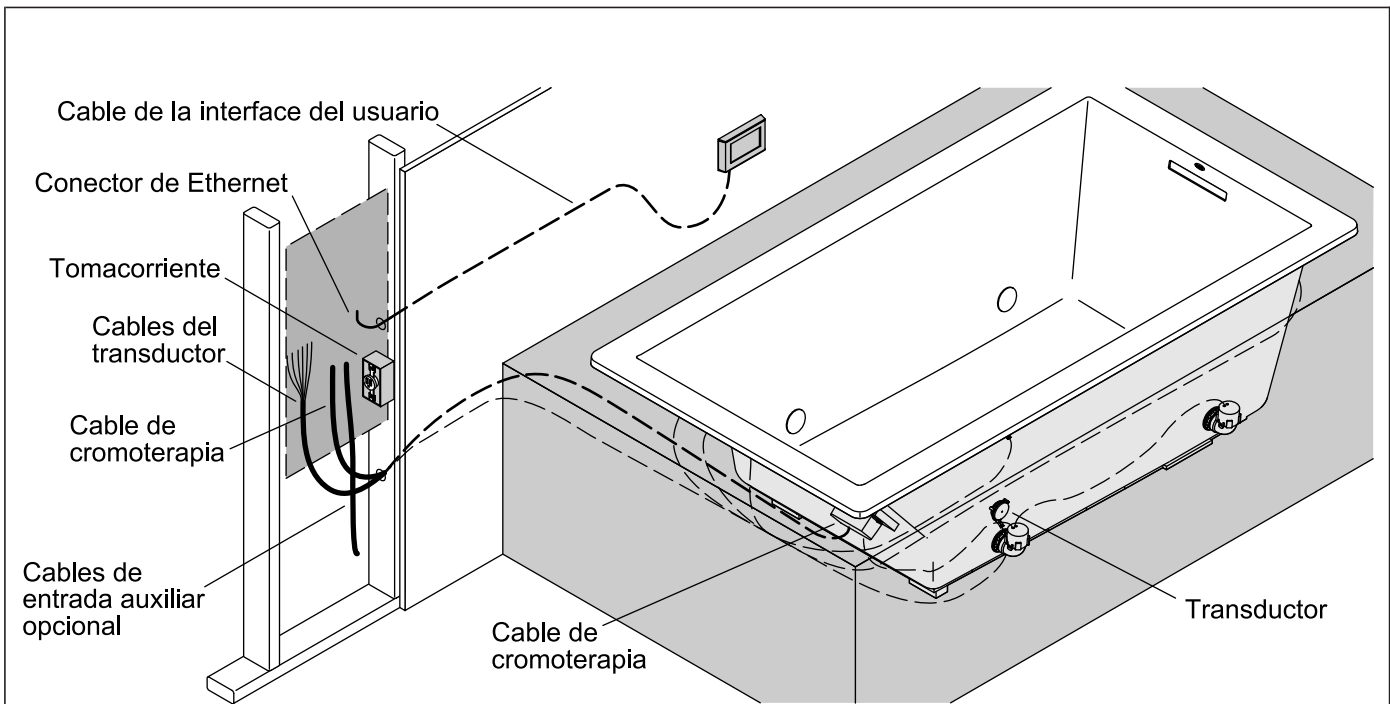
Método de capa de cemento mortero

AVISO: No utilice cemento de yeso o pasta para paneles de yeso, estos materiales no proporcionarán una adherencia duradera. Sólo utilice cemento mortero.

- Extienda una capa de 2" (51 mm) de espesor de cemento mortero en el subpiso
- Obtenga ayuda y levante con cuidado la bañera a través de la abertura cortada en la cubierta. Tenga cuidado adicional para evitar dañar los transductores, los cables y (si equipada) el control de cromoterapia instalados en la bañera.
- Con cuidado presione la bañera en la capa de cemento mortero hasta que la parte inferior del borde de la bañera esté a por lo menos 1/16" (2 mm) arriba del material de la cubierta.
- Verifique que la bañera esté a nivel a través de la parte superior de la bañera. Si la bañera no está a nivel, instale cuñas debajo de los bloques de soporte.
- Coloque una lona limpia en el fondo de la bañera para proteger la superficie de la bañera.

Método de adhesivo de construcción

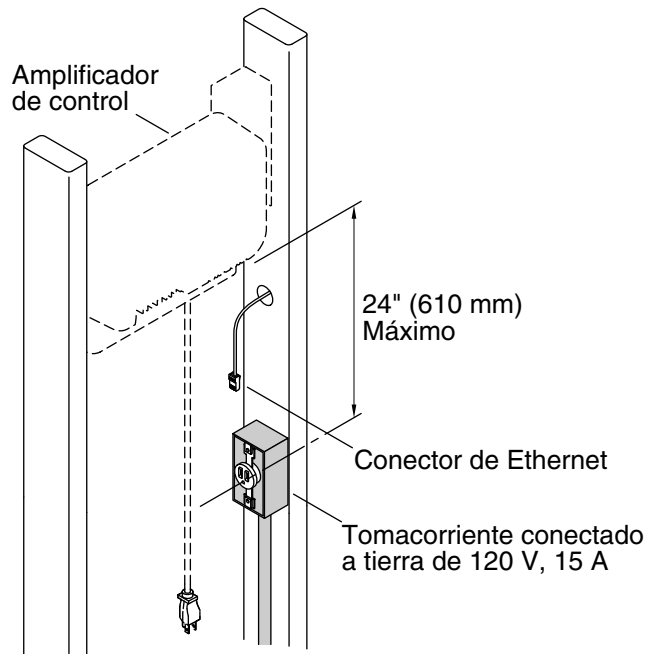
- Aplique una cantidad abundante de adhesivo de construcción de alta calidad en la parte inferior de los bloques de soporte.
- Obtenga ayuda y levante con cuidado la bañera a través de la abertura cortada en la cubierta. Tenga cuidado adicional para evitar dañar los transductores, los cables y (si equipada) el control de cromoterapia instalados en la bañera.
- Con cuidado presione la bañera en el subpiso hasta que la parte inferior del borde de la bañera esté a por lo menos 1/16" (2 mm) arriba del material de la cubierta.
- Verifique que los bloques de soporte descansen directamente en el subpiso. Cambie la posición o coloque cuñas según sea necesario.
- Verifique que la bañera esté a nivel a través de la parte superior de la bañera. Si la bañera no está a nivel, instale cuñas debajo de los bloques de soporte.
- Coloque una lona limpia en el fondo de la bañera para proteger la superficie de la bañera.



3. Tienda los cables

¡IMPORTANTE! Los cables que conectarán el amplificador de control a los transductores de la bañera, el control de cromoterapia (si equipada) y la interface del usuario tienen una longitud de 25' (7,6 m) cada uno. Planifique la posición del amplificador de control de manera que estos cables, cuando se tiendan y se conecten, alcancen fácilmente sin aplicar tensión en los cables.

- Los cables de transductor de la bañera están enrollados y fijados a la parte posterior de la bañera.
- Utilice unas tijeras de chapa o cizallas para cortar el sujeta cables que asegura los cables del transductor.
- Con cuidado tienda los cables del transductor a través de la estructura de postes, taladrando orificios de 1" (52 mm) donde sea necesario, al lugar planeado para el amplificador de control.
- Si equipada con luces de cromoterapia, con cuidado tienda el cable de cromoterapia desde el control de cromoterapia en la bañera al lugar planeado para el amplificador, siguiendo la misma ruta que los cables del transductor.
- Tienda el cable de la interface del usuario a través de la estructura de postes de madera desde el lugar planeado para la interface del usuario al lugar planeado para el amplificador de control, siguiendo la misma ruta que los cables del transductor. Asegúrese de que el conector estilo Ethernet quede en el extremo del amplificador de control.
- Si se usa, tienda un cable de entrada auxiliar (no provisto) al lugar planeado para la instalación del amplificador de control. Esta conexión auxiliar se puede usar para conectar dispositivos de Bluetooth y otros dispositivos de audio de pilas para los usuarios puedan reproducir su propia música con la bañera vibracústica.



4. Instale el tomacorriente eléctrico - Estados Unidos



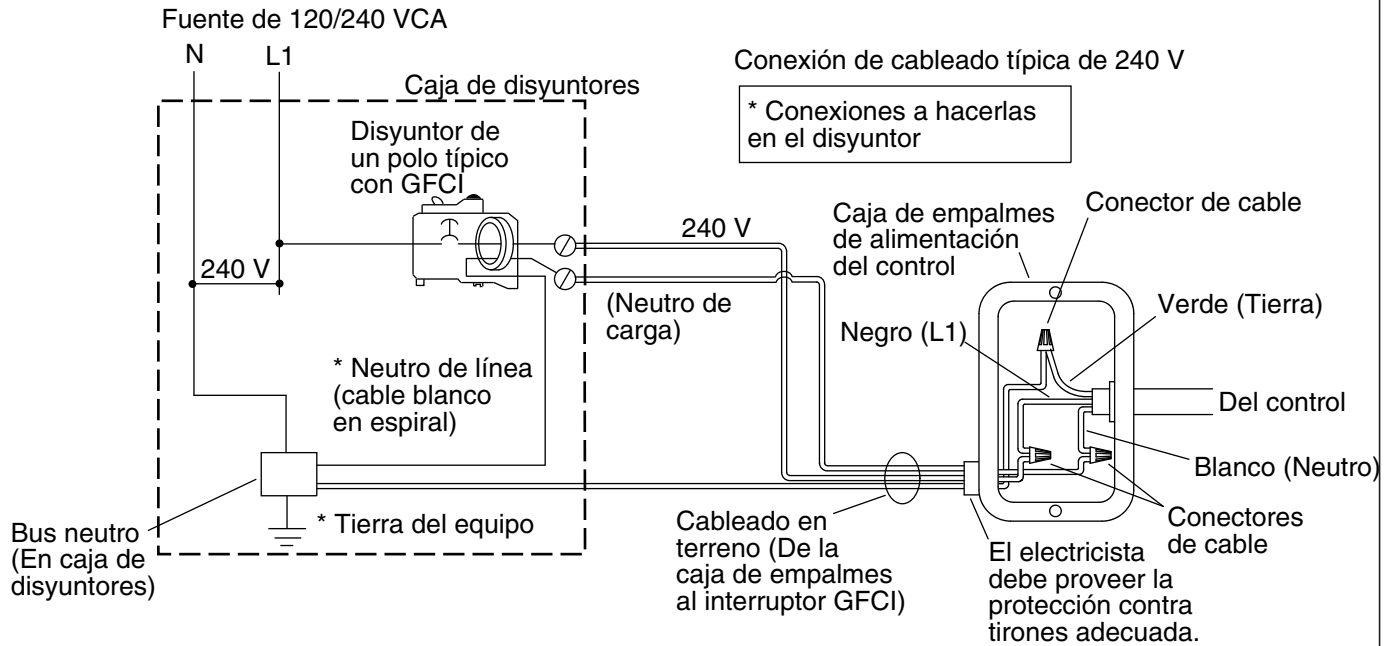
ADVERTENCIA: Riesgo de sacudida eléctrica. Asegúrese de desconectar la corriente eléctrica antes de realizar el siguiente procedimiento.

NOTA: Para instalaciones en América Latina, pase a la sección "Conexiones eléctricas - América Latina".

AVISO: El amplificador de control está equipado de un cable y un enchufe. Todo el cableado del amplificador de control se ha realizado en fábrica. Un electricista calificado debe instalar un tomacorriente conectado a tierra, de 120 V, 15 A con protección mediante un interruptor GFCI o RCD. Este circuito no debe tener ninguna otra carga.

- Instale un tomacorriente con conexión a tierra, de 120 V, 15 A en la estructura de la pared y dentro de 24" (610 mm) del lugar planeado para el amplificador de control.

Cumpla con los códigos nacionales y locales.
Las lengüetas de conexión a tierra abiertas se encuentran en la parte superior de la caja de empalmes.



5. Realice las conexiones eléctricas - América Latina

NOTA: El número de modelo del producto está impreso en una etiqueta en el lado lumbar de la bañera. Esta etiqueta también identifica la capacidad nominal eléctrica del producto. **Todas las bañeras vibracústicas están diseñadas para funcionamiento entre 110 V y 240 V, en 50 Hz o 60 Hz.**



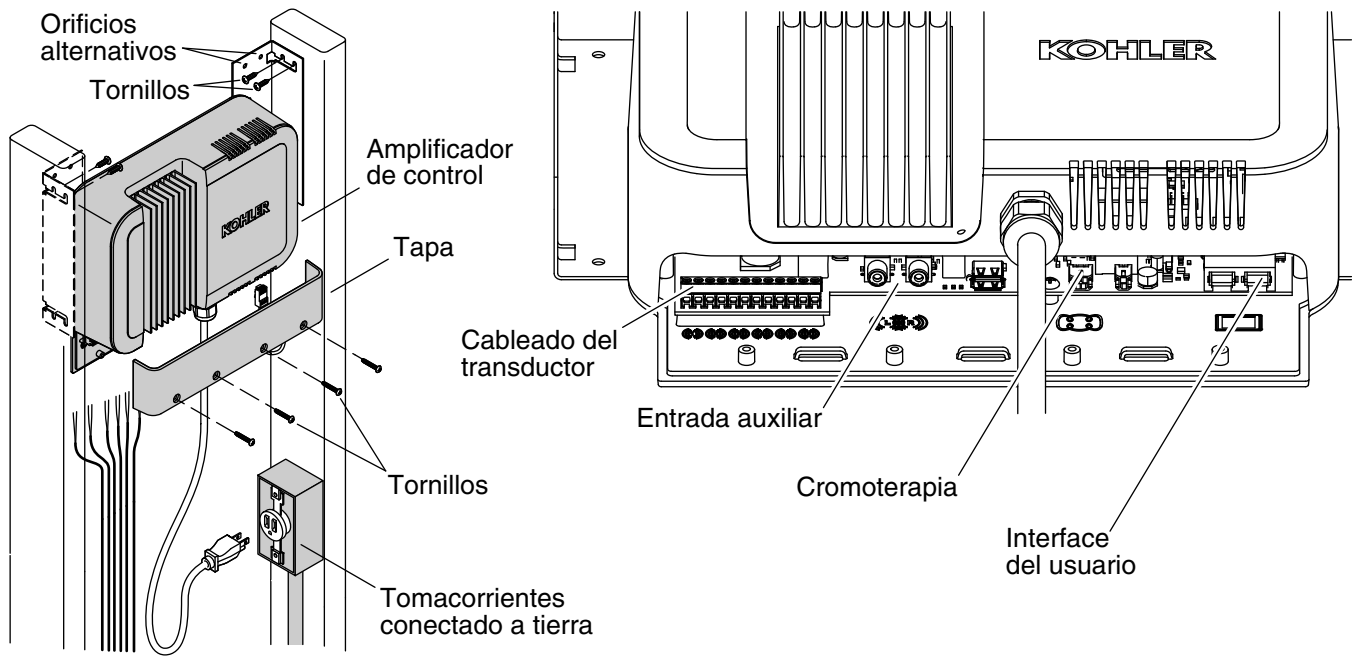
ADVERTENCIA: Riesgo de descarga eléctrica. Asegúrese de desconectar la corriente eléctrica antes de realizar el siguiente procedimiento.



ADVERTENCIA: Riesgo de descarga eléctrica. Conecte la bañera a un interruptor, con conexión a tierra, de circuito con pérdida a tierra (GFCI) o dispositivo de corriente residual (RCD). Esto servirá de protección adicional contra el peligro de sacudida eléctrica de línea a tierra.

¡IMPORTANTE! El cable blanco debe conectarse al terminal de neutro de carga en el interruptor de circuito con pérdida a tierra (GFCI). El cable verde es la **tierra del equipo** y se tiene que conectar al bus neutro en la caja de disyuntores principal.

- Retire el tapón de 120 V del extremo del cable eléctrico.
- Conecte el servicio eléctrico a la caja de empalmes con una conexión de enchufe de 240 V (no provisto) o cableado directo. La caja de empalmes tiene cables de color negro, blanco y verde y una lengüeta de conexión a tierra
- Cumpla con todos los códigos eléctricos locales. Cumpla con los códigos nacionales y locales.



6. Instale el amplificador de control



ADVERTENCIA: Riesgo de sacudida eléctrica. Conecte el amplificador de control a un tomacorriente conectado a tierra apropiadamente, protegido por un interruptor de circuito con pérdida a tierra (GFCI) o dispositivo de corriente residual (RCD). No quite la clavija de conexión a tierra del enchufe ni utilice un adaptador de conexión a tierra.

- Retire el amplificador de control de la caja. **NO** retire el soporte de montaje del amplificador de control.

¡IMPORTANTE! Mantenga los materiales de aislamiento alejados del amplificador de control. Provea un espacio de aire sin obstrucciones al rededor del amplificador de control para permitir el enfriamiento.

- Con el amplificador de control ubicado al ras con o empotrado en los postes de madera, utilice los tornillos para madera provistos para fijar el amplificador de control a la estructura de madera. También puede usar los anclajes provistos para fijar el amplificador de control al material de la pared acabada que no sea madera.

NOTA: Para que las conexiones de cable sean más accesibles, fije provisionalmente el amplificador de control con un tornillo a un lado. Esto permite que el amplificador de control se levante hacia delante, haciendo más accesibles las conexiones de cable. Fije el amplificador de control con los tornillos restantes después de hacer las conexiones de cable.

- Retire la tapa del amplificador de control retirando los cuatro tornillos. Guarde para volver a instalar.

NOTA: Los terminales del transductor y los cables están numerados para identificación de las conexiones correctas. Cuando se requiera, el amplificador de control se puede retirar para facilitar el proceso de conexión de cables.

- Fije **con seguridad** los cables del transductor a los terminales del transductor - los cables blanco con negro son los conductores positivos (+).
- Si equipada, conecte el conector de cromoterapia opcional al terminal de cromoterapia.
- Conecte el conector de la interface del usuario al terminal de la interface del usuario.
- Si equipada, conecte los conectores RCA de entrada auxiliar opcional a los terminales de entrada auxiliar.

Instale el amplificador de control (cont.)

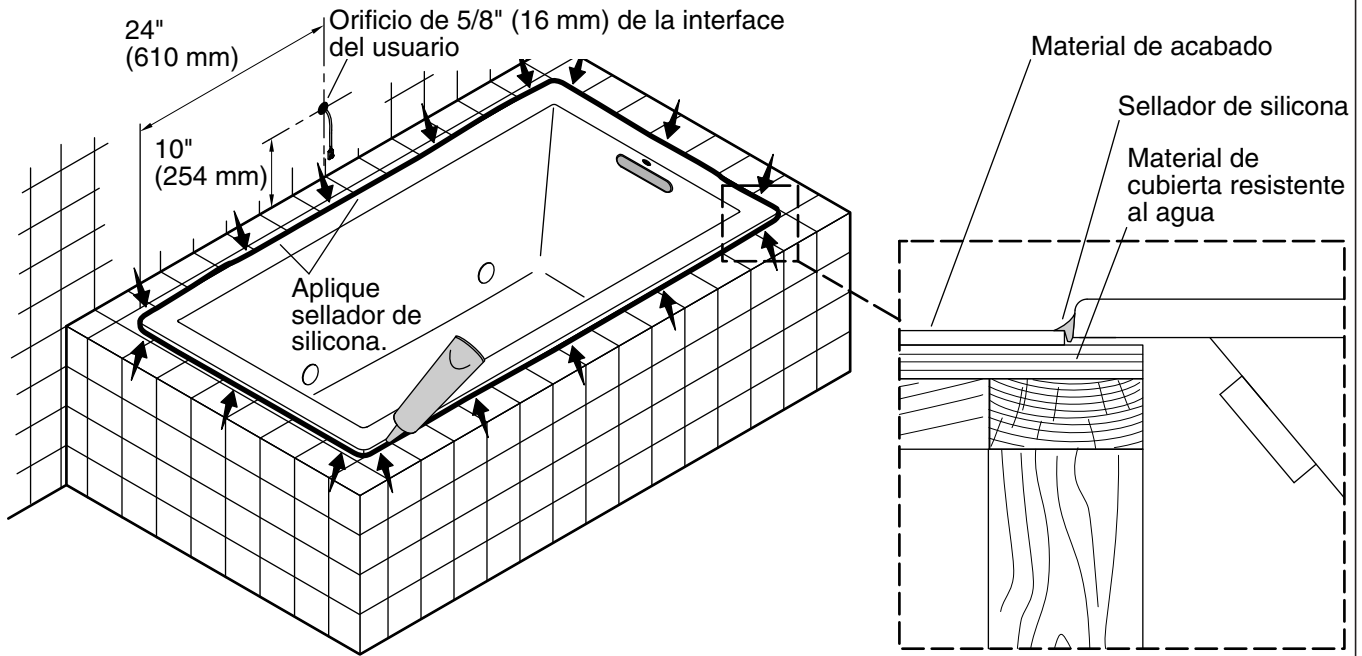
- Vuelva a instalar la tapa al amplificador de control, y fije con los cuatro tornillos.
- Enchufe el amplificador de control al tomacorriente.

7. Instale la plomería



PRECAUCIÓN: Riesgo de daños a la propiedad. Asegure un sello hermético en todas las conexiones del desagüe de la bañera para evitar fugas de agua.

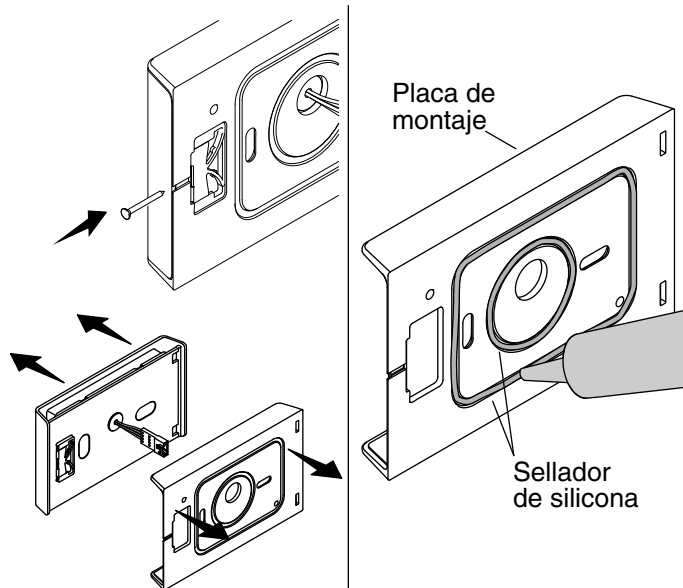
- Conecte el desagüe a la trampa.
- Instale la válvula de la grifería según las instrucciones del fabricante de la grifería. **No instale la guarnición de la grifería en este momento.**
- Abra los suministros del agua fría y caliente. Revise que no haya fugas en las conexiones.
- Llene la bañera hasta el rebosadero y revise que las conexiones del desagüe no presenten fugas.



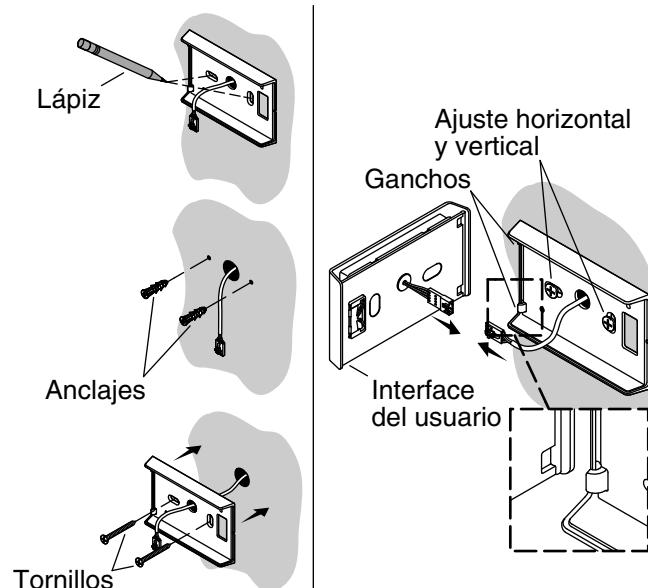
8. Termine las paredes acabadas

- Cubra la estructura de postes de madera con material resistente al agua.
- **Provea acceso adecuado** al amplificador de control.
- Adhiera los materiales de la pared y la cubierta con cinta y yeso. Instale los materiales de acabado de la pared y la cubierta. Selle las juntas entre el borde de la bañera y el material de la cubierta acabada con sellador de silicona.
- Taladre un orificio de 5/8" (16 mm) a través del material de la pared exactamente donde instalará la interface del usuario. Consulte la sección "Diagrama de instalación - Componentes requeridos" para determinar el lugar de instalación de la interface del usuario.
- Tienda el cable de la interface del usuario a través del orificio del material de la pared, y use cinta o otro medio para fijar el cable de manera que no se caiga entre las paredes.
- Instale la guarnición de la grifería según las instrucciones del fabricante de la guarnición de la grifería.

Vista posterior



Vista frontal



9. Instale la interface del usuario

- Empuje un clavo delgado en el orificio en la interface del usuario y separe la interface del usuario de la placa de montaje.
- Coloque la placa de montaje sobre el cable y contra la pared acabada de manera que los dos ganchos estén a la izquierda, como se muestra en la imagen "Vista frontal" arriba. Luego nivele la placa de montaje y marque los lugares de los orificios para tornillo en la pared.
- Retire la placa de montaje sin permitir que el cable se caiga entre las paredes y taladre orificios de 1/4" en los lugares marcados para los orificios para los tornillos.
- Inserte los anclajes de pared provistos en los orificios.
- Aplique una tira de sellador de silicona en cada ranura de sellado en el lado posterior de la placa de montaje.
- Coloque la placa de montaje sobre el cable con los ganchos a la izquierda y fije la placa de montaje a la pared utilizando los dos tornillos provistos.
- Verifique que esté a nivel. Afloje los tornillos y ajuste la placa de montaje según sea necesario hasta que quede a nivel. Vuelva a apretar los tornillos.
- Conecte el cable a la interface del usuario.
- Enganche la interface del usuario con los dos ganchos de la placa de montaje, luego gire la interface del usuario contra la placa de montaje hasta que encajen juntos.
- Consulte la Guía del usuario provista con el producto para configurar, programar y verificar el funcionamiento correcto del producto.

Guía para resolver problemas

Esta guía para resolver problemas está diseñada únicamente como ayuda general. Si tiene preguntas con respecto al servicio o a la instalación, llame al 1-800-4KOHLER.

Tabla para resolver problemas

Síntoma	Causa probable	Acción recomendada
1. No hay sonido; ninguna experiencia funciona.	<p>A. No hay corriente eléctrica al amplificador de control.</p> <p>B. Se debe restablecer el amplificador de control.</p> <p>C. El amplificador de control no funciona.</p> <p>D. Las conexiones de cable de la interface del usuario están flojas o dañadas.</p> <p>E. La conexión del módulo de datos de experiencias está floja o dañada.</p> <p>F. La interface del usuario no funciona.</p> <p>G. No se ha seleccionado una experiencia en la interface del usuario.</p> <p>H. La intensidad vibracústica está silenciada en la interface del usuario.</p>	<p>A. Restablezca el interruptor de circuitos al amplificador de control, luego verifique el suministro de energía eléctrica y las conexiones.</p> <p>B. Si el LED rojo en el amplificador de control no está parpadeando, desenchufe el amplificador de control por 30 segundos, luego enchúfelo y vuelva a iniciar.</p> <p>C. Si el LED rojo en el amplificador de control aún no parpadea después de volver a iniciar, reemplace el amplificador de control.</p> <p>D. Revise que las conexiones del cable no estén flojas ni dañadas. Apriete las conexiones o reemplace el cable según sea necesario.</p> <p>E. Revise que la conexión del módulo de datos no esté floja ni dañada. Apriete las conexiones o reemplace el módulo según sea necesario.</p> <p>F. Reemplace la interface del usuario.</p> <p>G. Seleccione una experiencia.</p> <p>H. Toque el icono [Silenciar] en la interface del usuario para apagar la configuración de silenciar.</p>
2. La música se distorsiona (resonancia no deseable) cuando las funciones vibracústicas están activadas.	<p>A. La configuración de la intensidad está muy alta en la interface del usuario.</p> <p>B. Los transductores de la superficie posterior de la bañera están en contacto directo con la estructura de postes de madera, viguetas u otros materiales.</p> <p>C. Uno o más de los transductores de la superficie posterior de la bañera están flojos.</p> <p>D. La bañera está en contacto directo con la estructura de madera, viguetas u otros materiales.</p>	<p>A. Reduzca el valor de intensidad en la interface del usuario.</p> <p>B. Retire o cambie la posición de los materiales que estén en contacto directo con los transductores.</p> <p>C. Gire el o los transductores flojos hacia la derecha con sus dedos hasta apretar. No apriete demasiado.</p> <p>D. Identifique el punto de contacto y corrija. La bañera no debe hacer contacto con la estructura de madera o materiales de soporte.</p>
3. La interface del usuario no se ilumina y no funciona.	<p>A. No hay corriente eléctrica al amplificador de control.</p> <p>B. Se debe restablecer el amplificador de control.</p>	<p>A. Restablezca el interruptor de circuitos al amplificador de control, luego verifique el suministro de energía eléctrica y las conexiones.</p> <p>B. Si el LED rojo en el amplificador de control no está parpadeando, desenchufe el amplificador de control por 30 segundos, luego enchúfelo y vuelva a iniciar.</p>

Guía para resolver problemas (cont.)

Tabla para resolver problemas

Síntoma	Causa probable	Acción recomendada
	<p>C. El amplificador de control no funciona.</p> <p>D. Las conexiones de cable de la interface del usuario están flojas o dañadas.</p> <p>E. La interface del usuario no funciona.</p>	<p>C. Si el LED rojo en el amplificador de control aún no parpadea después de volver a iniciar, reemplace el amplificador de control.</p> <p>D. Revise que las conexiones del cable no estén flojas ni dañadas. Apriete las conexiones o reemplace el cable según sea necesario.</p> <p>E. Reemplace la interface del usuario.</p>
4. La interface del usuario se ilumina pero no funciona.	<p>A. Se debe restablecer el amplificador de control.</p> <p>B. El amplificador de control no funciona.</p> <p>C. Las conexiones de cable de la interface del usuario están flojas o dañadas.</p> <p>D. La interface del usuario no funciona.</p>	<p>A. Si el LED rojo en el amplificador de control no está parpadeando, desenchufe el amplificador de control por 30 segundos, luego enchúfelo y vuelva a iniciar.</p> <p>B. Si el LED rojo en el amplificador de control aún no parpadea después de volver a iniciar, reemplace el amplificador de control.</p> <p>C. Revise que las conexiones del cable no estén flojas ni dañadas. Apriete las conexiones o reemplace el cable según sea necesario.</p> <p>D. Reemplace la interface del usuario.</p>
5. La música auxiliar no funciona.	<p>A. No hay corriente eléctrica al amplificador de control.</p> <p>B. Se debe restablecer el amplificador de control.</p> <p>C. El amplificador de control no funciona.</p> <p>D. La opción de fuente de música auxiliar no está seleccionada en la interface del usuario.</p> <p>E. El sonido vibracústico está silenciado en la interface del usuario.</p> <p>F. La intensidad vibracústica está reducida en la interface del usuario.</p> <p>G. Las conexiones de cable de la interface del usuario o de la entrada auxiliar están flojas o dañadas.</p> <p>H. La interface del usuario no funciona.</p>	<p>A. Restablezca el interruptor de circuitos al amplificador de control, luego verifique el suministro de energía eléctrica y las conexiones.</p> <p>B. Si el LED rojo en el amplificador de control no está parpadeando, desenchufe el amplificador de control por 30 segundos, luego enchúfelo y vuelva a iniciar.</p> <p>C. Si el LED rojo en el amplificador de control aún no parpadea después de volver a iniciar, reemplace el amplificador de control.</p> <p>D. Seleccione la opción de música auxiliar en la interface del usuario.</p> <p>E. Toque el icono [Silenciar] en la interface del usuario para apagar la configuración de silenciar.</p> <p>F. Aumente la intensidad vibracústica en la interface del usuario.</p> <p>G. Revise que las conexiones de los cables no estén flojas ni dañadas. Apriete las conexiones o reemplace los cables según sea necesario.</p> <p>H. Reemplace la interface del usuario.</p>

Guía para resolver problemas (cont.)

Tabla para resolver problemas de cromoterapia (opcional)

Síntoma	Causa probable	Acción recomendada
1. Las luces de cromoterapia no funcionan.	<p>A. No hay corriente eléctrica al amplificador de control.</p> <p>B. Se debe restablecer el amplificador de control.</p> <p>C. El amplificador de control no funciona.</p> <p>D. Las conexiones de los cables de cromoterapia o de la interface del usuario están flojas o dañadas.</p> <p>E. La interface del usuario no funciona.</p> <p>F. La función de cromoterapia no se ha seleccionado en la interface del usuario.</p> <p>G. El control de cromoterapia no funciona.</p>	<p>A. Restablezca el interruptor de circuitos al amplificador de control, luego verifique el suministro de energía eléctrica y las conexiones.</p> <p>B. Si el LED rojo en el amplificador de control no está parpadeando, desenchufe el amplificador de control por 30 segundos, luego enchúfelo y vuelva a iniciar.</p> <p>C. Si el LED rojo en el amplificador de control aún no parpadea después de volver a iniciar, reemplace el amplificador de control.</p> <p>D. Revise que las conexiones de los cables no estén flojas ni dañadas. Apriete o reemplace los cables según sea necesario.</p> <p>E. Verifique que el cable de la interface del usuario esté conectado con seguridad a la interface del usuario y al terminal del amplificador de control. Si las conexiones están buenas, reemplace la interface del usuario.</p> <p>F. Seleccione la función de cromoterapia en la interface del usuario.</p> <p>G. Reemplace el control de cromoterapia.</p>
2. Las luces de cromoterapia no cambian de color en el ciclo de todos los colores.	<p>A. Se debe restablecer el amplificador de control.</p> <p>B. El amplificador de control no funciona.</p> <p>C. Las conexiones de los cables de cromoterapia o de la interface del usuario están flojas o dañadas.</p> <p>D. La interface del usuario no funciona.</p> <p>E. Si ninguna de las acciones recomendadas corrigen el problema, comuníquese con Kohler Co.</p>	<p>A. Si el LED rojo en el amplificador de control no está parpadeando, desenchufe el amplificador de control por 30 segundos, luego enchúfelo y vuelva a iniciar.</p> <p>B. Si el LED rojo en el amplificador de control aún no parpadea después de volver a iniciar, reemplace el amplificador de control.</p> <p>C. Revise que las conexiones de los cables no estén flojas ni dañadas. Apriete o reemplace los cables según sea necesario.</p> <p>D. Pase por todas las funciones de las luces de cromoterapia. Si las luces de cromoterapia no pasan por el ciclo de todos los colores y el icono azul de la interface del usuario no se ilumina, reemplace la interface del usuario.</p> <p>E. Comuníquese con el Centro de Atención al Cliente utilizando la información de contacto de la última página.</p>

Guía para resolver problemas (cont.)

Tabla para resolver problemas de cromoterapia (opcional)

Síntoma	Causa probable	Acción recomendada
3. Las luces de cromoterapia se quedan bloqueadas en un color al ciclar.	<p>A. Se debe restablecer el amplificador de control.</p> <p>B. El amplificador de control no funciona.</p> <p>C. La interface del usuario no funciona.</p> <p>D. Si ninguna de las acciones recomendadas corrigen el problema, comuníquese con Kohler Co.</p>	<p>A. Si el LED rojo en el amplificador de control no está parpadeando, desenchufe el amplificador de control por 30 segundos, luego enchúfelo y vuelva a iniciar.</p> <p>B. Si el LED rojo en el amplificador de control aún no parpadea después de volver a iniciar, reemplace el amplificador de control.</p> <p>C. Pase por todas las funciones de las luces de cromoterapia. Si las luces de cromoterapia no pasan por el ciclo de colores y el icono azul de la interface del usuario no se ilumina, reemplace la interface del usuario.</p> <p>D. Comuníquese con el Centro de Atención al Cliente utilizando la información de contacto de la última página.</p>

USA/Canada: 1-800-4KOHLER

México: 001-800-456-4537

kohler.com

THE BOLD LOOK
OF **KOHLER**®

©2013 Kohler Co.

1181167-2-E