

FEATURES

- Solid brass construction for durability and reliability
- Pressure-balancing technology maintains water temperature within +/- 3 degrees Fahrenheit
- High-temperature limit stop allows you to preset a comfortable maximum temperature to eliminate scalding
- Complements the Pinna Paletta collection

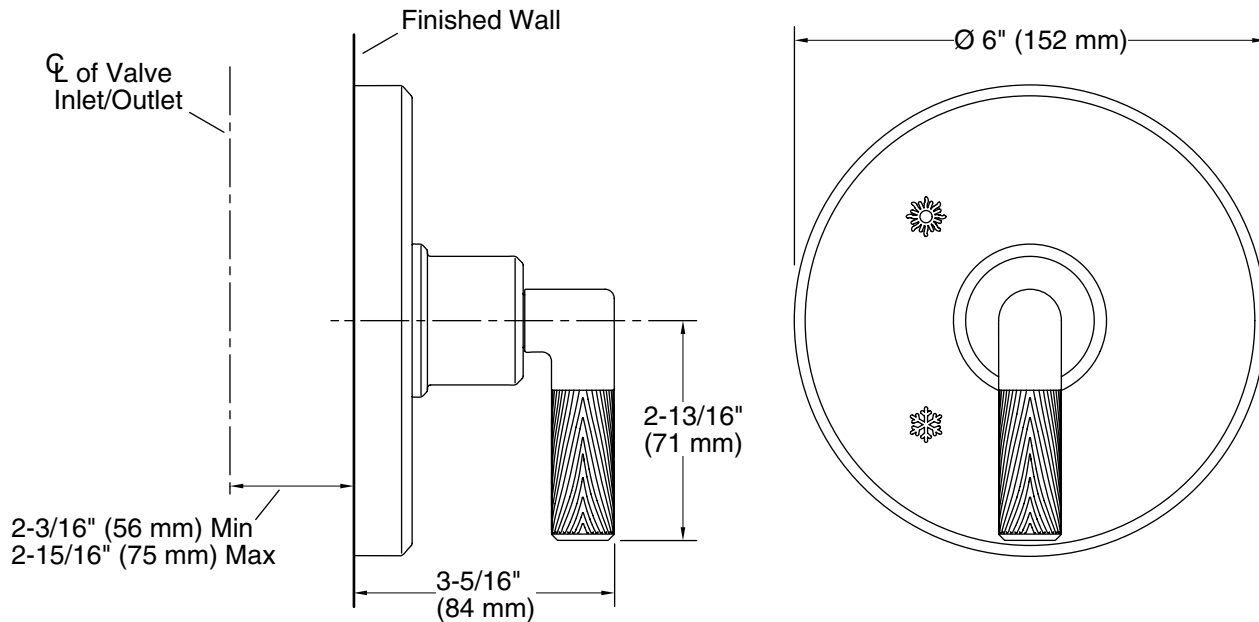
CODES/STANDARDS APPLICABLE

Specified model meets or exceeds the following:

- ASME A112.18.1/CSA B125.1 (pending)
- ICC/ANSI A117.1 (pending)
- ADA* (pending)
- OBC* (pending)
- CSA B651* (pending)

* Compliant when installed to the specific requirement of this regulation

P24915



SPECIFIED MODEL

Model	Description	Finishes
P24915-CPH	Pinna Paletta Pressure Balance Valve Trim, w/Polished Chrome Accented Lever Handle	<input type="checkbox"/> CP Polished Chrome
P24915-SNW	Pinna Paletta Pressure Balance Valve Trim, w/Polished Nickel Accented Lever Handle	<input type="checkbox"/> SN Polished Nickel
P24915-ULB	Pinna Paletta Pressure Balance Valve Trim, w/Unlacquered Brass Accented Lever Handle	<input type="checkbox"/> ULB Unlacquered Brass
Required Rough-In		
P19310-00	Pressure Balance Rough-in for P24915	<input type="checkbox"/> NA
P19310-US	Pressure Balance Valve, with stops - PEX inlet (cold expansion)	<input type="checkbox"/> NA
P19310-WS	Pressure Balance Rough-in with Stops for P24915	<input type="checkbox"/> NA
P29500-00	Pressure Balance Rough-in & Thermostatic Cartridge for P24915	<input type="checkbox"/> NA
P29500-WS	Pressure Balance Rough-in & Thermostatic Cartridge with Stops for P24915	<input type="checkbox"/> NA

We reserve the right to make revisions without notice in the design of products or in packaging unless this right has specifically been waived at the time the order is accepted.