

KALLISTA® Ceiling-Mount/Wall-Mount Shower Arm

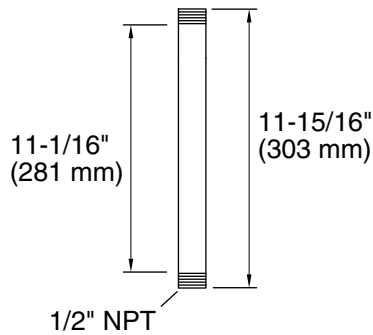
FEATURES

- Solid brass construction for durability and reliability
- 1/2" NPT connection
- Complements Kallista Raindomes

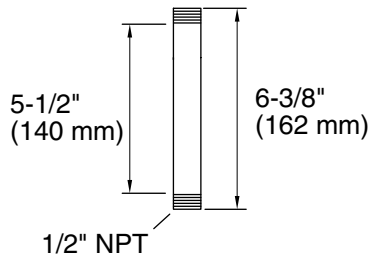
CODES/STANDARDS APPLICABLE

- Specified model meets or exceeds the following:
- ASME A112.18.1/CSA B125.1

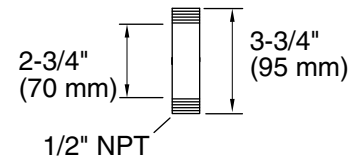
**P21520, P21521,
P21522, P21523**



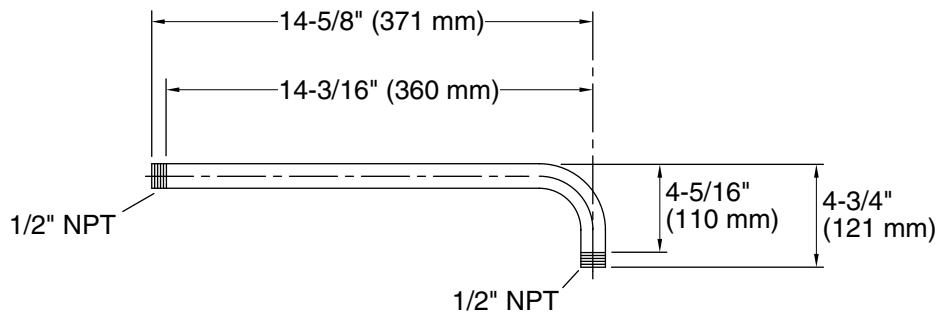
P21522



P21521



P21520



P21523

SPECIFIED MODEL

Model	Description	Finishes			
P21520-00	3" Ceiling-Mount Shower Arm	<input type="checkbox"/> CP Polished Chrome	<input type="checkbox"/> AD Nickel Silver	<input type="checkbox"/> AG Brushed Nickel	<input type="checkbox"/> ULB Unlacquered Brass
		<input type="checkbox"/> LB Bronze	<input type="checkbox"/> SN Polished Nickel	<input type="checkbox"/> BV Brushed Bronze	<input type="checkbox"/> AF French Gold
		<input type="checkbox"/> GN Gunmetal	<input type="checkbox"/> BL Matte Black		
P21521-00	6" Ceiling-Mount Shower Arm	<input type="checkbox"/> CP Polished Chrome	<input type="checkbox"/> AD Nickel Silver	<input type="checkbox"/> AG Brushed Nickel	<input type="checkbox"/> ULB Unlacquered Brass
		<input type="checkbox"/> LB Bronze	<input type="checkbox"/> SN Polished Nickel	<input type="checkbox"/> BV Brushed Bronze	<input type="checkbox"/> AF French Gold
		<input type="checkbox"/> GN Gunmetal	<input type="checkbox"/> BL Matte Black		
P21522-00	12" Ceiling-Mount Shower Arm	<input type="checkbox"/> CP Polished Chrome	<input type="checkbox"/> AD Nickel Silver	<input type="checkbox"/> AG Brushed Nickel	<input type="checkbox"/> ULB Unlacquered Brass
		<input type="checkbox"/> LB Bronze	<input type="checkbox"/> SN Polished Nickel	<input type="checkbox"/> BV Brushed Bronze	<input type="checkbox"/> AF French Gold
		<input type="checkbox"/> GN Gunmetal	<input type="checkbox"/> BL Matte Black		
P21523-00	Wall-Mount Shower Arm	<input type="checkbox"/> CP Polished Chrome	<input type="checkbox"/> AD Nickel Silver	<input type="checkbox"/> AG Brushed Nickel	<input type="checkbox"/> ULB Unlacquered Brass
		<input type="checkbox"/> LB Bronze	<input type="checkbox"/> SN Polished Nickel	<input type="checkbox"/> BV Brushed Bronze	<input type="checkbox"/> AF French Gold
		<input type="checkbox"/> GN Gunmetal	<input type="checkbox"/> BL Matte Black		

We reserve the right to make revisions without notice in the design of products or in packaging unless this right has specifically been waived at the time the order is accepted.