

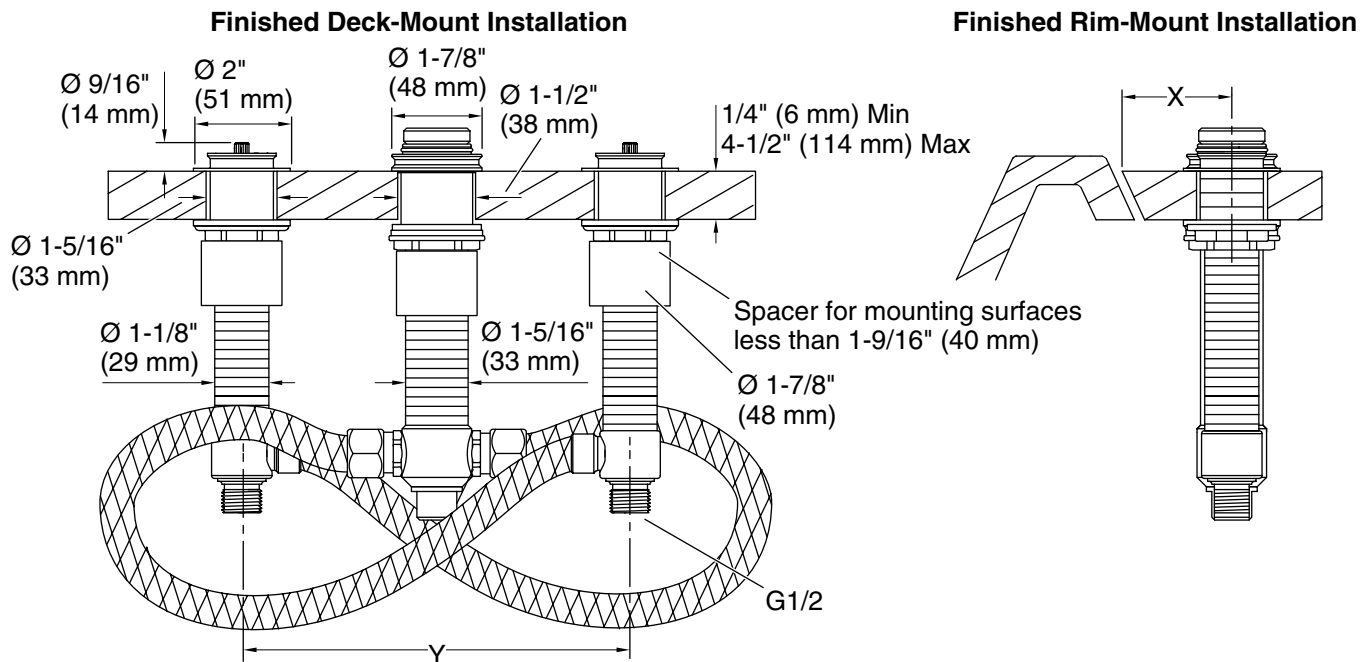
FEATURES

- Solid brass construction for durability and reliability
- Finished rim- or deck-mount installation only
- 1/2" quarter-turn washerless ceramic disc valves
- High-Flow valving
- Eliminates the need for a transfer valve and transfer valve trim on the bath deck
- 11 gal/min (41.6 l/min) to 12 gal/min (45.4 l/min) flow rate at 45 psi (310.3 kPa)

CODES/STANDARDS APPLICABLE

- Specified model meets or exceeds the following:
- ASME A112.18.1/CSA B125.1

P19304T



X = Distance from centerline of spout inlet to front of spout base plus 1/2" (13 mm).

Y = Distance between valve body centerlines vary. Minimum distance is 8" (203 mm).

SPECIFIED MODEL

| Model | Description | Finishes |
|------------|---|-----------------------------|
| P19304T-00 | Rim- or Deck-Mount Bath Valve with Diverter | <input type="checkbox"/> NA |

We reserve the right to make revisions without notice in the design of products or in packaging unless this right has specifically been waived at the time the order is accepted.