

FEATURES

- Solid metal construction for durability and reliability
- 1.5 gal/min (5.7 l/min) flow rate
- Single-hole mounting
- Three-function pull-down sprayhead with touch control allows you to switch from aerated stream, to Sweep® spray, to Boost™
- Sweep® spray creates a wide, forceful blade of water for superior cleaning
- Boost™ technology increases the flow rate up to 2.2 gal/min (8.3 l/min) with the press of a button
- Magnetic docking arm that securely locks the sprayhead into place
- Master Clean sprayface features an easy-to-clean surface that withstands mineral buildup
- Ceramic disc valves exceed industry longevity standards, ensuring durable performance for life
- Complements the Juxtapose kitchen faucet collection

CODES/STANDARDS APPLICABLE

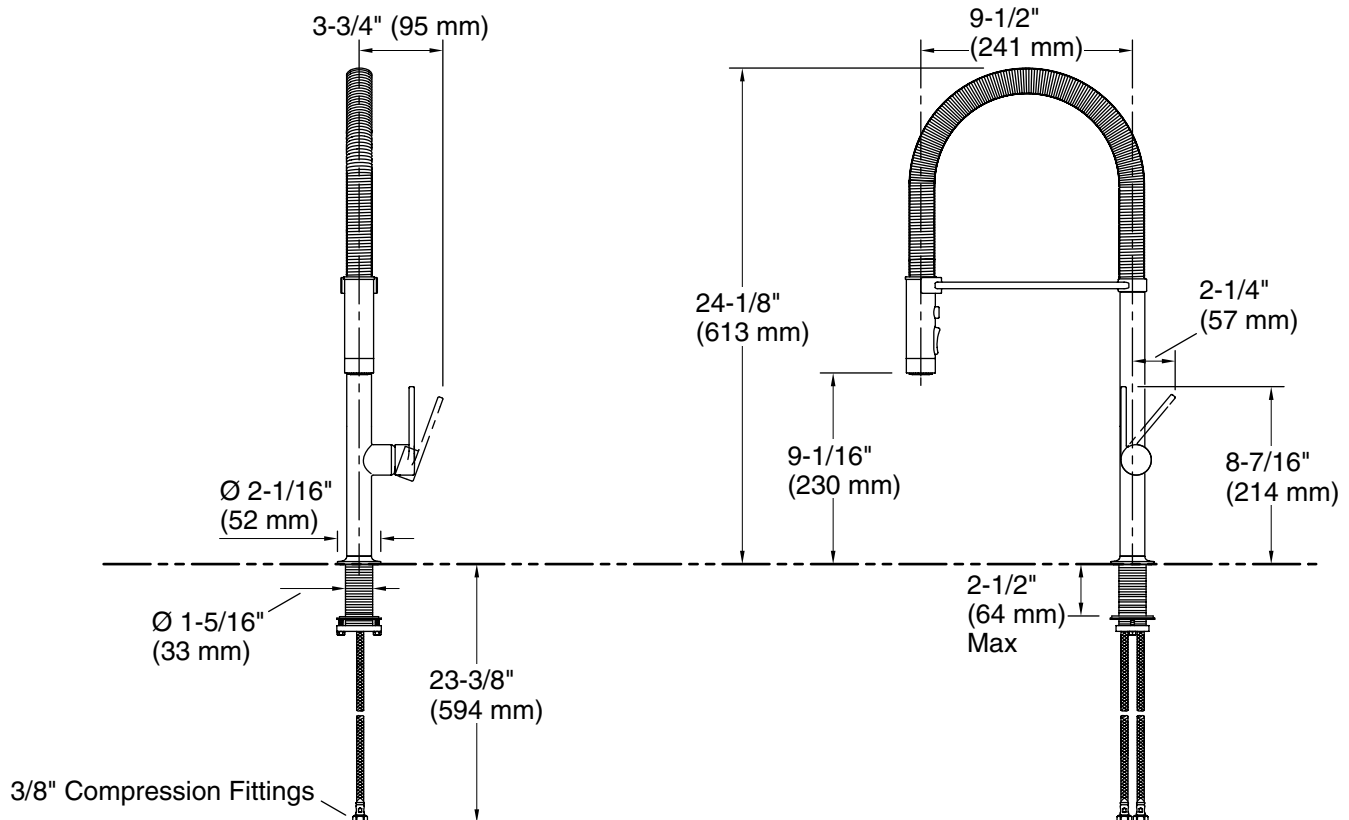
Specified model meets or exceeds the following:

- ASME A112.18.1/CSA B125.1
- NSF/ANSI 61
- NSF/ANSI 372
- CSA B651
- ADA
- ICC/ANSI A117.1
- DOE - Energy Policy Act 1992
- California Energy Commission (CEC)
- All applicable US Federal and State material regulations

P23174

ADA

CSA B651



SPECIFIED MODEL

Model	Description	Finishes	
P23174-LV	Juxtapose Semi-Professional Kitchen Sink Faucet	<input type="checkbox"/> CP Polished Chrome	<input type="checkbox"/> BL Matte Black
P23174-SN	Juxtapose Semi-Professional Kitchen Sink Faucet w/ Polished Nickel Accents	<input type="checkbox"/> VS Stainless	
P23174-2MB	Juxtapose Semi-Professional Kitchen Sink Faucet w/ Brushed Brass Accents	<input type="checkbox"/> BL Matte Black	

We reserve the right to make revisions without notice in the design of products or in packaging unless this right has specifically been waived at the time the order is accepted.