

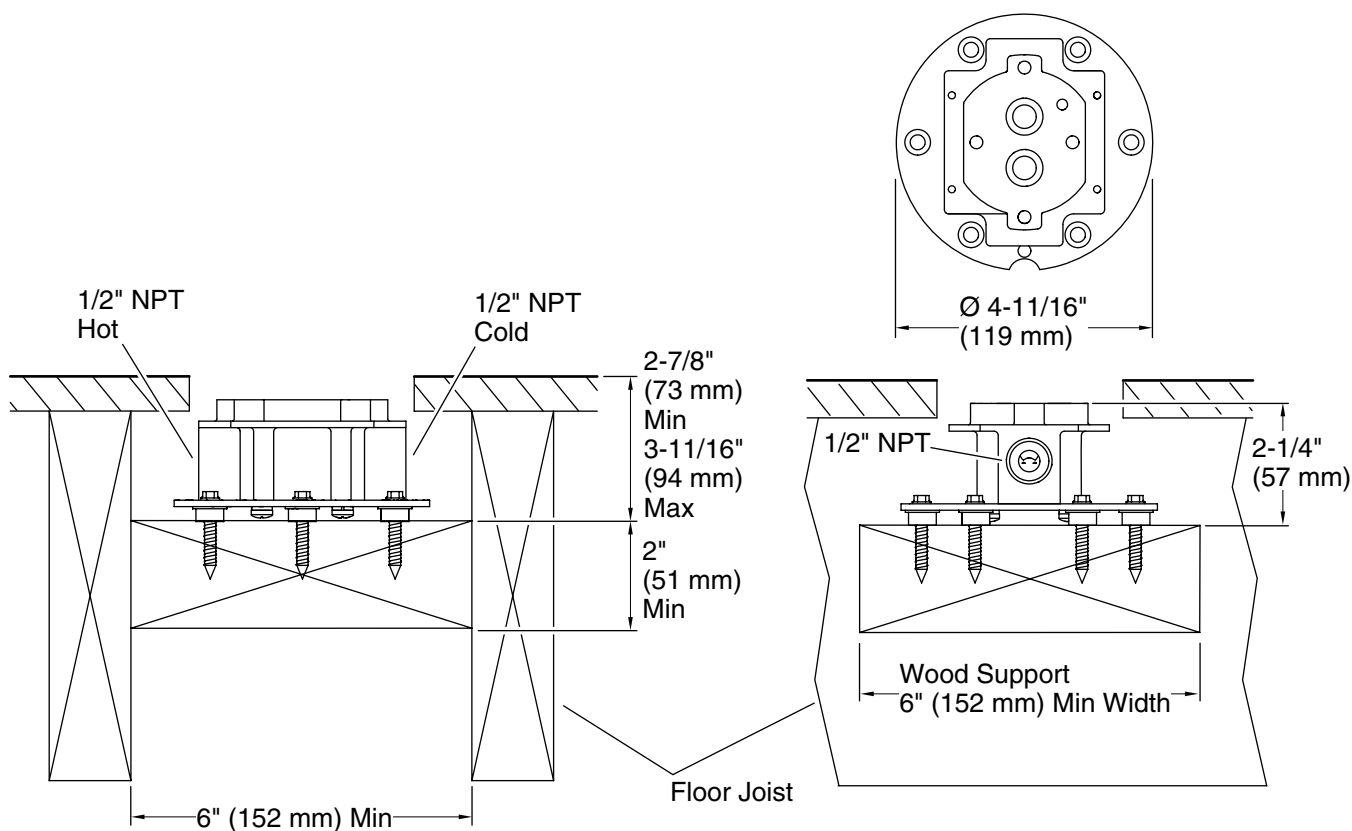
FEATURES

- Includes test cap and mud guard
- For use with Script and Klyne™ floor-mount bath fillers

CODES/STANDARDS APPLICABLE

- Specified model meets or exceeds the following:
- ASME A112.18.1/CSA B125.1

P20512



SPECIFIED MODEL

Model	Description	Finishes
P20512-00	Script Mounting Block	<input type="checkbox"/> NA

We reserve the right to make revisions without notice in the design of products or in packaging unless this right has specifically been waived at the time the order is accepted.