

FEATURES

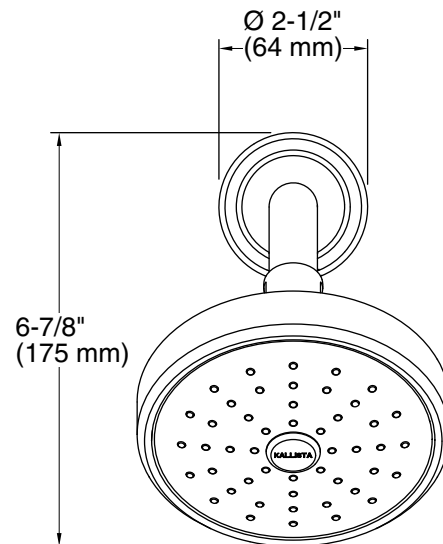
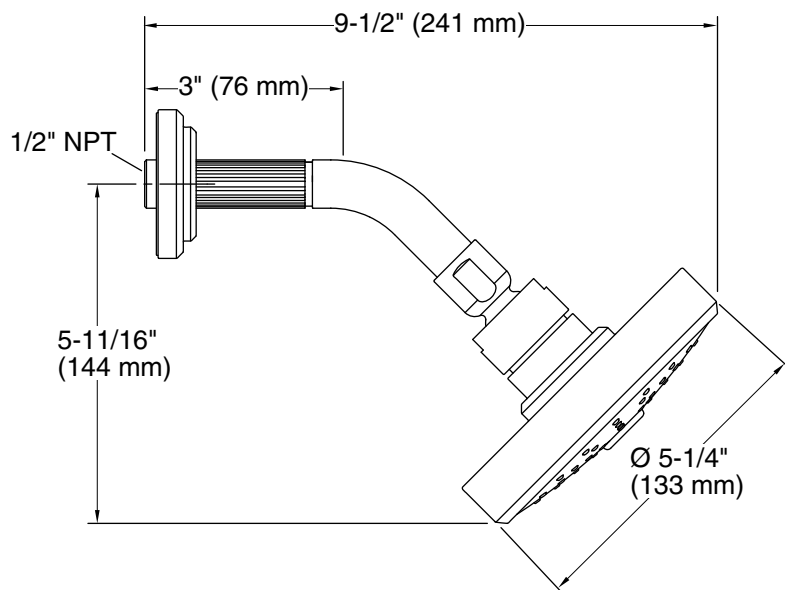
- Solid brass construction for durability and reliability
- Sprayface resists hard water build-up and is easy to clean
- 2 gal/min (7.6 l/min) flow rate
- Air-induction technology
- Complements the Vir Stil collection

CODES/STANDARDS APPLICABLE

Specified model meets or exceeds the following:

- ASME A112.18.1/CSA B125.1
- EPA WaterSense®

P21675



SPECIFIED MODEL			
Model	Description	Finishes	
P21675-00	Vir Stil Showerhead with Air-Induction	<input type="checkbox"/> CP Polished Chrome	<input type="checkbox"/> AD Nickel Silver <input type="checkbox"/> AG Brushed Nickel <input type="checkbox"/> LB Bronze

We reserve the right to make revisions without notice in the design of products or in packaging unless this right has specifically been waived at the time the order is accepted.