

FEATURES

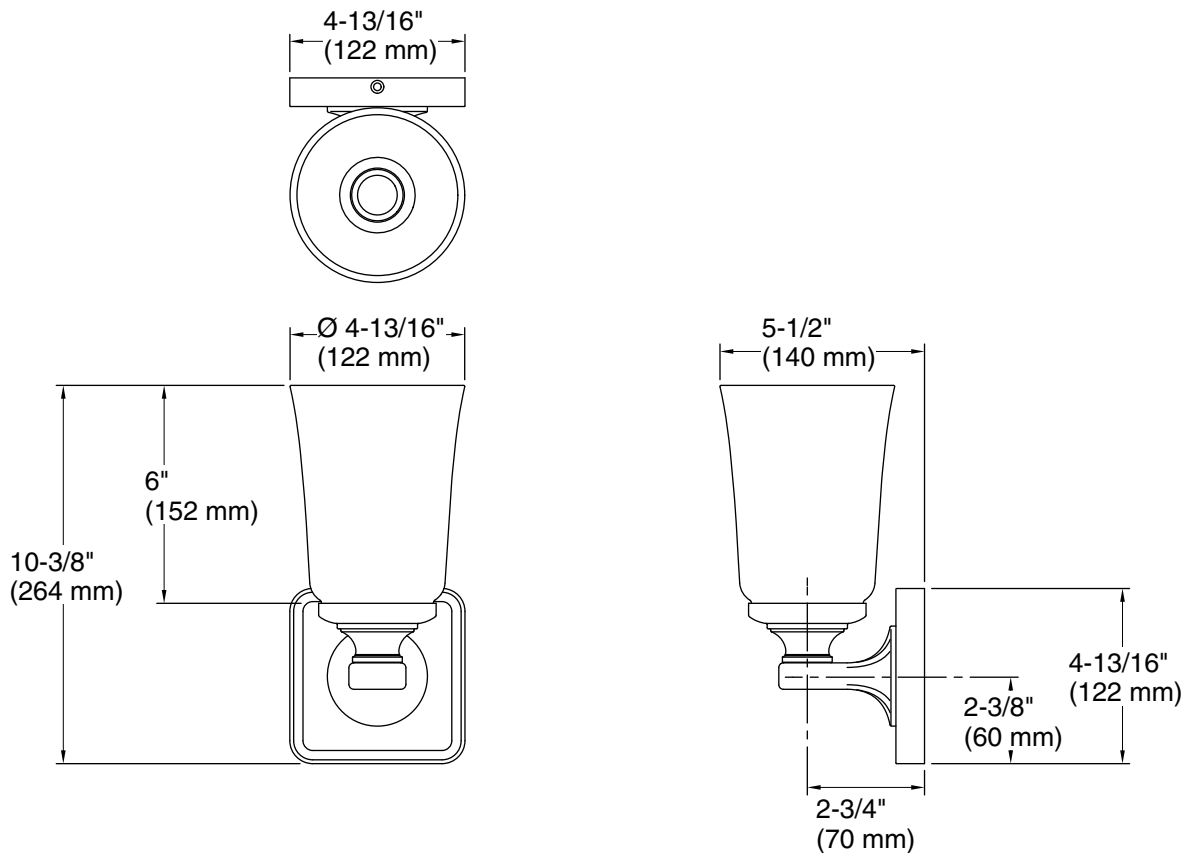
- Solid metal construction for durability and reliability
- Easy installation and bulb maintenance
- Antiqued glass backplate
- Complements Kallista Traditional collections

CODES/STANDARDS APPLICABLE

Specified model meets or exceeds the following:

- ANSI/UL 1598
- CSA-C22.2 No. 250.0

P34025



ELECTRICAL NOTES

Use 4" (102 mm) x 2-1/8" (54 mm) rectangular electrical box for installation.
Recommended Bulb: A19 (60 watt max)

SPECIFIED MODEL		
Model	Description	Finishes
P34025-00	Traditional Sconce	<input type="checkbox"/> CP Polished Chrome <input type="checkbox"/> AD Nickel Silver

We reserve the right to make revisions without notice in the design of products or in packaging unless this right has specifically been waived at the time the order is accepted.