

# KALLISTA® Pure Paletta™ 3-Way Transfer Valve Trim

## FEATURES

- Solid brass construction for durability and reliability
- Allows bather to direct water flow
- Pairs with a 2- or 3-way transfer valve configuration
- Complements the Pure Paletta collection

## CODES/STANDARDS APPLICABLE

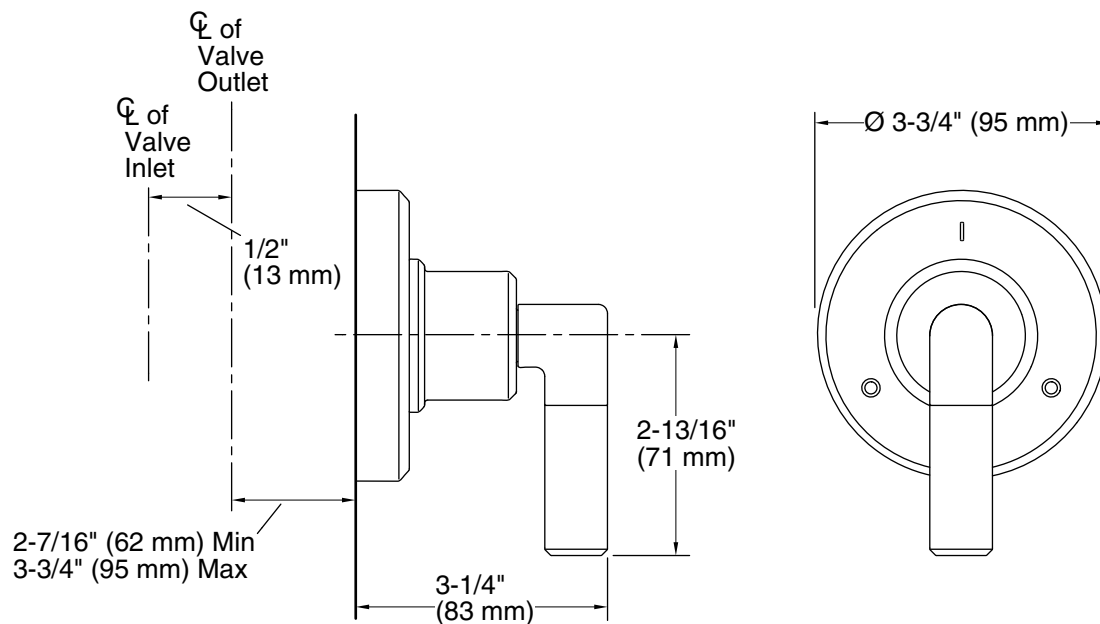
Specified model meets or exceeds the following:

- ASME A112.18.1/CSA B125.1
- ICC/ANSI A117.1
- ADA\*
- OBC\*
- CSA B651\*

P24927



\* Compliant when installed to the specific requirement of this regulation



| SPECIFIED MODEL   |                                                      |                                             |                                                |                                            |
|-------------------|------------------------------------------------------|---------------------------------------------|------------------------------------------------|--------------------------------------------|
| Model             | Description                                          | Finishes                                    |                                                |                                            |
| P24927-LV         | Pure Paletta 3-Way Transfer Valve Trim, Lever Handle | <input type="checkbox"/> CP Polished Chrome | <input type="checkbox"/> AD Nickel Silver      | <input type="checkbox"/> AG Brushed Nickel |
|                   |                                                      | <input type="checkbox"/> BZ Antique Bronze  | <input type="checkbox"/> ULB Unlacquered Brass |                                            |
| Required Rough-in |                                                      |                                             |                                                |                                            |
| P29513-00         | 3-Way Transfer Valve                                 | <input type="checkbox"/> NA                 |                                                |                                            |
| P29514-00         | 3-Way Transfer Valve, Eco                            | <input type="checkbox"/> NA                 |                                                |                                            |

We reserve the right to make revisions without notice in the design of products or in packaging unless this right has specifically been waived at the time the order is accepted.