

KALLISTA[®] Pinna Paletta™ Thermostatic Valve Trim

FEATURES

- Solid brass construction for durability and reliability
- Allows bather to set precise temperature
- Patented K-joint installation ensures consistent trim appearance, regardless of variability in valve rough-in
- Complements the Pinna Paletta collection

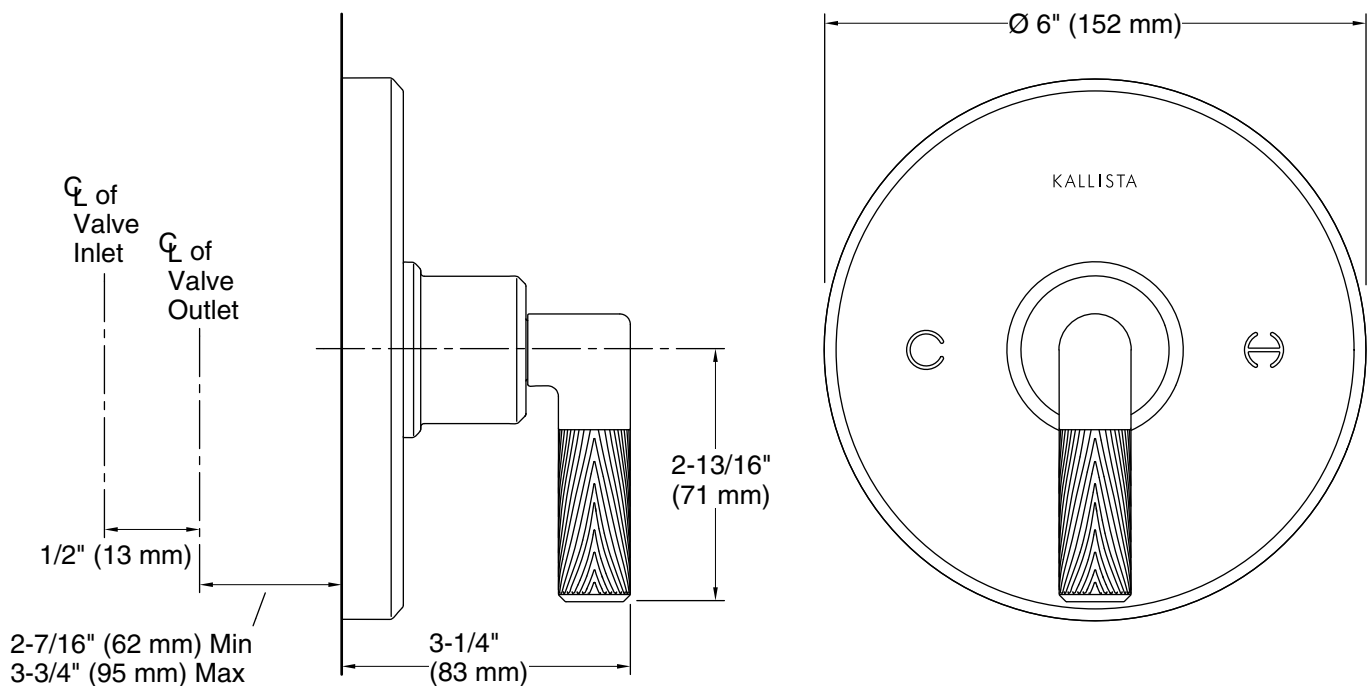
CODES/STANDARDS APPLICABLE

Specified model meets or exceeds the following:

- ASME A112.18.1/CSA B125.1
- ICC/ANSI A117.1
- ADA*
- OBC*
- CSA B651*

* Compliant when installed to the specific requirement of this regulation

P24922



SPECIFIED MODEL		
Model	Description	Finishes
P24922-CPH	Pinna Paletta Thermostatic Valve Trim, w/Polished Chrome Accented Lever Handle	<input type="checkbox"/> CP Polished Chrome
P24922-AD	Pinna Paletta Thermostatic Valve Trim, w/Nickel Silver Accented Lever Handle	<input type="checkbox"/> AD Nickel Silver
P24922-ADW	Pinna Paletta Thermostatic Valve Trim, w/Antique Nickel Silver Accented Lever Handle	<input type="checkbox"/> AD Nickel Silver
P24922-ABW	Pinna Paletta Thermostatic Valve Trim, w/Antique American Bronze Accented Lever Handle	<input type="checkbox"/> BZ Antique Bronze
P24922-ULB	Pinna Paletta Thermostatic Valve Trim, w/Unlacquered Brass Accented Lever Handle	<input type="checkbox"/> ULB Unlacquered Brass
Required Rough-in		
P29511-WS	1/2" Thermostatic Mixing Valve	<input type="checkbox"/> NA
P29512-WS	3/4" Thermostatic Mixing Valve	<input type="checkbox"/> NA

We reserve the right to make revisions without notice in the design of products or in packaging unless this right has specifically been waived at the time the order is accepted.