

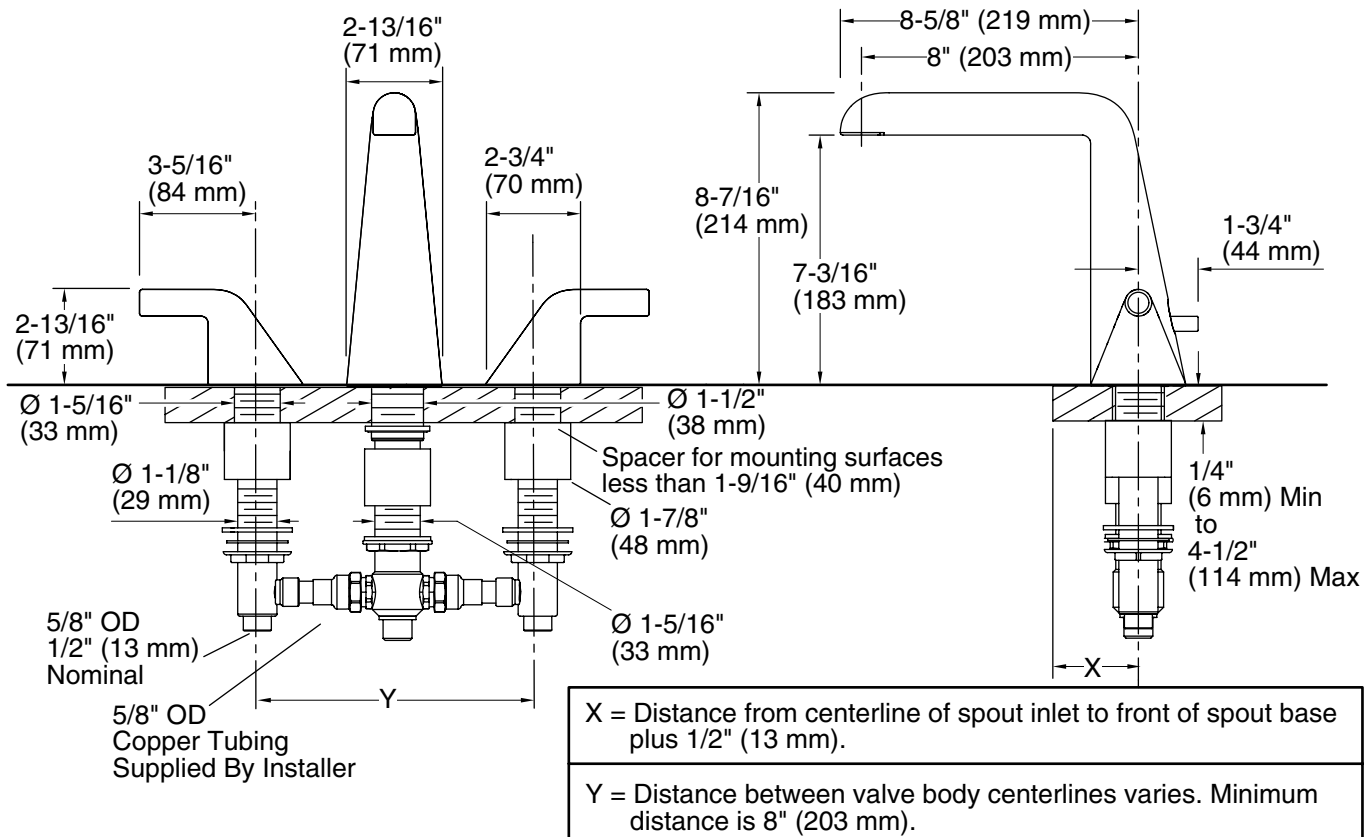
FEATURES

- Solid brass construction for durability and reliability
- Quarter-turn washerless ceramic disc valves
- Complements the Taper collection

CODES/STANDARDS APPLICABLE

- Specified model meets or exceeds the following:
- ASME A112.18.1/CSA B125.1
 - ICC/ANSI A117.1

P24803



SPECIFIED MODEL

Model	Description	Finishes			
P24803-LV	Taper Deck-Mount Bath Set with Diverter	<input type="checkbox"/> CP Polished Chrome	<input type="checkbox"/> AD Nickel Silver	<input type="checkbox"/> AG Brushed Nickel	<input type="checkbox"/> GN Gunmetal
Required Rough-In					
P19304-00	Deck-Mount Bath Valve with Diverter	<input type="checkbox"/> NA			
Required Accessories					
P24843-00	One Wand Dual-Function Handshower	<input type="checkbox"/> CP Polished Chrome	<input type="checkbox"/> AD Nickel Silver	<input type="checkbox"/> AG Brushed Nickel	<input type="checkbox"/> GN Gunmetal
P24854-00	Contemporary Deck-Mount Handshower Trim, Vertical	<input type="checkbox"/> CP Polished Chrome	<input type="checkbox"/> AD Nickel Silver	<input type="checkbox"/> AG Brushed Nickel	<input type="checkbox"/> GN Gunmetal

We reserve the right to make revisions without notice in the design of products or in packaging unless this right has specifically been waived at the time the order is accepted.