

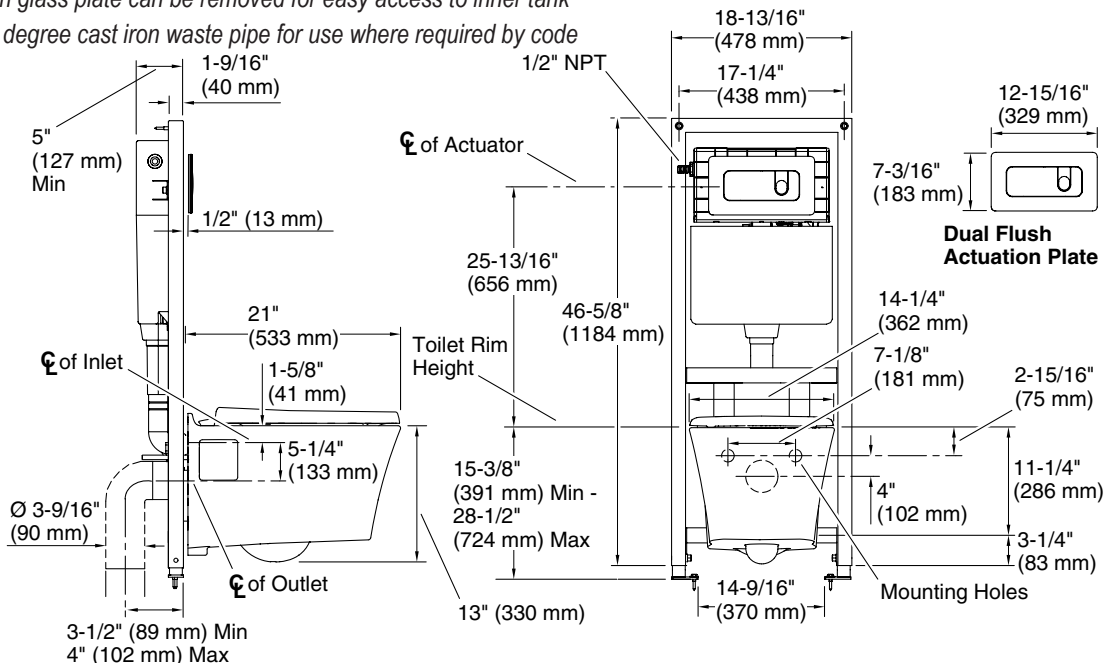
FEATURES

- One-piece, wall-mount toilet
- Compact elongated bowl offers comfort while occupying the same space as a round-front bowl
- Skirted bowl allows for easy cleaning and eliminates potential debris build-up
- Adjustable durable steel frame carrier allows bowl to be positioned 15-3/8" (391 mm) to 28-1/2" (724 mm) from floor
- Dual-flush actuator offers a choice of 1.0 gpf (3.8 lpf) or 1.6 gpf (6.1 lpf)
- Actuator with glass plate can be removed for easy access to inner tank
- Optional 90 degree cast iron waste pipe for use where required by code

CODES/STANDARDS APPLICABLE

- ASME A112.19.2/CSA B45.1
- ASME A112.19.14
- EPA WaterSense®
- ASME A112.6.2

P70361, P70362,
P70364,
Combination P70360



PRODUCT INFORMATION	
Water per flush	1.6 gpf (6.1 L) or 1.0 gpf (3.8 L)
Passageway	3" (76 mm)
Water area	4-1/2" (114 mm) x 5-1/2" (140 mm)
Seat post hole centers	5-1/2" (140 mm)

INSTALLATION NOTES	
Install this product according to the installation guide.	
Installation requires 2x6 framing.	
The recommended install height from the finished floor to the toilet rim is 16-1/8" (410 mm).	
In-wall tank and carrier system install in wall opening 5-1/2" (140 mm) x 19" (483 mm) x 50" (1270 mm) minimum.	
Refer to manufacturer and local codes for flush valve requirements.	

SPECIFIED MODEL		
Model	Description	Finishes
P70360-00	Pléo Wall-Mount Combo, Bowl and Carrier System	<input type="checkbox"/> 0 Stucco White
P70361-00	Pléo Wall-Mount Bowl	<input type="checkbox"/> 0 Stucco White
P70362-00	In-Wall Tank and Carrier System	<input type="checkbox"/> NA
Required Accessory		
P70364-00	Dual-Flush Wall-Mount Toilet Actuator	<input type="checkbox"/> CP Polished Chrome <input type="checkbox"/> AD Nickel Silver <input type="checkbox"/> AG Brushed Nickel <input type="checkbox"/> LB Bronze <input type="checkbox"/> GN Gunmetal <input type="checkbox"/> W7 Black Nickel
Recommended Accessory		
P70363-00	Modern Toilet Seat with Slow-Close, Quick Hinge Release	<input type="checkbox"/> 0 Stucco White <input type="checkbox"/> 96 Linen
Optional Accessory		
1222845	Cast Iron Waste Pipe Elbow, 90 Degree	<input type="checkbox"/> NA

We reserve the right to make revisions without notice in the design of products or in packaging unless this right has specifically been waived at the time the order is accepted.