

FEATURES

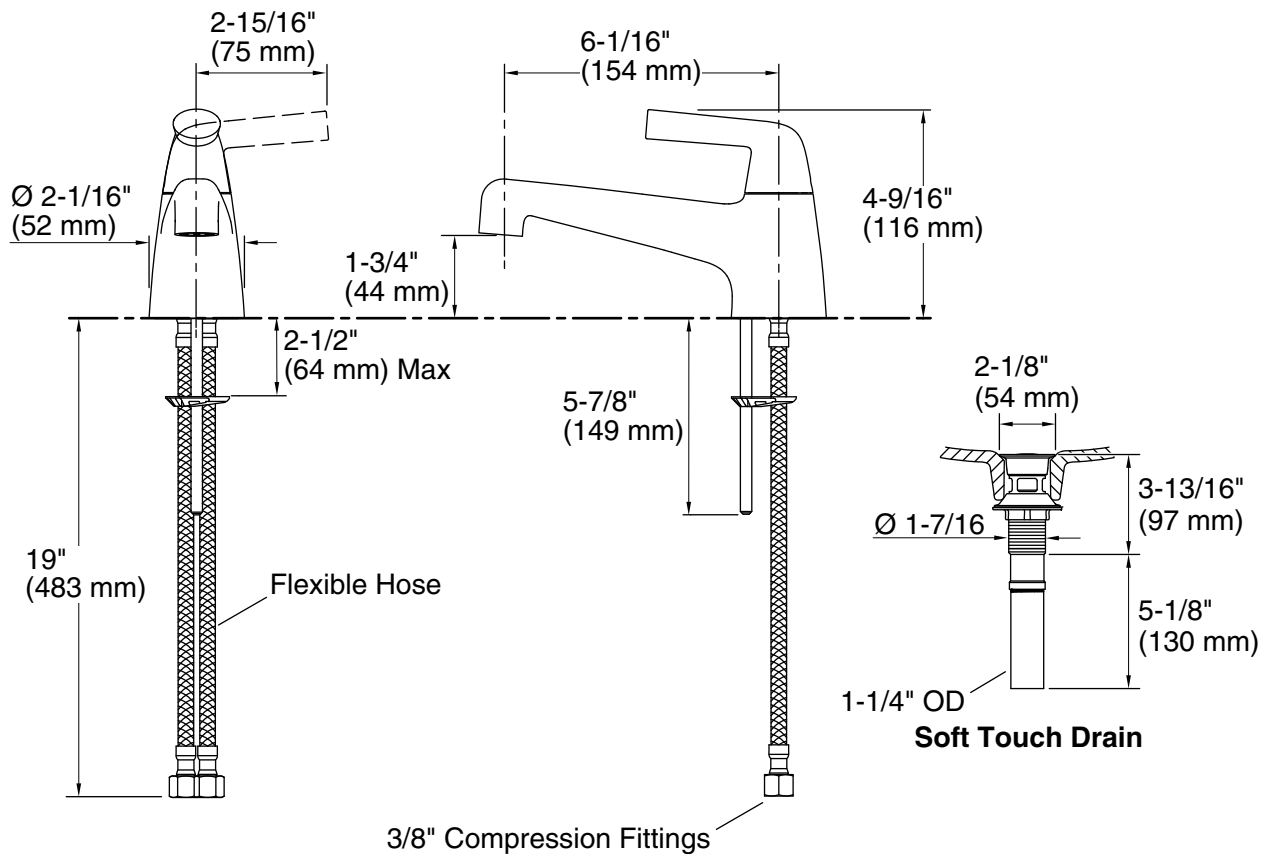
- Solid brass construction for durability and reliability
- 1.2 gal/min (4.5 l/min) maximum flow rate
- Single-hole mounting
- Includes Soft Touch drain
- Fluid, curved design
- Unique 90° counter-clockwise opening mixing valve
- Meets CalGreen requirements for bathroom sink faucets
- Complements the Counterpoint collection

CODES/STANDARDS APPLICABLE

Specified model meets or exceeds the following:

- ADA
- ASME A112.18.1/CSA B125.1
- ICC/ANSI A117.1
- EPA WaterSense®

P23201



INSTALLATION NOTES		
All dimensions are nominal.		
	Hole Size	Deck Thickness (Max)
Faucet	1-1/8" (28 mm)	2-1/2" (64 mm)

SPECIFIED MODEL				
Model	Description	Finishes		
P23201-00	Counterpoint Single Control Lavatory Faucet	<input type="checkbox"/> CP Polished Chrome	<input type="checkbox"/> AD Nickel Silver	<input type="checkbox"/> AG Brushed Nickel
P23201-SL	Counterpoint Single Control Lavatory Faucet, Marble Handle	<input type="checkbox"/> CP Polished Chrome	<input type="checkbox"/> AD Nickel Silver	<input type="checkbox"/> AG Brushed Nickel
Optional Accessories				
1069078	90° Clockwise Mixing Valve	<input type="checkbox"/> N/A		

We reserve the right to make revisions without notice in the design of products or in packaging unless this right has specifically been waived at the time the order is accepted.