

# KALLISTA<sup>®</sup> Counterpoint<sup>™</sup> Rock Crystal Wall Sconce

## FEATURES

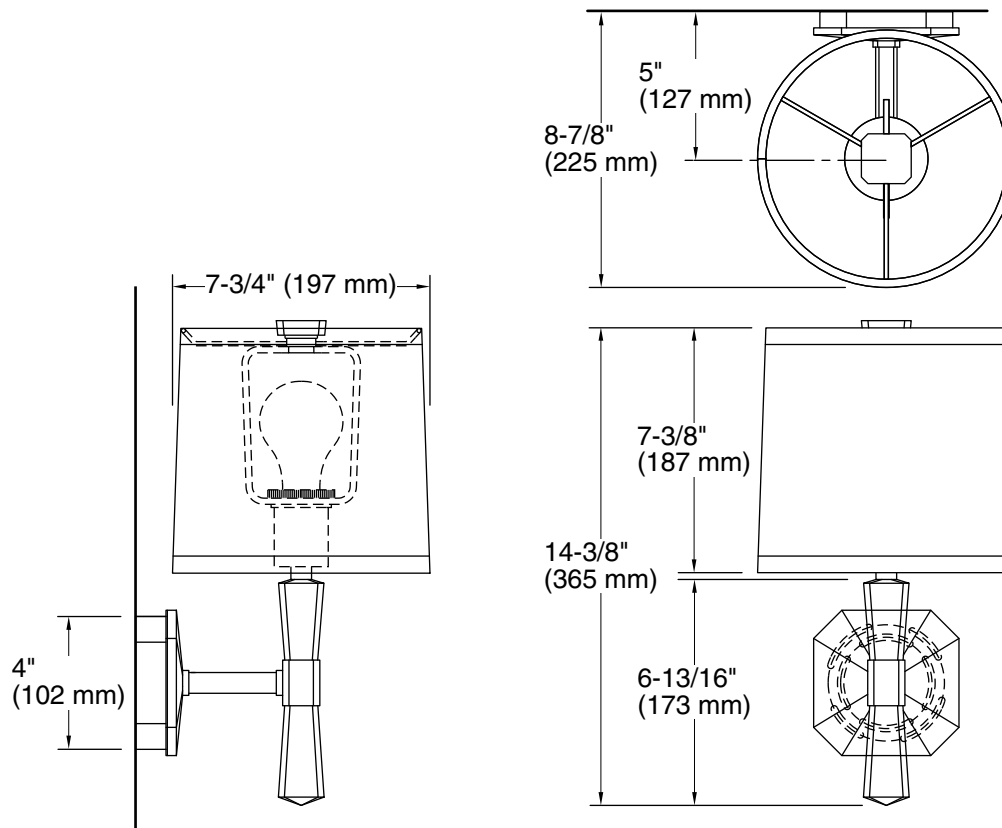
- Rock Crystal detailed back plate refracts light brilliantly
- Solid brass standoff bracket
- Requires a 60-watt standard incandescent bulb
- Complements the Counterpoint collection

## CODES/STANDARDS APPLICABLE

Specified model meets or exceeds the following:

- ANSI/UL 1598
- CSA C22.2 No.250.0

## P33221



## SPECIFIED MODEL

Model	Description	Finishes		
P33221-00	Counterpoint Rock Crystal Wall Sconce, Crema Shade	<input type="checkbox"/> CP Polished Chrome	<input type="checkbox"/> AD Nickel Silver	<input type="checkbox"/> AG Brushed Nickel
P33221-DWT	Counterpoint Rock Crystal Wall Sconce, Dove White Shade	<input type="checkbox"/> CP Polished Chrome	<input type="checkbox"/> AD Nickel Silver	<input type="checkbox"/> AG Brushed Nickel

We reserve the right to make revisions without notice in the design of products or in packaging unless this right has specifically been waived at the time the order is accepted.