

KALLISTA®

Kallista Flip Drain Assembly

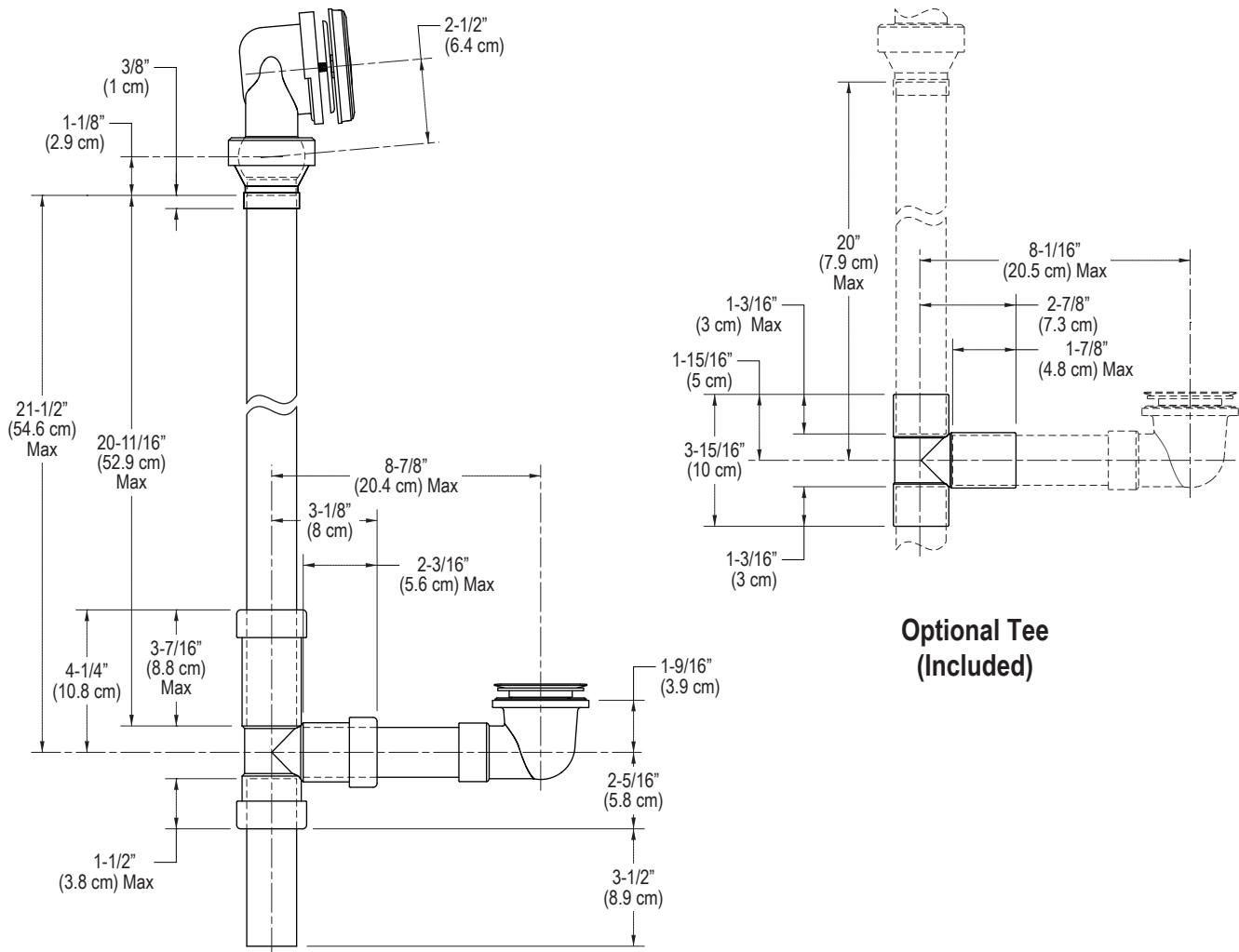
FEATURES

- For Use with the P50045 and P50049 Perfect Bath or Airbath
- Solid Brass Drain Tubes/Assembly
- Allows Multiple Installation Methods (Through the Floor, Along the Floor, Compression Joint, Solder Joint)
- Both the Compression Fit Tee Fitting and the Solder Joint Tee Fitting are Included in the Box

CODES/STANDARDS APPLICABLE

- Specified model meets or exceeds the following:
- IAPMO/cUPC

P21583



**Optional Tee
(Included)**

SPECIFIED MODEL						
Model	Description	Finishes				
P21583-00	Kallista Flip Drain Assembly	<input type="checkbox"/> NA				
Recommended Accessories						
P21584-00	Kallista Traditional Trim Kit for Flip Drain	<input type="checkbox"/> CP Polished Chrome	<input type="checkbox"/> AD Nickel Silver	<input type="checkbox"/> AG Brushed Nickel	<input type="checkbox"/> BZ Antique Bronze	
P21585-00	Kallista Modern Trim Kit for Flip Drain	<input type="checkbox"/> CP Polished Chrome	<input type="checkbox"/> AD Nickel Silver	<input type="checkbox"/> AG Brushed Nickel	<input type="checkbox"/> GN Gunmetal	<input type="checkbox"/> LB Bronze

We reserve the right to make revisions without notice in the design of products or in packaging unless this right has specifically been waived at the time the order is accepted.