

KALLISTA®

Vir Stil® Single Control Lavatory Faucet

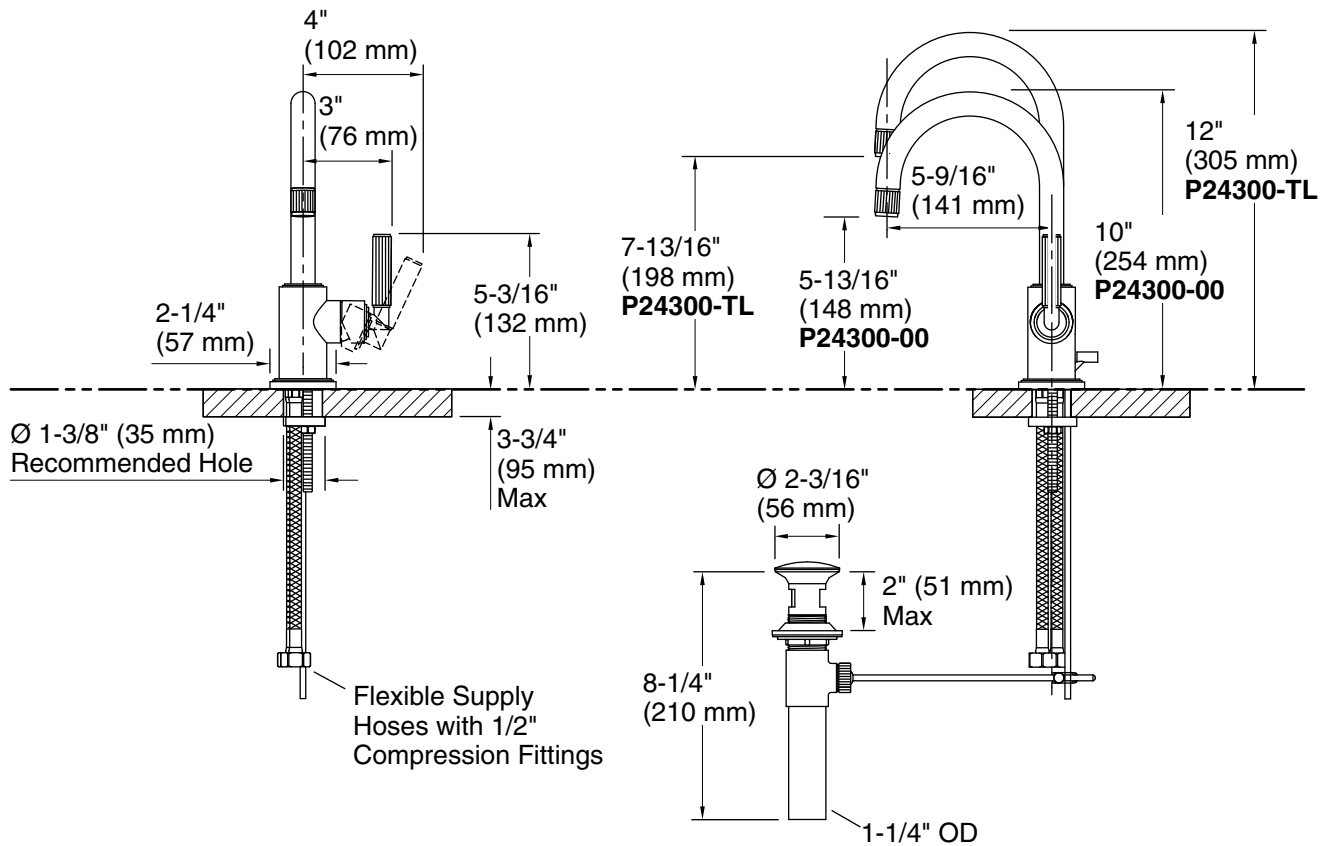
FEATURES

- Solid brass construction for durability and reliability
- Lever for pop-up drain
- Single-control for easy operation
- 1.2 gal/min (4.5 l/min) maximum flow rate.
- Meets CalGreen requirements for bathroom sink faucets.
- Complements the Vir Stil collection

CODES/STANDARDS APPLICABLE

- Specified model meets or exceeds the following:
- ASME A112.18.1/CSA B125.1
 - ADA
 - EPA WaterSense®
 - Energy Policy Act of 1992
 - ICC/ANSI A117.1
 - NSF 61
 - All applicable US Federal and State material regulations

P24300



SPECIFIED MODEL

| Model | Description | Finishes | | | |
|-----------|---|---|---|--|------------------------------------|
| P24300-00 | Vir Stil Single Control Lavatory Faucet | <input type="checkbox"/> CP Polished Chrome | <input type="checkbox"/> AD Nickel Silver | <input type="checkbox"/> AG Brushed Nickel | <input type="checkbox"/> LB Bronze |
| P24300-TL | Vir Stil Single Control Vessel Faucet | <input type="checkbox"/> CP Polished Chrome | <input type="checkbox"/> AD Nickel Silver | <input type="checkbox"/> AG Brushed Nickel | <input type="checkbox"/> LB Bronze |

We reserve the right to make revisions without notice in the design of products or in packaging unless this right has specifically been waived at the time the order is accepted.