

# KALLISTA®

## Original For Her Undercounter Basin

### FEATURES

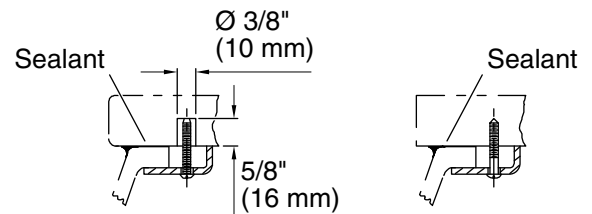
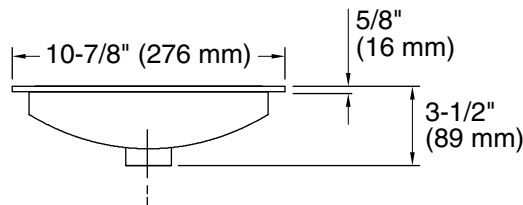
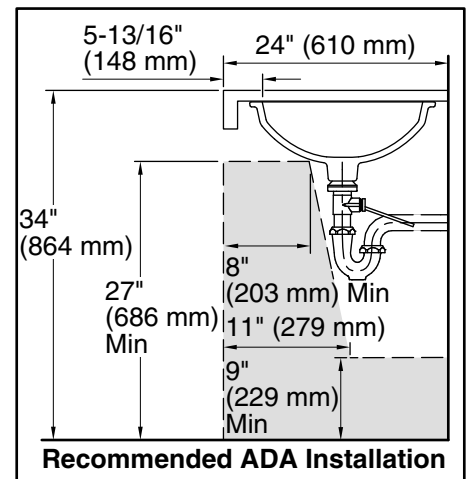
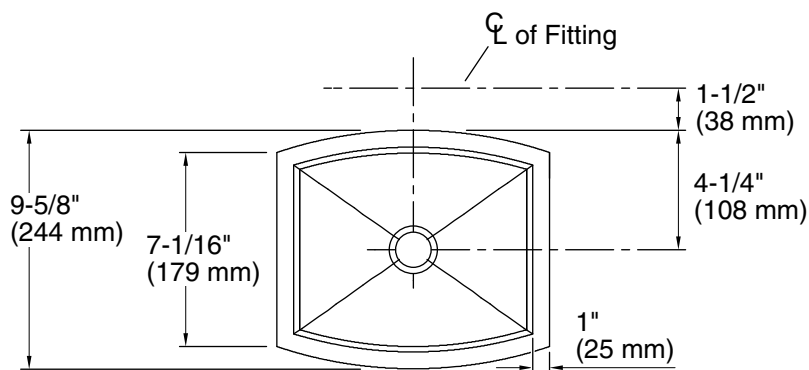
- Vitreous china for a remarkably clean, sanitary product that maintains its polished shine
- Undercounter mounting
- Includes mounting hardware
- Available without overflow only
- Complements the Original collection

### CODES/STANDARDS APPLICABLE

- Specified model meets or exceeds the following:
- ASME A112.19.2/CSA B45.1
  - ADA
  - ICC/ANSIA117.1

P72026

ADA



**Marble Installation**

**Wood Installation**

PRODUCT INFORMATION		
Fixture*:	Basin Area	Water Depth
Lavatory	9" (229 mm) x 7-3/4" (197 mm)	2-3/8" (60 mm)
Outlet	Ø 1-1/2" (38 mm)	
*Approximate Measurements For Comparison Only		
Included Components:		
Basin Clamp Assembly		
Cutout Template		87028-7

INSTALLATION NOTES
All dimensions are nominal.
Will comply with ADA when installed per section 606 Lavatories and Sinks of the 2010 ADA Standards for Accessible Design.
Supplied basin clamp assemblies require 1" (25 mm) minimum countertop thickness. Installer must supply anchors for thinner countertops.

SPECIFIED MODEL			
Model	Description	Finishes	
P72026-00	Original For Her Undercounter Basin	<input type="checkbox"/> 0 Stucco White	<input type="checkbox"/> 96 Linen

We reserve the right to make revisions without notice in the design of products or in packaging unless this right has specifically been waived at the time the order is accepted.