

### INSTALLATION INSTRUCTIONS

#### THANK YOU FOR CHOOSING KALLISTA

We appreciate your commitment to KALLISTA quality products. Please take a moment to review this manual before you install your KALLISTA product. If you encounter any installation or performance problems, please do not hesitate to contact us at the phone number listed at the bottom of the page.

#### IMPORTANT INFORMATION

- Observe all local plumbing and building codes.
- For ease of installation, install the trip lever before installing the toilet or tank.
- The trip lever shown in this guide may differ from your actual product. The installation steps still apply.
- The trip lever must be in the vertical position when not in use.
- KALLISTA reserves the right to make revisions in the design of products without notice, as specified in the Price Book.

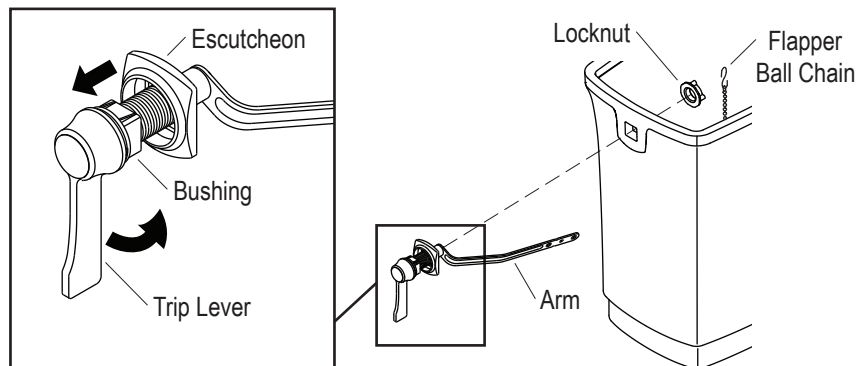
#### TOOLS AND MATERIALS



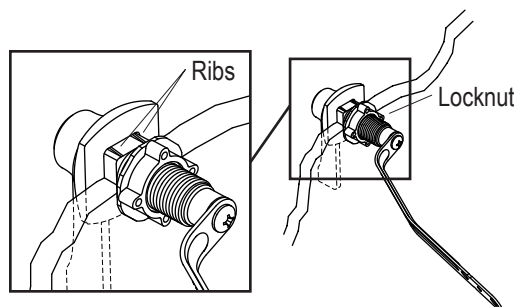
Adjustable  
Wrench

#### INSTALLATION

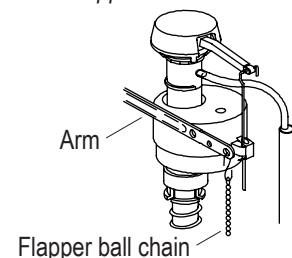
- 1a** Remove flapper ball chain from existing arm.
- b** Remove existing trip lever and locknut.
- c** Slide the escutcheon up the new trip lever arm and onto the bushing, as shown. Insert trip lever arm through hole in tank, making sure that the flats on the escutcheon are positioned vertically and the trip lever is vertical and swings counter-clockwise.



- 2a** Ensure that the ribs are positioned as shown.
- b** Secure trip lever with locknut.  
**DO NOT OVERTIGHTEN.**
- NOTE:** Turn locknut **counter-clockwise** to tighten.



- 3a** Hook flapper ball chain to arm.



- b** Check for smooth operation.