

Installation and Care Guide

Recessed Thermostatic Valve and Trim

KALLISTA.

1280722-2-B

IMPORTANT INSTRUCTIONS

READ AND SAVE FOR THE CONSUMER



WARNING: Risk of scalding or other severe injury.



CAUTION: Risk of scalding hazard. This device has been calibrated at the factory to ensure a safe maximum water temperature. Any variance in settings or water inlet conditions from those used during factory calibration may raise the discharge temperature above the safe limit, and may present a scalding hazard.

- Before completing installation, the installer must set the maximum water temperature setting of this valve to minimize the risks associated with scalding hazards according to ASTM F 444.

The installer is responsible for adjusting the maximum water temperature of this valve according to instructions.

IMPORTANT NOTICE: Please fill in the blanks on the valve label. Retain this guide for future reference.

- The valve is calibrated to 100°F (38°C) at the first stop position.
- If inlet conditions differ from those used during factory calibration, it may be necessary to recalibrate the valve after installation. **The installer must check the mixed flow temperature after installation, and adjust the valve as needed according to the instructions.**

Specifications

Pressures

Minimum Supply Pressure	7.3 psi, 50 kPa, 0.5 bar
Recommended Supply Pressure	43.5 psi, 300 kPa, 3 bar
Maximum Supply Pressure*	72.5 psi, 500 kPa, 5 bar
Supply Pressure Differential*	Max 29 psi, 200 kPa, 2 bar

Temperatures

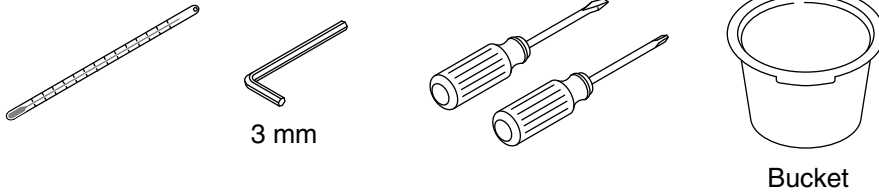
Hot Supply Water Temperature	Min 122°F (50°C), Max 158°F (70°C)
Recommended Hot Supply Temperature	140°F (60°C) <i>Energy-saving</i>

Specifications (cont.)

Temperature Setting Range	68°F (20°C) to 122°F (50°C)
Safety Stop Calibration	100°F (38°C)

*In applications where the supply pressure is high, or there is a large difference in the hot and cold supply pressures, or frequent fluctuation in either supply line is anticipated, it is strongly recommended that pressure regulators be installed.

Tools



Before You Begin



CAUTION: Risk of personal injury. If the water temperature is set too high, scalding will occur. The water temperature should never be set above 120°F (49°C).



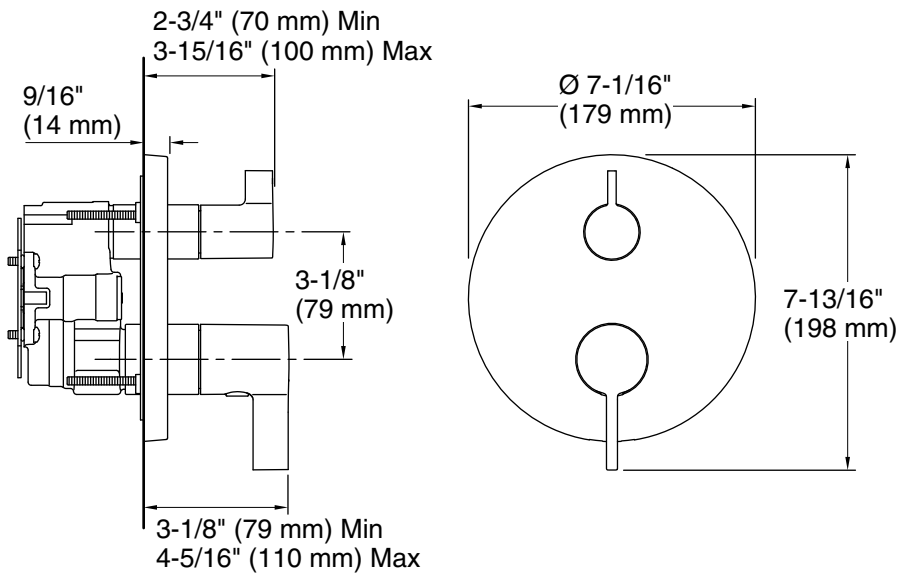
CAUTION: Risk of scalding. This device has been calibrated at the factory to ensure a safe maximum water temperature. Any variance in settings or water inlet conditions from those used during factory calibration may raise the discharge temperature above the safe limit, and may present a scalding hazard. Responsibility for installation and adjustment of this device in accordance with these instructions lies with the installer.

NOTICE: Do not force the handle in any direction. Forcing the handle will damage the valve.

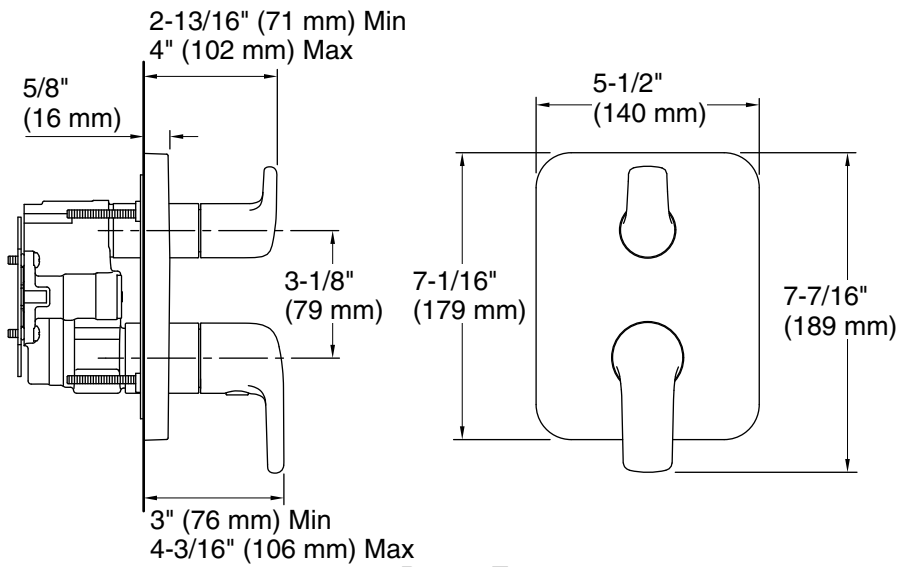
- Observe all local plumbing and building codes.
- Flush the supply pipes thoroughly to remove any debris.

Before You Begin (cont.)

- Turn off the water supplies.
- Inspect the supply piping for damage. Replace as necessary.

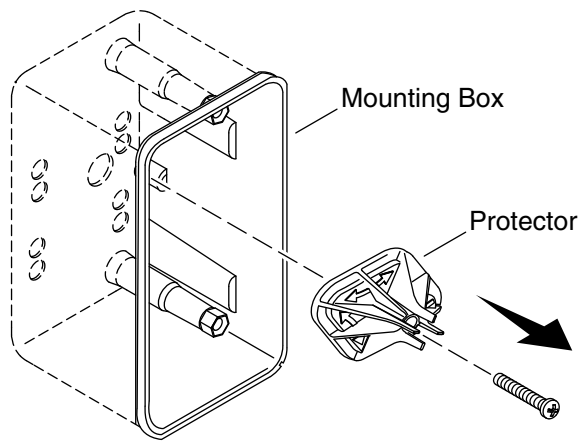


P24432T



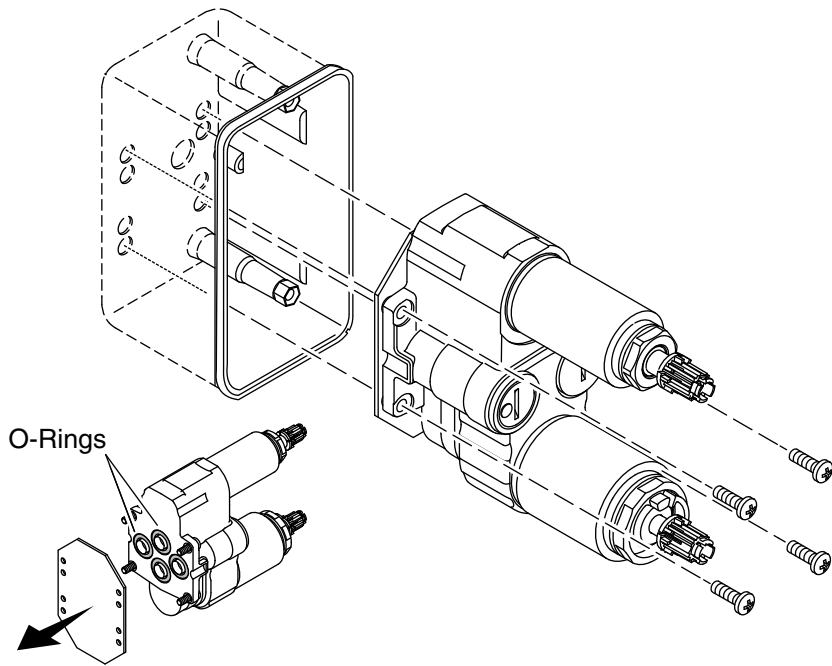
P24732T

Roughing-In



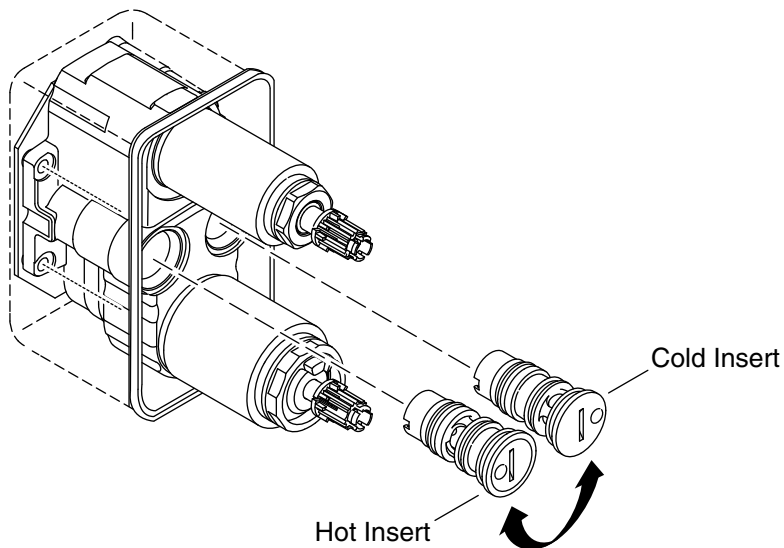
1. Prepare the Site

- If not already installed, install mounting box kit 98699T into the wall according to the instructions packed with the kit.
- Trim the mounting box flush with the finished wall.
- Unthread the screw to remove the protector from the mounting box.
- Discard the protector.



2. Install the Valve

- Remove the protective cover from the back of the valve. Use care not to drop the O-rings.
- Align the holes on the valve with the holes in the mounting box.
- Secure the valve to the box with the four screws.

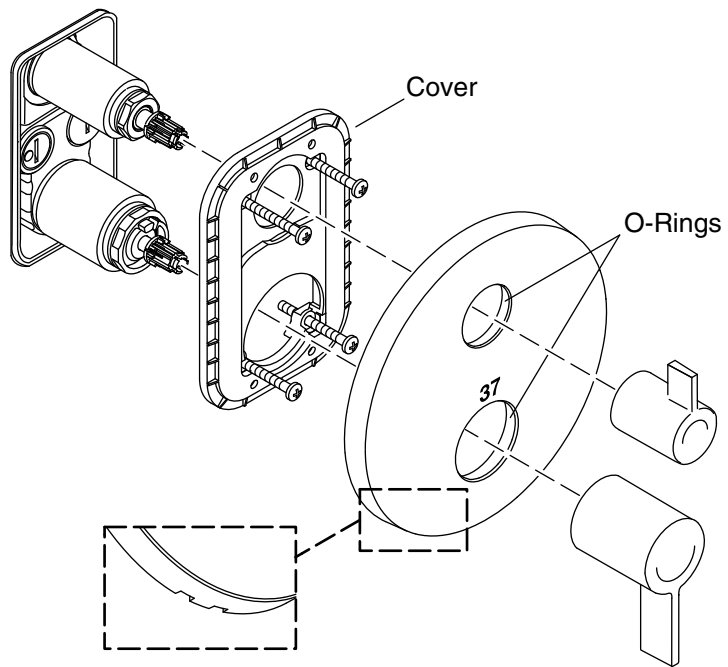


3. Reverse the Inlet Supplies (If Needed)

The inlet connections are marked on the inlet ports of the valve assembly. Left is HOT and right is COLD. If this configuration is not suitable for your installation, the hot and cold inserts can be switched to reverse the inlet ports.

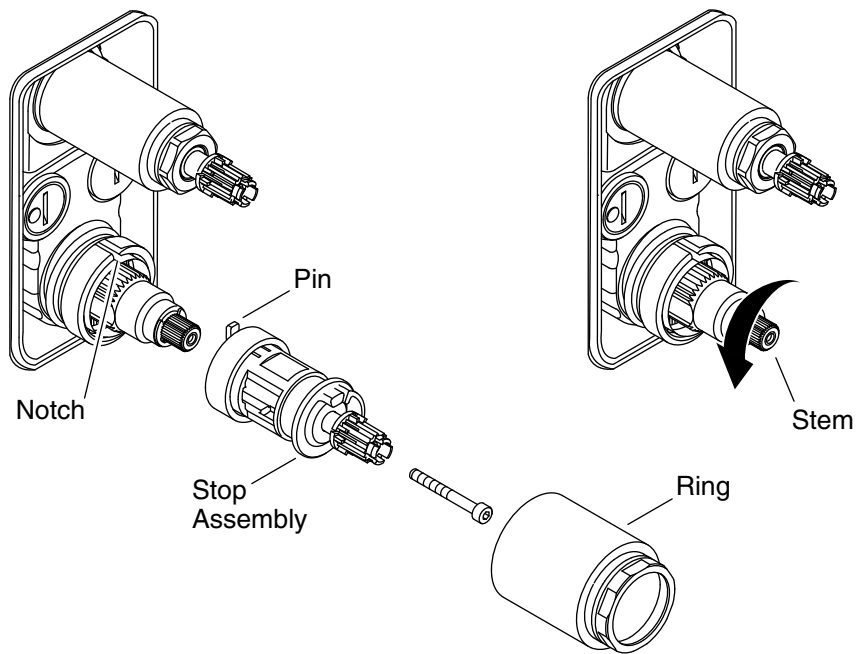
NOTE: Some water may be released. Use a bucket and towels to contain the water.

- Using a flat-blade screwdriver, slowly loosen the inserts by turning them counterclockwise.
- Pull the inserts from the valve body.
- Position the cold insert on the left and the hot insert on the right.
- Carefully push the inserts back into the valve body.
- Handtighten the inserts. **Do not overtighten.**
- Make note of the reversed inlet supplies on valve for future servicing.



4. Install the Trim

- Slide the cover onto the valve until flush with the finished wall.
- Secure the cover with the four screws.
- Make sure that the O-rings are seated in the faceplate holes.
- With the slots facing down, slide the faceplate onto the valve.
- With the lever pointing up, press the small handle onto the top stem.
- With the lever pointing down, press the large handle onto the bottom stem.
- Turn on the water supplies.
- Check for leaks. Make adjustments as needed.



5. Check the Temperature Setting

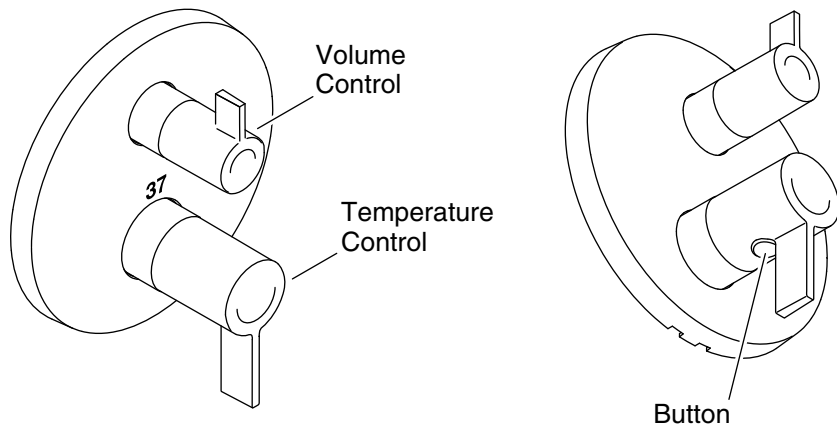
NOTE: The thermostatic valve cartridge is calibrated at the factory for a shower temperature of approximately 104°F (40°C) to 105°F (41°C) and a maximum hot temperature of 120°F (49°C).

- Turn on the water supplies.
- Turn the handle counterclockwise until it stops.
- Allow the water to run for several minutes.
- Hold a thermometer in the water stream.
- If the temperature is not between (96.8°F) 36°C and (100°F) 38°C, turn the handle clockwise to the "cold" position.
- Remove the handle trim (not shown) and ring.
- Using a 3 mm hex wrench, remove the screw and stop assembly.
- Slowly turn the stem counterclockwise, continually checking the temperature until (98.6°F) 37°C is achieved.
- If the temperature exceeds (100°F) 38°C, return to the "cold" setting and set again.

Check the Temperature Setting (cont.)

IMPORTANT! Once the temperature is properly set, do not turn the stem when reinstalling the stop assembly.

- Without turning the stem, align the pin with the notch and position the stop assembly onto the stem.
- Reinstall the ring and screw.
- Reinstall the handle trim.



Operation

Volume Control

- The smaller top handle controls the volume of water flowing from the faucet.
- Turn the handle clockwise to decrease water volume and counterclockwise to increase water volume.

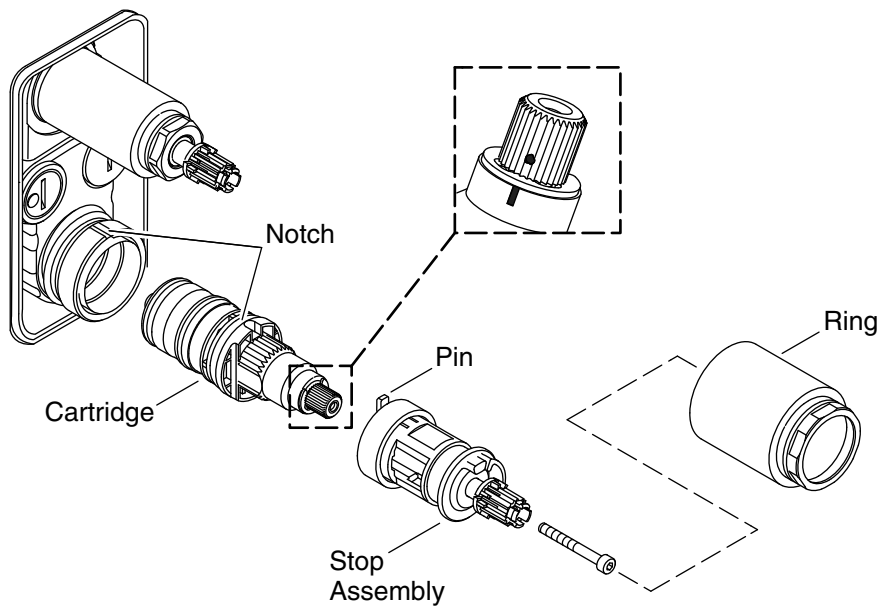
Temperature Control

- The larger bottom handle controls the water temperature.

NOTE: When the selector is positioned at "37" on the faceplate, the water temperature flowing from the faucet must be between (96.8°F) 36°C and (100°F) 38°C. If the temperature is out of the range, refer to the "Check the Temperature Setting" section to adjust the setting.

NOTE: For safety reasons, the temperature limit stop is calibrated to (100°F) 38°C.

- To rotate the handle beyond the high temperature limit stop, press the button underneath the handle.



Clean the Cartridge

NOTE: Hard water can obstruct the filter on the thermostatic valve cartridge and reduce the flow of water. Periodic cartridge cleaning will help maintain proper flow.

- Turn off the water supplies to the faucet.
- Turn the handle to the ON position to relieve pressure.
- Remove the handle trim.
- Remove the ring.
- Using a 10 mm hex wrench, remove the screw and stop assembly.
- Carefully pull the cartridge from the valve body.
- Clean the cartridge by soaking it in warm vinegar.
- After cleaning, align the line with the dot on the valve stem.
- Position the stop assembly onto the cartridge, aligning the pin with the notch.
- Install the cartridge and stop assembly into the valve body, aligning the pin with the notch.
- Reinstall the ring and screw.

Clean the Cartridge (cont.)

- Reinstall the handle trim.
- Turn on the water supplies and check for leaks.
- Reinstall the handle trim.

Warranty

FIVE-YEAR LIMITED WARRANTY

All Kallista products carry Kallista's five-year limited warranty unless otherwise noted.*

Kallista products are warranted to be free of defects in material and workmanship for five years from the date of installation.

Kallista will, at its election, repair, replace or make appropriate adjustment where Kallista inspection discloses any such defects occurring in normal usage within five (5) years after installation. Kallista is not responsible for removal or installation costs. Damages due to improper handling, installation or maintenance are not considered manufacturing defects and are not covered by this warranty. This warranty is valid for the original consumer purchaser only.

To obtain warranty service, contact your Kallista Authorized Showroom.

Products must be maintained and cleaned in accordance with the care and cleaning instructions provided by Kallista. Improper care or cleaning, including damage from the use of abrasive chemicals, will void this warranty. Gloss reduction, scratching, staining and alkaline etching of finishes over time due to use, cleaning practices or water or atmospheric conditions, are not manufacturing defects but are indicative of normal wear and tear. Use of in-tank toilet cleaners will void the warranty.

Implied warranties including that of merchantability and fitness for a particular purpose are expressly limited in duration to the duration of this warranty. Kallista and/or seller disclaims any liability for special, incidental, or consequential damages.

Some states/provinces do not allow limitations on how long an implied warranty lasts, or the exclusion or limitation of special, incidental or consequential damages, so these limitations and exclusions may not apply to you. This warranty gives you specific legal rights. You may also have other rights which vary from state/province to state/province.

This is Kallista's exclusive written warranty.

Warranty (cont.)

* Kallista's Hampstead and Stafford vitreous products, stainless steel accessories, and wooden accessories carry a one-year Limited Warranty.

USA/Canada: 1-888-4-KALLISTA

Fax: 1-888-272-3094

kallista.com

KALLISTA

©2017 KALLISTA

1280722-2-B