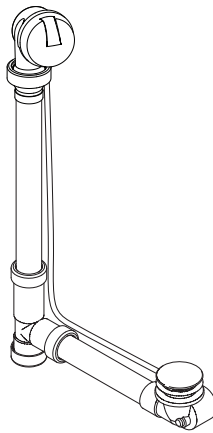


### INSTALLATION INSTRUCTIONS



**P21581 &  
P21582**

## INSTALLATION INSTRUCTIONS

### THANK YOU FOR CHOOSING KALLISTA

We appreciate your commitment to Kallista quality products. Please take a moment to review this manual before you install your Kallista product. If you encounter any installation or performance problems, please do not hesitate to contact us at the phone number listed at the bottom of the page.

### TOOLS



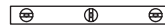
Plumbers Putty



Adjustable Wrench



Hex Wrench (supplied)



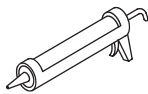
Level



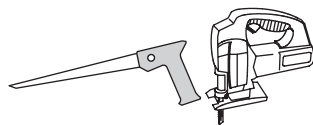
P-Trap



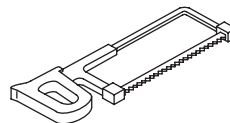
Spanner (supplied)



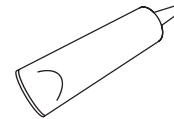
Caulk Gun



Keyhole or Saber Saw



Hacksaw



Silicone Sealant



Tape Measure

### BEFORE YOU BEGIN

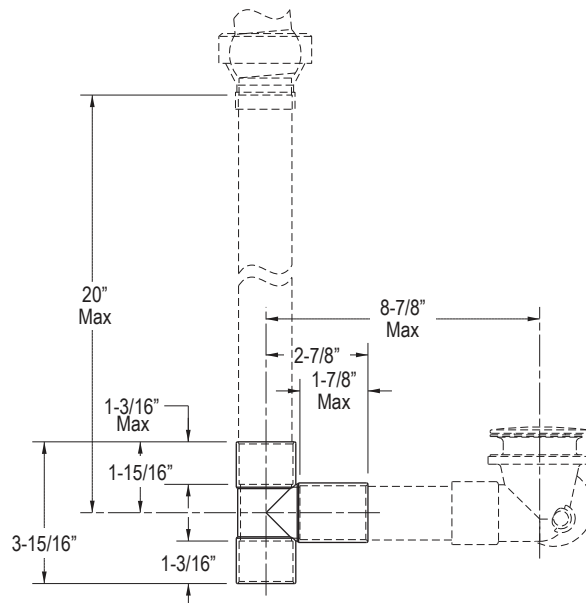
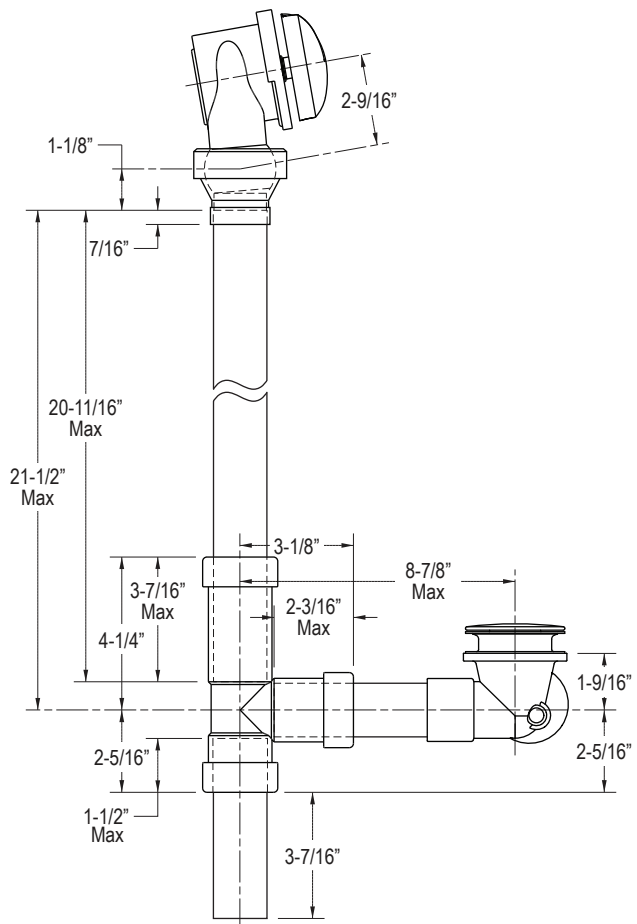


**CAUTION: Risk of product damage.** Do not kink or cause damage to the cable during installation.

- Observe all local plumbing and building codes.
- Turn off the main water supplies.
- Refer to the roughing-in dimensions of your bath to properly install this product.
- Carefully inspect the fittings for damage before installing.
- If you are installing a new bath, install the drain before installing the bath.
- Kallista reserves the right to make revisions in the design of products without notice, as specified in the Price Book.

## INSTALLATION INSTRUCTIONS

### 1. ROUGH-IN DIAGRAM



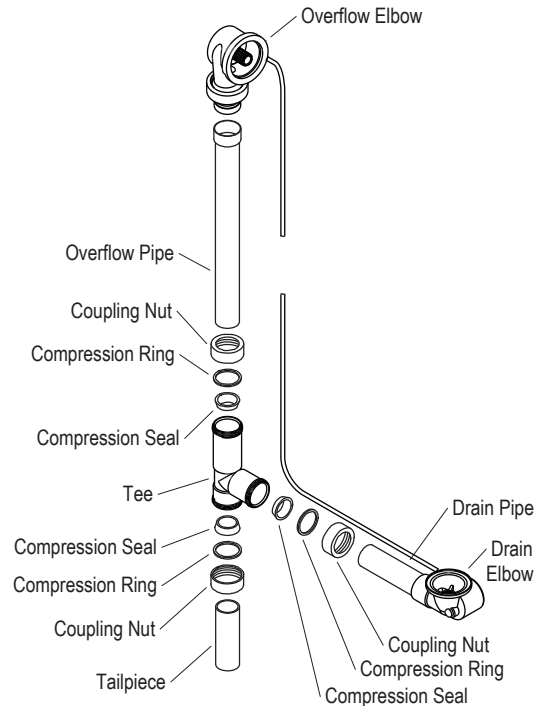
**Optional Tee  
(Included)**

## INSTALLATION INSTRUCTIONS

### 2. INITIAL ASSEMBLY

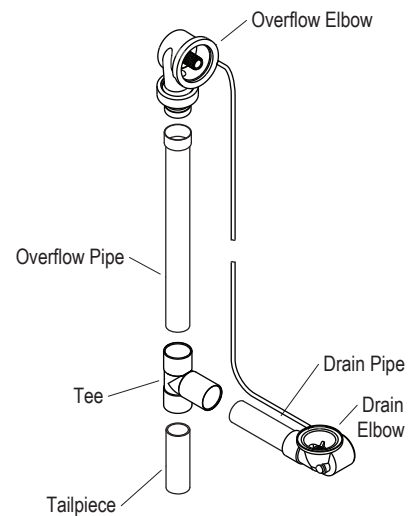
#### If using tee with compression joints:

- Remove the overflow body, waste body, tailpiece and tee from the packaging.
- Disassemble the coupling nuts, compression rings, and compression seals from the tee.
- Assemble the drain elbow, drain pipe, tee, tailpiece, overflow pipe and overflow elbow. Test fit the assembly to the bathtub.
- If necessary, mark and cut the drain pipe and overflow pipe, using the dimensions in the rough-in diagram and the rough-in information for the tub as a guide.
- Remove any sharp edges and retest fit to bathtub.
- Disassemble the drain elbow, drain pipe, tee, tailpiece, overflow pipe and overflow elbow.
- Slide a coupling nut, compression ring, and compression seal onto the overflow pipe. Repeat this process on the drain pipe and tailpiece.
- Fit the overflow pipe, tailpiece, and drain pipe into the tee.
- Hand tighten the coupling nuts onto the tee allowing movement of the overflow body, drain body, and tailpiece.
- Do not fully tighten the coupling nuts until instructed to do so.



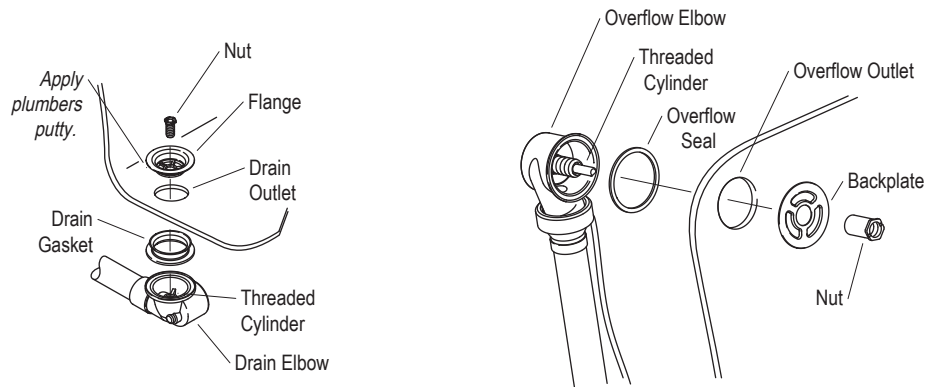
#### If using tee with soldered joints:

- Assemble the drain elbow, drain pipe, tee, tailpiece, overflow pipe and overflow elbow. Test fit the assembly to the bathtub.
- If necessary, mark and cut the drain pipe and overflow pipe, using the dimensions in the rough-in diagram and the rough-in information for the tub as a guide.
- Remove any sharp edges and retest fit to bathtub.
- Do not solder the joints until instructed to do so.



## INSTALLATION INSTRUCTIONS

### 3. INSTALL THE WASTE AND OVERFLOW



**⚠ CAUTION: Risk of product damage.** Do not kink or cause damage to the cable during installation.

**⚠ CAUTION: Risk of property damage.** Make sure a watertight seal exists on all bath drain connections.

- Apply plumbers putty to the underside of the flange.
- Set the flange on top of the drain outlet.
- Apply silicone sealant to the underside of the drain gasket, then place the drain gasket on top of the drain elbow.
- Insert the nut through the center of the flange and onto the threaded cylinder in the drain elbow.
- Hand tighten the nut onto the threaded cylinder. Do not wrench tighten at this time.
- Remove any excess putty from around the flange.
- Remove the overflow seal from the packaging and position it on top of the overflow elbow.
- Apply plumbers putty or other sealant to the top edge of the overflow seal according to the putty manufacturer's instructions.
- Align the overflow elbow to the outside of the overflow outlet.
- Insert the nut through the recessed side of the backplate.
- Insert the nut with backplate onto the threaded cylinder of the overflow elbow.
- Turn the nut clockwise until hand-tight to secure the nut with backplate to the threaded cylinder. Do not wrench tighten at this time.

## INSTALLATION INSTRUCTIONS

### 4. COMPLETE THE INSTALLATION

#### Secure the Connections and Fittings

- Wrench tighten all connections and fittings to one quarter turn past hand-tight.
- If using soldered connections, solder all joints at the tee.

#### Install the Trim

- Insert the plug into the drain outlet. Adjust the height of the plug, if desired.

**NOTE:** To ensure the setscrew does not inadvertently fall down the drain outlet, push down on the plug to close the drain hole.

- Secure the handle to the overflow outlet with the setscrew.
- Turn the handle counterclockwise and clockwise to ensure proper operation of the plug.

#### Complete the Bath Installation

- Install the bath faucet according to the bath faucet manufacturer's installation guide.
- Refer to the bath manufacturer's installation guide to complete the finished deck or wall around the bath.

