

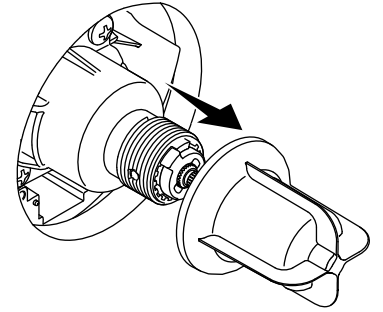
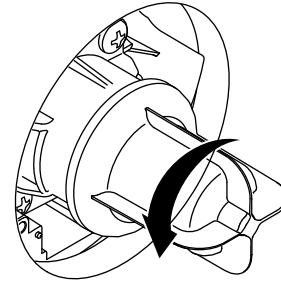
⚠ WARNING: Risk of scalding. High water temperature can cause severe burns. Set the water temperature at or below 120°F (49°C) following the adjustment procedure in the valve Installation and Care Guide.

Record your model number.

Important Information
Observe all local plumbing and building codes.

1 Using the guard as a handle, turn the water off.

2 Remove the plaster guard.



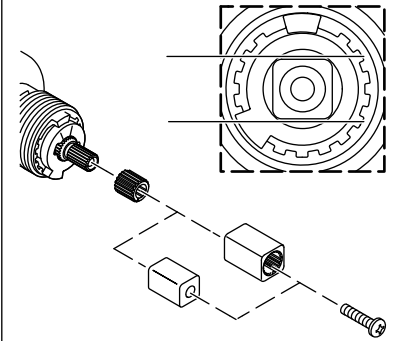
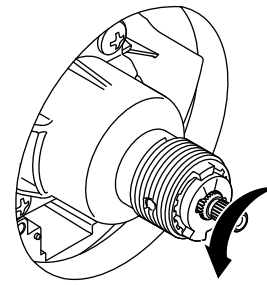
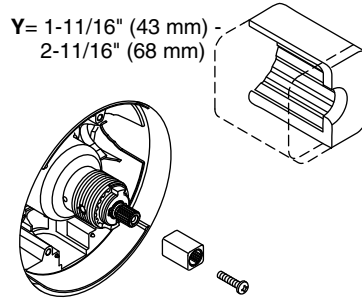
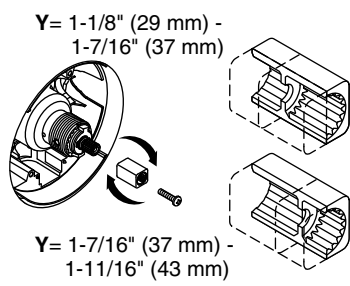
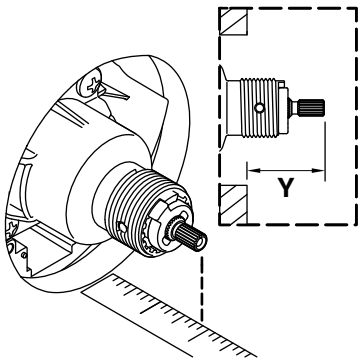
3 Measure dimension "Y" from the finished wall.

4 If "Y" is within the dimensions below, choose and orient the reversible adapter as shown.

5 Choose the short adapter when "Y" is within the dimensions below.

6 Make sure the valve is closed.

7 Install the correct parts according to "Y." Verify level.



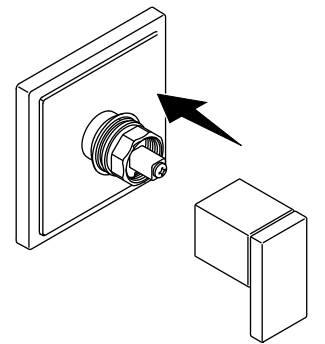
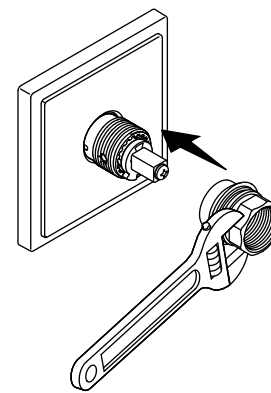
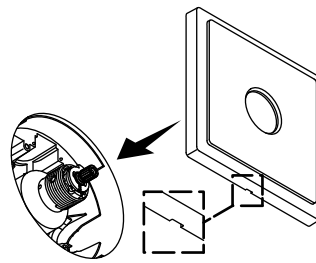
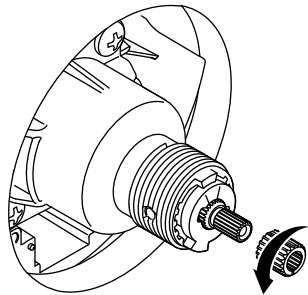
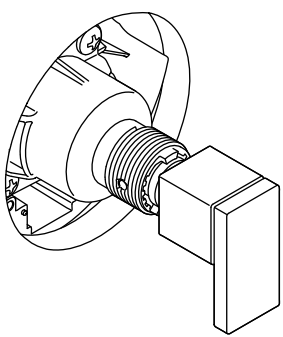
8 Dry fit the handle to confirm vertical alignment in the OFF position.

9 To adjust handle position, rotate the adapter one tooth. Repeat until aligned.

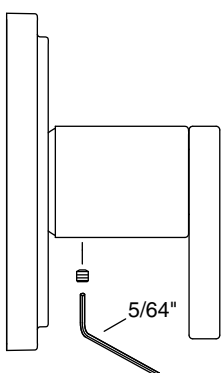
10 Position the faceplate with the notch at the bottom.

11 Thread the bonnet onto the valve. Securely tighten.

12 Install the handle.



13 Secure the handle with the setscrew.



Questions? Problems? For additional assistance, please contact
KALLISTA's Customer Service Department at 1-888-4-KALLISTA
(1-888-452-5547) or kallista.com.