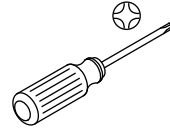
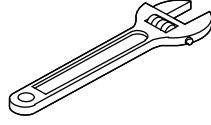


# KALLISTA®

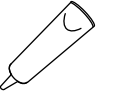
Installation Guide



Stainless (Non-Staining) Plumbers Putty



Sealant Tape



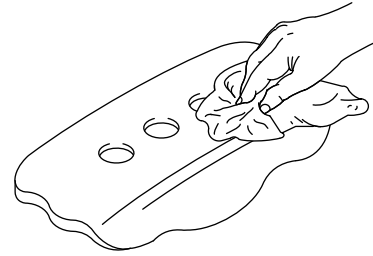
100% Silicone Sealant

**Record your model number below for future reference:**

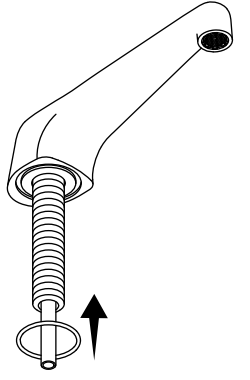
**Important Information**  
For new installations, assemble the faucet to the sink before installing the sink.  
Observe all local codes.  
Shut off the water supply.

Do not use petroleum-based plumbers putty on marble or stone surfaces.

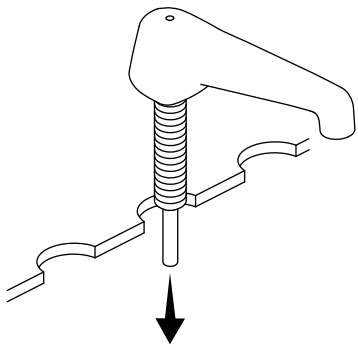
**1** Clean the sink surface.



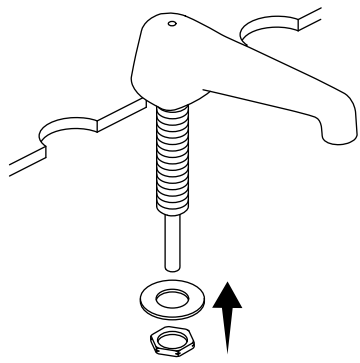
**2** Install the O-ring to the underside of the spout.



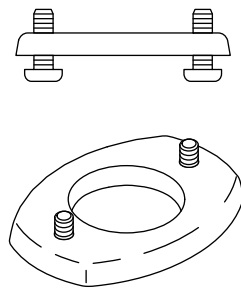
**3** Insert the spout.



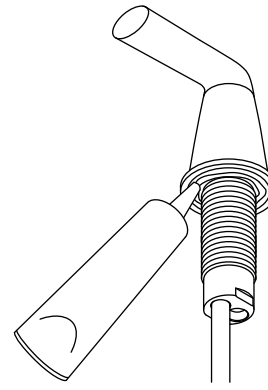
**4** Slide the washer onto the shank. Secure with the nut.



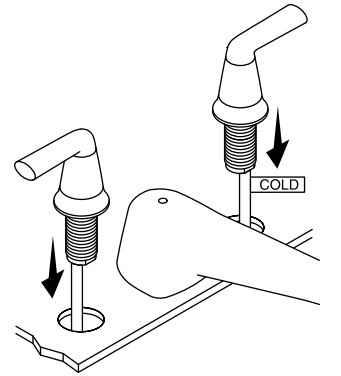
**5** Partially thread the screws into the rings.



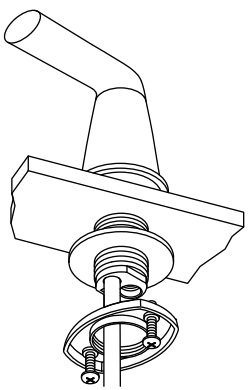
**6** Apply a ring of 100% silicone sealant to the underside of the handles.



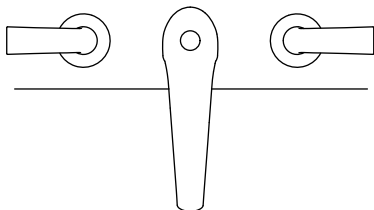
**7** Insert the "COLD" handle on the right and the other handle on the left.



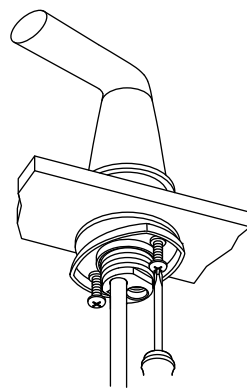
**8** Loosely secure the handles with the washers and threaded rings.



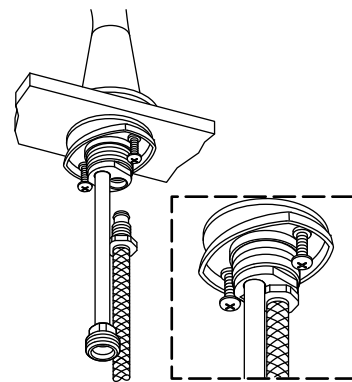
**9** Turn the handles to the OFF position.



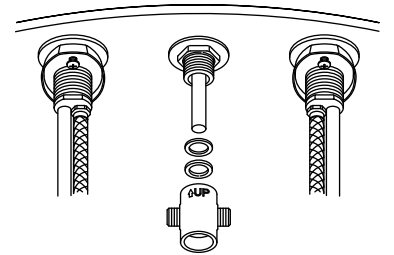
**10** Position the screws to the front and back. Tighten to secure.



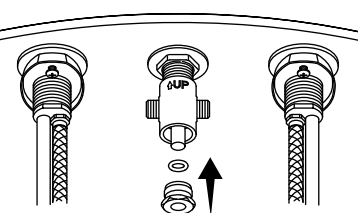
**11** Connect the provided hoses to the valves.



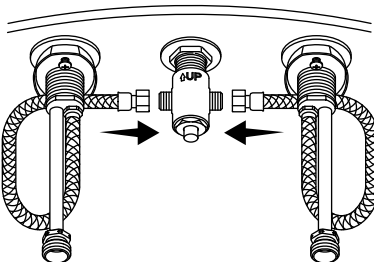
**12** Insert the washer and gasket into the tee. Thread the tee onto the shank.



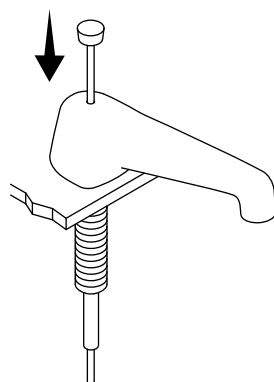
**13** Install the O-ring to the tee. Secure with the nut.



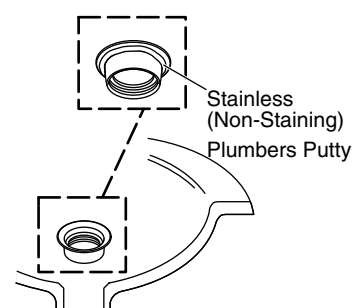
**14** Connect the hoses to the tee.



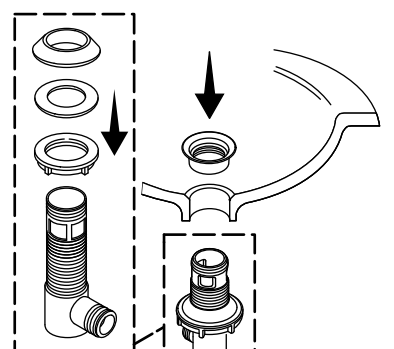
**15** Install the lift rod.



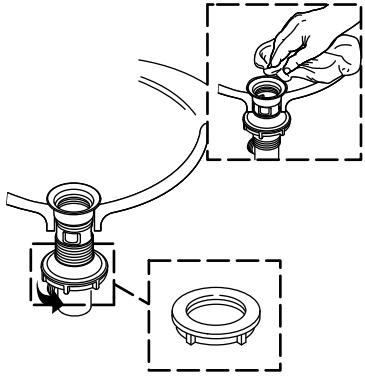
**16** Remove the cover and apply plumbers putty to the flange.



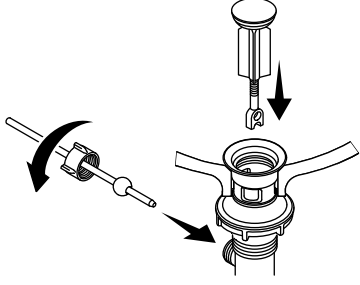
**17** Assemble the drain. Install the flange.



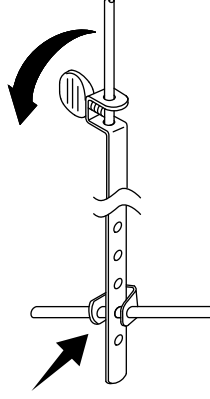
**18** Tighten the nut. Remove excess sealant.



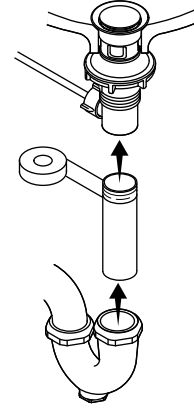
**19** Insert the rod and tighten the nut. Insert the stopper. If needed, turn the stopper bolt to adjust the height.



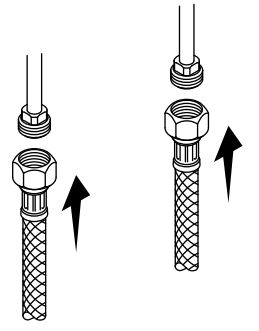
**20** Connect the lift rod using the spring clip. Tighten the thumbscrew. Connect the trap to the tailpiece.



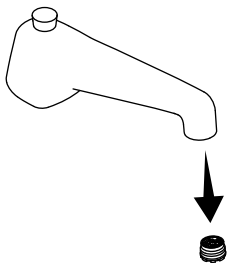
**21** Apply thread sealant tape to the tailpiece and install.



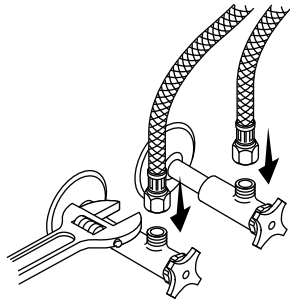
**22** Connect the supply hoses to the valves.



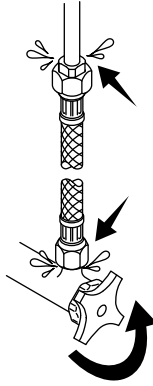
**23** Remove the aerator.



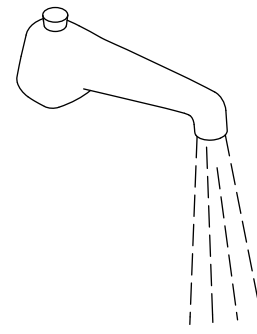
**24** Connect the supply hoses to the supply stops.



**25** Turn on the water supplies. Check for leaks.



**26** Run water to flush debris.



**27** Turn off the water. Install the aerator.

