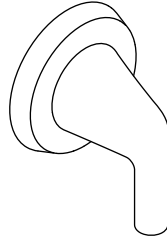


INSTALLATION INSTRUCTIONS



P24823

INSTALLATION INSTRUCTIONS

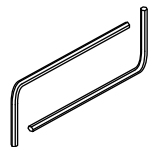
THANK YOU FOR CHOOSING KALLISTA

We appreciate your commitment to KALLISTA quality products. Please take a moment to review this manual before you install your KALLISTA product. If you encounter any installation or performance problems, please do not hesitate to contact us at the phone number listed at the bottom of the page.

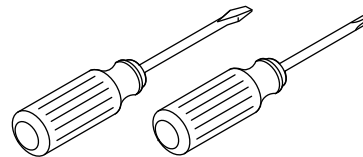
BEFORE YOU BEGIN

- Please read all instructions before you begin.
- Prior to installation, unpack the valve trim and inspect it for damage. Return it to the carton until installation.
- Observe all local plumbing and building codes.
- Shut off the water supply.
- The appearance of your product may differ from what is shown in these instructions, however, the installation procedure is the same.
- KALLISTA reserves the right to make revisions in the design of products without notice, as specified in the Price Book.

TOOLS AND MATERIALS



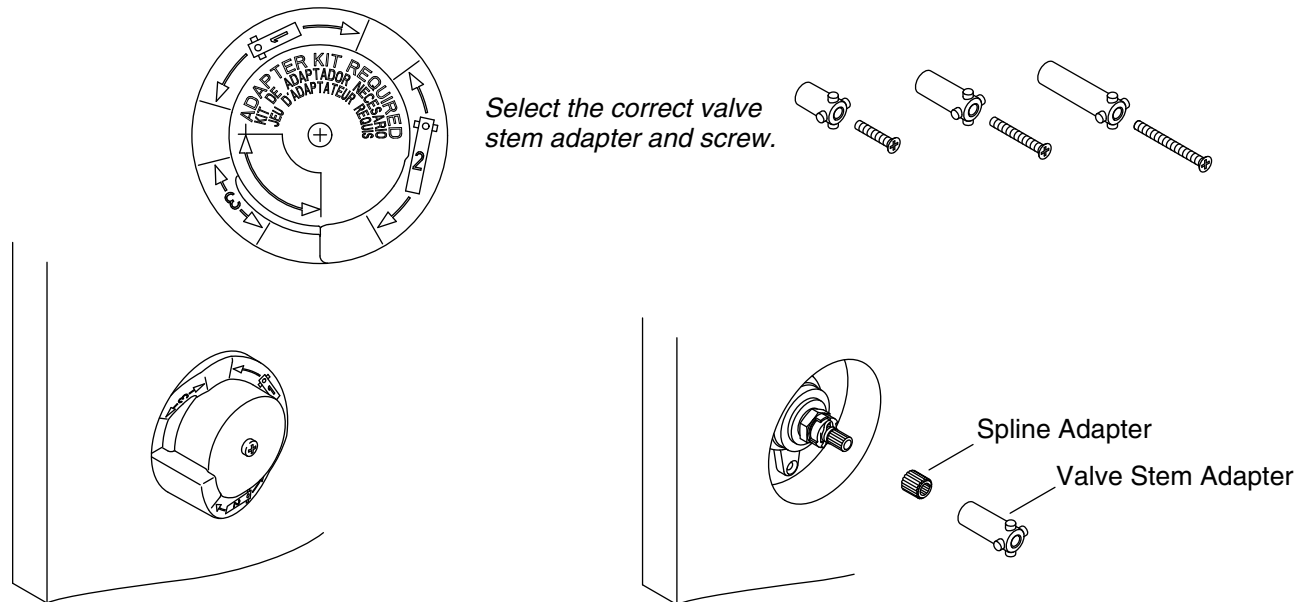
Assorted
Hex Wrenches



Assorted
Screwdrivers

INSTALLATION INSTRUCTIONS

1. INSTALL THE VALVE STEM ADAPTER



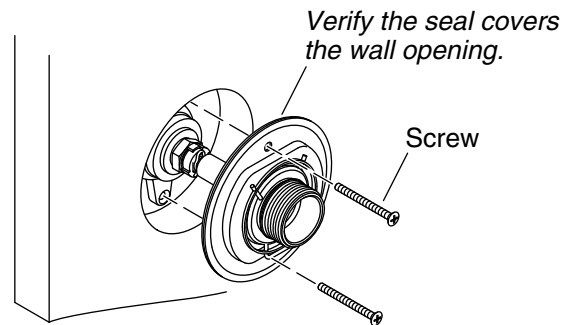
Select the correct valve stem adapter and screw.

NOTE: Check the finished wall surface as related to the graphics on the plaster guard.

- Select the correct length valve stem adapter and screw for your application. Refer to the information stamped on the plaster guard to verify the wall thickness.
- Thin wall - 3/16" (5 mm) to 9/16" (14 mm):** Use the 7/8" (22 mm) (short) valve stem adapter, stamped "3" on the plaster guard, and the 3/8" (19 mm) screw.
- Standard wall - 9/16" (14 mm) to 1-1/16" (27 mm):** Use the 1-3/8" (35 mm) (medium) valve stem adapter, stamped "1" on the plaster guard, and the 1-3/8" (35 mm) screw.
- Thick wall - 1-1/16" (27 mm) to 1-9/16" (40 mm):** Use the 1-7/8" (48 mm) (long) valve stem adapter, stamped "2" on the plaster guard, and the 1-3/4" (44 mm) screw.
- Remove and discard the plaster guard from the valve.
- Place the spline adapter over the valve stem.
- Set the valve stem adapter over the spline adapter. **Do not completely press or screw the valve stem adapter into place until instructed to do so.**

INSTALLATION INSTRUCTIONS

2. INSTALL THE FRONT PLATE



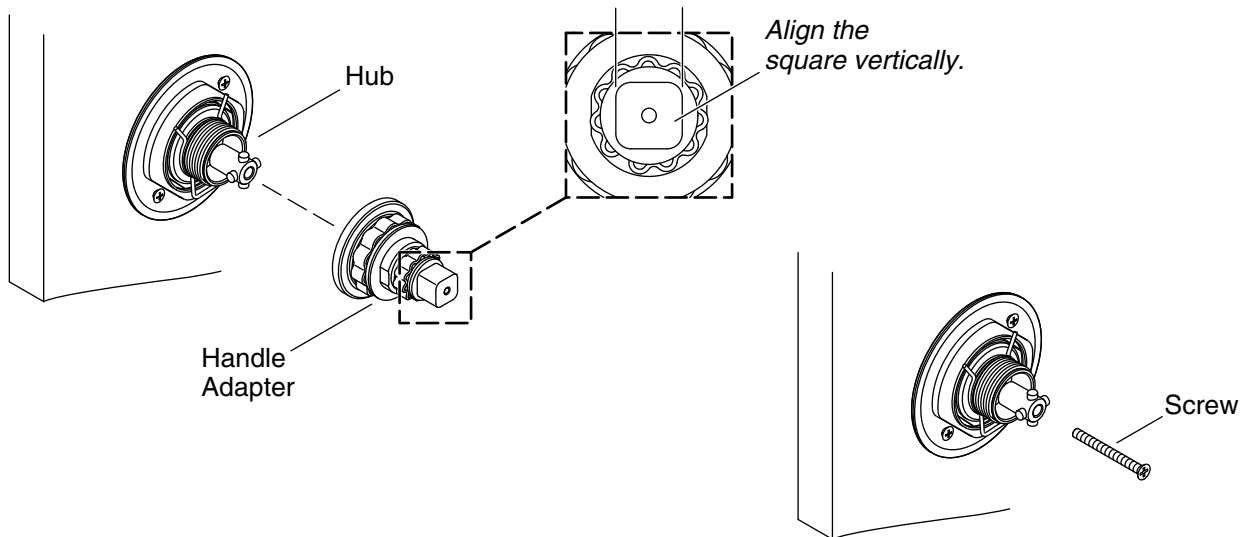
- Align the holes on the front plate assembly and the valve.

NOTE: Be sure to select the correct length screw for your application.

- Attach the two screws through the front plate assembly and into the valve. Do not overtighten.
- Visually inspect the front plate assembly to ensure the foam seal is completely covering the wall opening. If not, stop the installation and repair the wall opening.

INSTALLATION INSTRUCTIONS

3. ADJUST THE HANDLE ADAPTER



- Make sure the valve stem adapter is lightly placed over the spline adapter.
- Turn the valve stem adapter counterclockwise until the valve is fully closed.
- Align the square end of the handle adapter vertically. While holding the square vertical, thread the handle adapter onto the hub of the front face plate assembly.

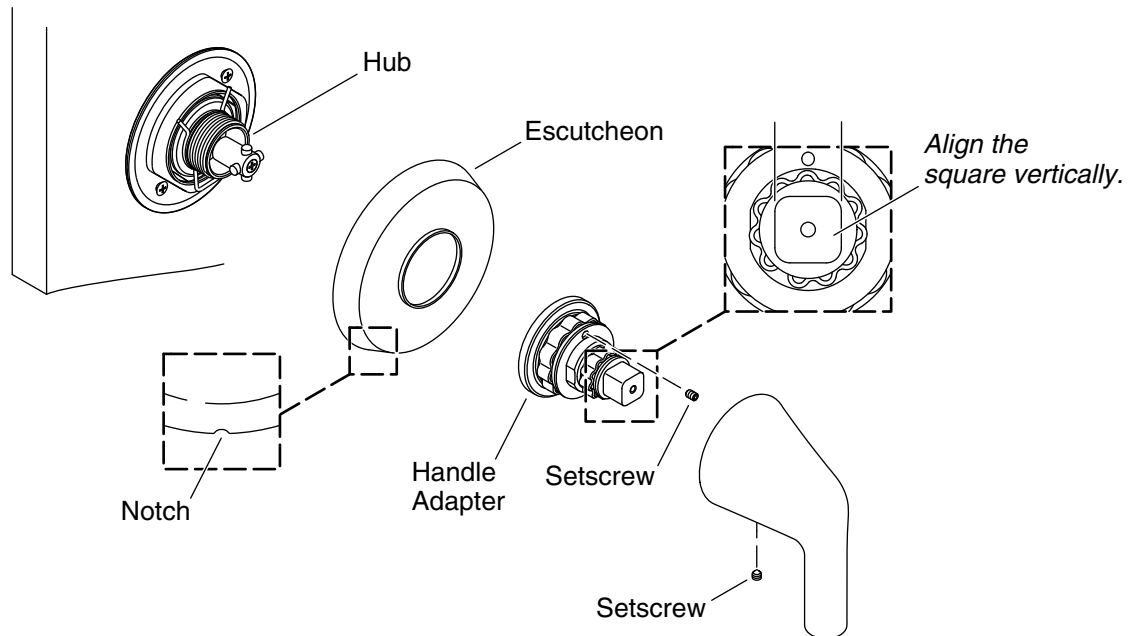
Verify/Adjust Alignment

NOTE: The spline adapter allows fine adjustment of the handle alignment.

- Verify that the square end of the adapter is aligned vertically.
- If adjustment is needed, remove the handle adapter and the valve stem adapter.
- Reposition the spline adapter.
- Place the valve stem adapter and handle adapter back onto the spline adapter.
- Check the vertical alignment of the square.
- Repeat until proper alignment is achieved.
- Remove the handle adapter and set aside.
- Secure the valve stem adapter to the valve with the correct length screw, as selected in the "Install the Valve Stem Adapter" section of this guide.

INSTALLATION INSTRUCTIONS

4. INSTALL THE TRIM



- Place the escutcheon on the wall with the drain notch located downward in the 6 o'clock position.
- Align the square end of the handle adapter vertically. While holding the square end vertically, thread the handle adapter onto the hub of the front face plate assembly.
- Thread the setscrew into the handle adapter to secure it to the hub.
- Press the handle onto the adapter with the handle pointing down in the 6 o'clock position.
- Secure the setscrew into the handle. Do not overtighten.