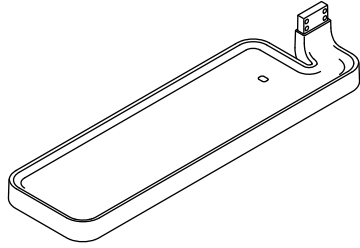
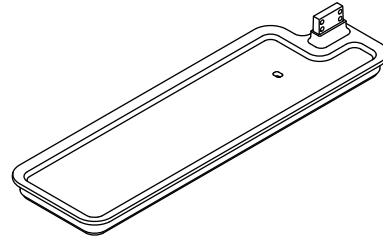


INSTALLATION INSTRUCTIONS



P21665



P21666

INSTALLATION INSTRUCTIONS

THANK YOU FOR CHOOSING KALLISTA

We appreciate your commitment to KALLISTA quality products. Please take a moment to review this manual before you install your KALLISTA product. If you encounter any installation or performance problems, please do not hesitate to contact us at the phone number listed at the bottom of the page.

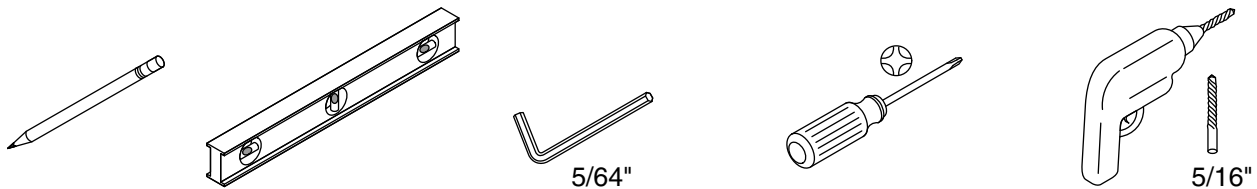
BEFORE YOU BEGIN

IMPORTANT! For retrofit/remodel installations, check the existing shower enclosure for adequate clearances before proceeding with the sidebar shelf installation.

NOTICE: Risk of product damage. Do not apply excessive weight or downward force to the sidebar shelf.

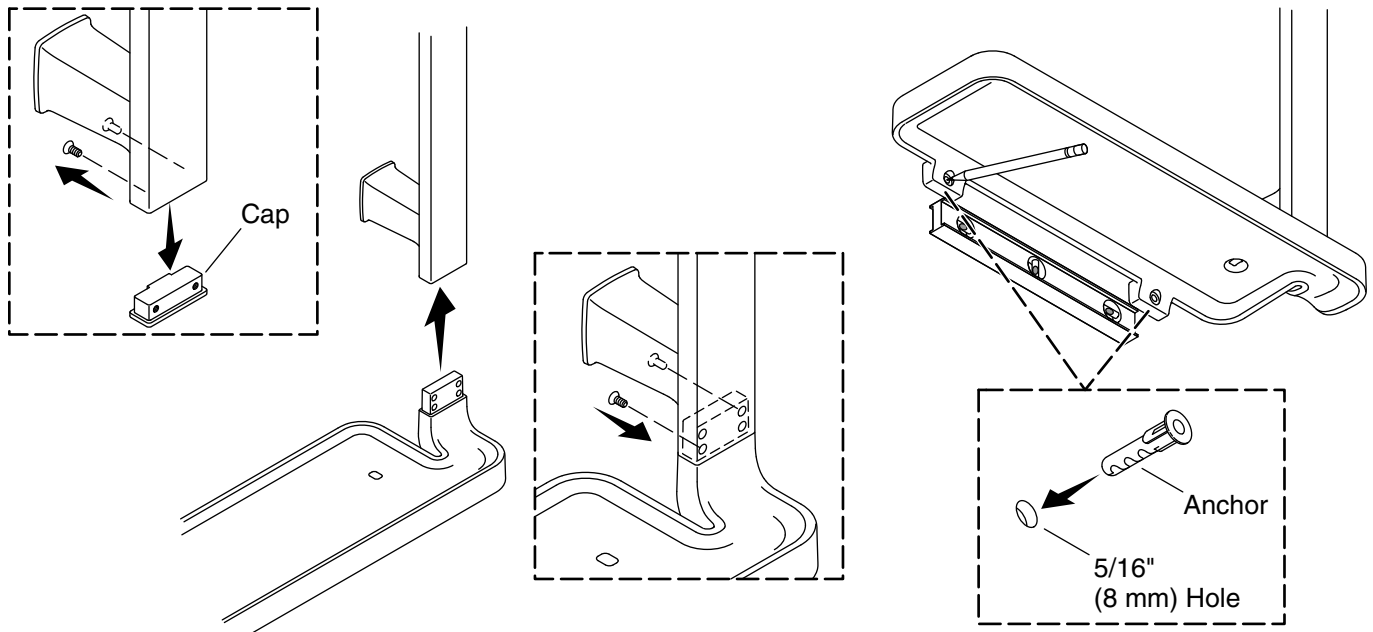
- Prior to installation, unpack the new sidebar shelf and inspect it for damage. Return the shelf to its protective carton until you are ready to install it.
- Ensure that adequate strength wall backing materials and stud bracing are properly positioned behind the finished wall.
- Observe all local plumbing and building codes.
- KALLISTA reserves the right to make revisions in the design of products without notice, as specified in the Price Book.

TOOLS AND MATERIALS



INSTALLATION INSTRUCTIONS

1. MARK THE MOUNTING HOLES



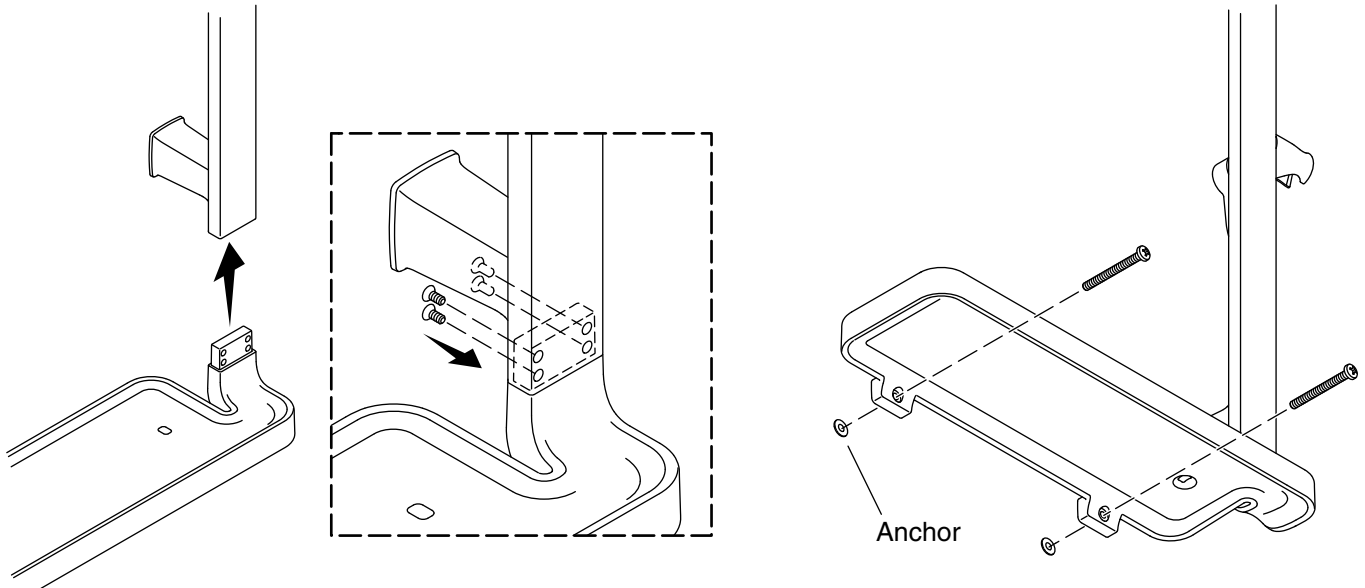
- Remove the two bottom screws from the sidebar to remove the bottom cap.
- Insert the shelf into the bottom of the sidebar.

IMPORTANT! Support the bottom of the shelf while it is temporarily attached to the sidebar.

- Using a 5/64" hex wrench, thread two of the four supplied screws into the back of the sidebar to temporarily secure the shelf.
- While supporting the bottom of the shelf, use a level to level the shelf against the wall.
- Mark the two mounting holes on the underside of the shelf.
- Remove the shelf from the sidebar.
- Drill two 5/16" (8 mm) holes at the marked locations on the wall.
- Insert the appropriate anchors into the holes until flush with the wall.

INSTALLATION INSTRUCTIONS

2. INSTALL THE SLIDEBAR SHELF



- Insert the shelf into the bottom of the sidebar.
- Using a 5/64" hex wrench, loosely secure the shelf to the sidebar with the four screws.
- Secure the shelf to the wall using the two wall anchor screws. Do not overtighten.
- Securely tighten the shelf to the sidebar.