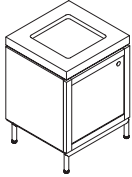


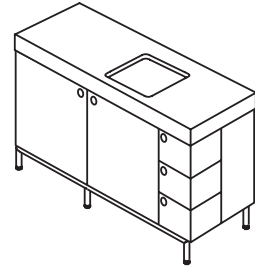
## INSTALLATION INSTRUCTIONS



**P74205, P74209, P74202-SM**



**P74210, P74211, P74212**



**P74213, P74214, P74215**

## INSTALLATION INSTRUCTIONS

### THANK YOU FOR CHOOSING KALLISTA

We appreciate your commitment to KALLISTA quality products. Please take a moment to review this manual before you install your KALLISTA product. If you encounter any installation or performance problems, please do not hesitate to contact us at the phone number listed at the bottom of the page or visit us on line at [kallista.com](http://kallista.com).

### BEFORE YOU BEGIN

The **Vir Stil® .75 Vanity** consists of the following:

- **P74205** – .75 Wood Vanity
- **P74209** – Stone Top
- **P74202-SM** – Small Metal Base with (1 ea.) Handle
- **P72040** – Undercounter Basin

The **Vir Stil® 1.0 Vanity** consists of the following:

- **P74210** – 1.0 Wood Vanity
- **P74211** – Stone Top
- **P74212** – Metal Base with (4 ea.) Handles
- **P72040** – Undercounter Basin

The **Vir Stil® 1.5 Vanity** consists of the following:

- **P74213** – 1.5 Wood Vanity
- **P74214** – Large Stone Top
- **P74215** – Large Metal Base with (5 ea.) Handles
- **P72040** – Undercounter Basin

- Prior to installation, unpack all products and inspect them for damage. If the product is damaged, contact Kallista's Customer Service immediately at the phone number listed at the bottom of the page.

**NOTE:** Although your vanity may differ from the one shown in the illustrations, the installation steps are the same.

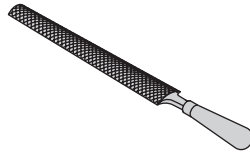
- This installation requires a minimum of two people. **Do not** install this fixture alone.
- The stone console lavatory can be installed with three different faucet configurations:
  - **Single-Hole** for a monoblock faucet
  - **Three-Hole** for a widespread faucet
  - **No-Hole** for a wall-mount faucet
- Refer to your faucet installation instructions to determine which configuration is necessary for your lavatory.
- To create the holes necessary for your faucet installation, refer to the instructions in section 2.
- KALLISTA reserves the right to make revisions in the design of products without notice, as specified in the Price Book.

## INSTALLATION INSTRUCTIONS

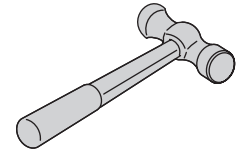
### TOOLS AND MATERIALS



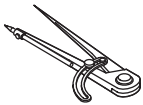
Pliers



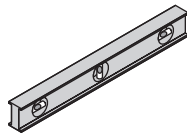
File



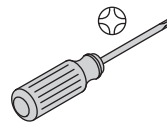
Hammer



Compass



Level

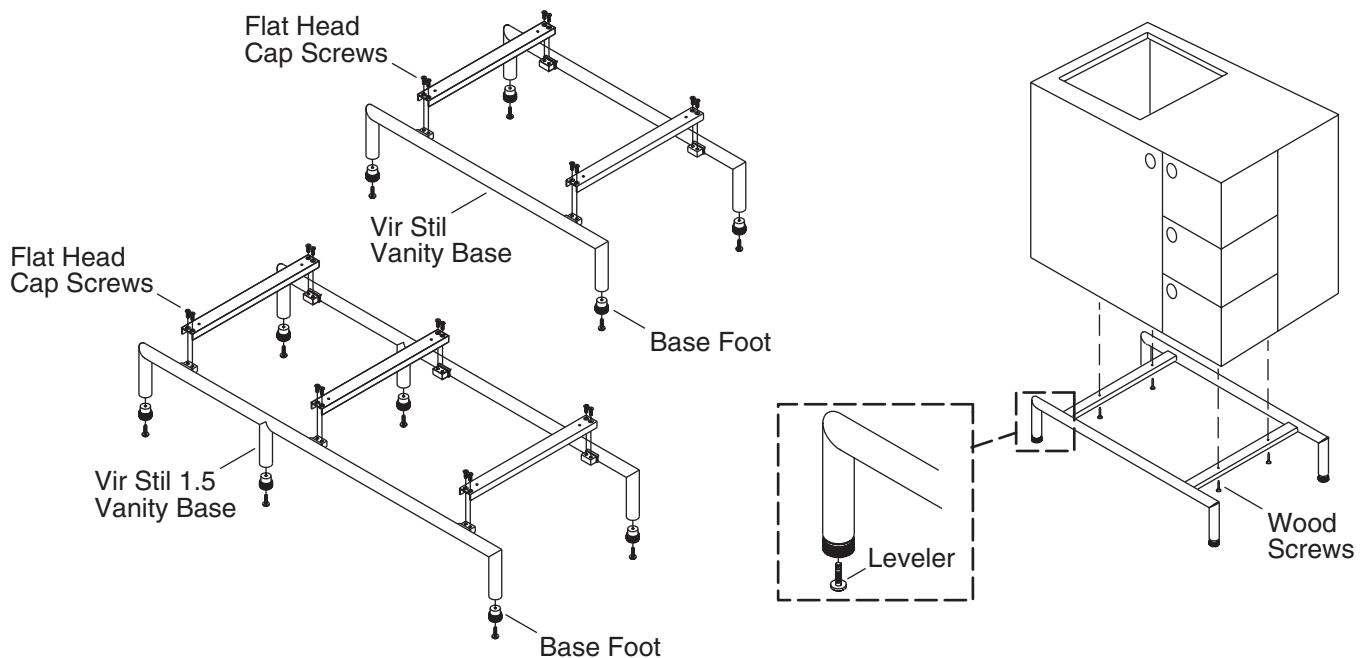


Phillips Screwdriver



Rags

### 1. ATTACH VANITY TO METAL BASE



- Assemble the metal base.
- Position the metal base in the desired final location. If the floor is uneven, use a pair of pliers to adjust the leveler located in the foot of the base.

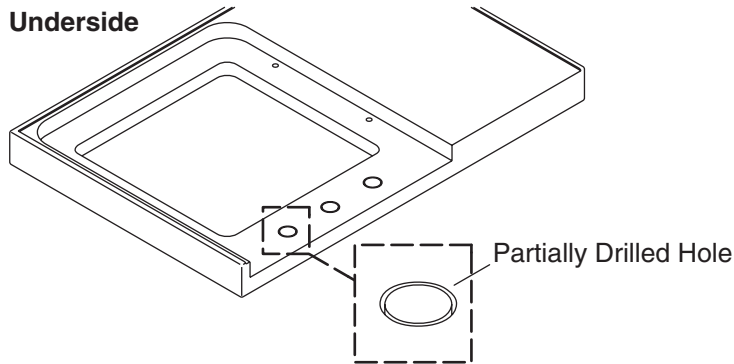
**NOTE:** Lowering the vanity into place is a two person task.

- Mount the vanity to the metal base using the supplied wood screws.

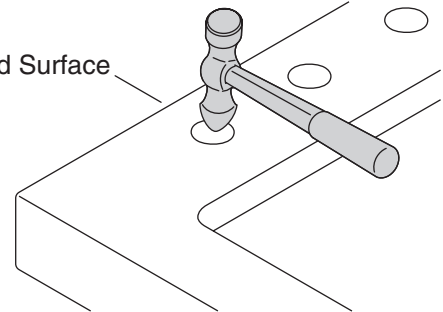
## INSTALLATION INSTRUCTIONS

### 2. STONE TOP HOLE FABRICATION

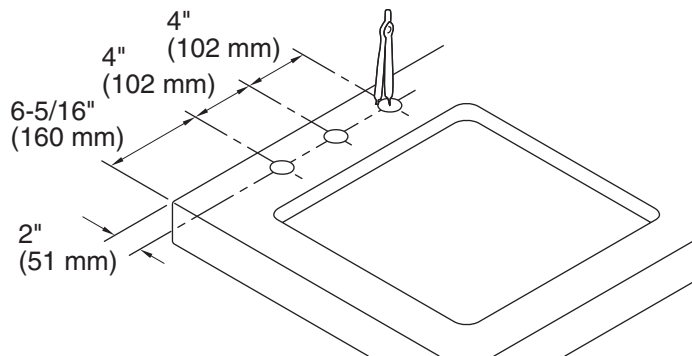
Underside



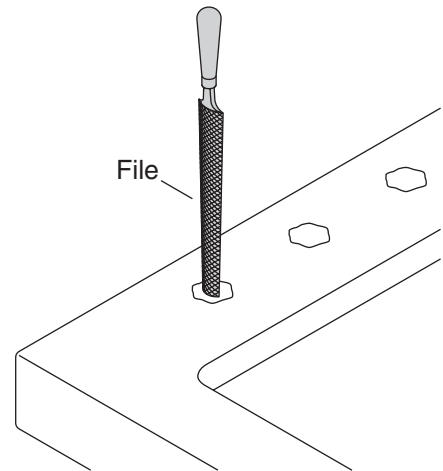
Top or Finished Surface



Top or Finished Surface



File



**NOTE:** Three faucet holes have been partially drilled from the underside of the stone top.

- Determine the number of faucet holes needed for your installation.
- Turn the stone top upright.
- On the top or finished surface of the stone, locate the center for each faucet hole that will be used.

**NOTE:** The circles should align with the partially drilled holes on the underside of the stone top.

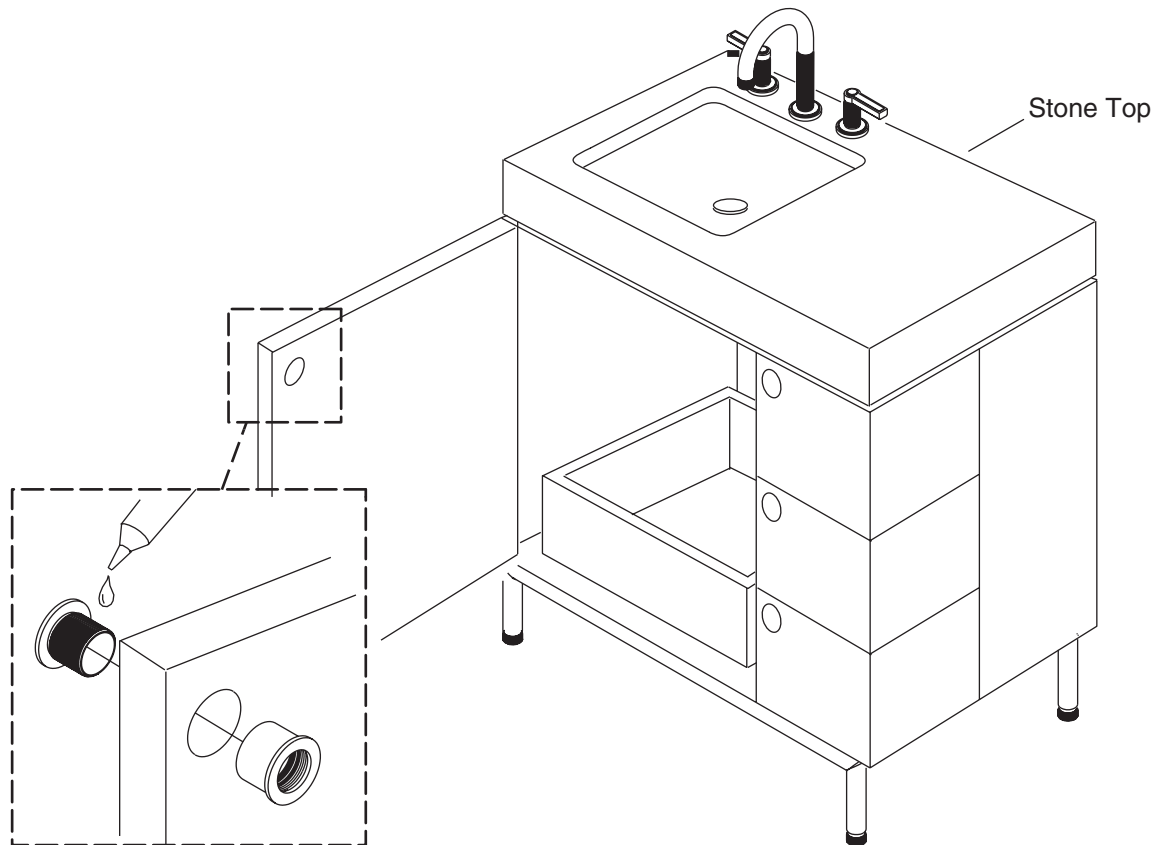
- Use a compass or circle template to draw a circle representing the holes.

**IMPORTANT!** Striking the stone with too much force or from the underside will damage the top or finished surface of the stone.

- Using a small hammer, create the faucet hole(s) by gently tapping the stone within the circles until the stone breaks away.
- Using a file or sanding cylinder, complete the removal of stone material to create a clean, round hole.

## INSTALLATION INSTRUCTIONS

## 3. COMPLETE INSTALLATION



**NOTE:** Prior to positioning the stone top on the vanity, it is recommended that the plumber install the faucet and undercounter basin.

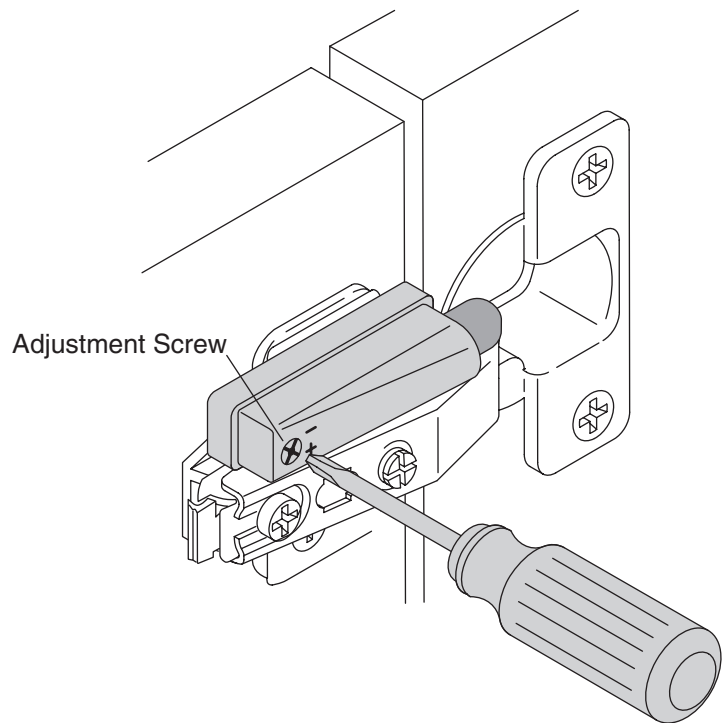
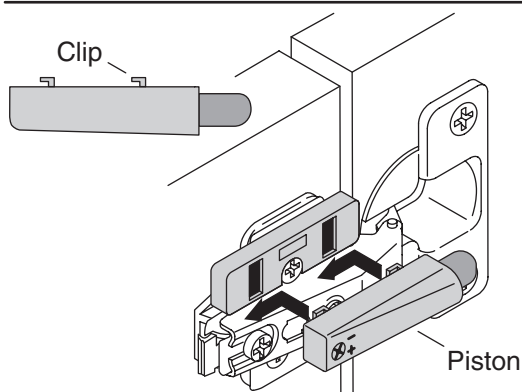
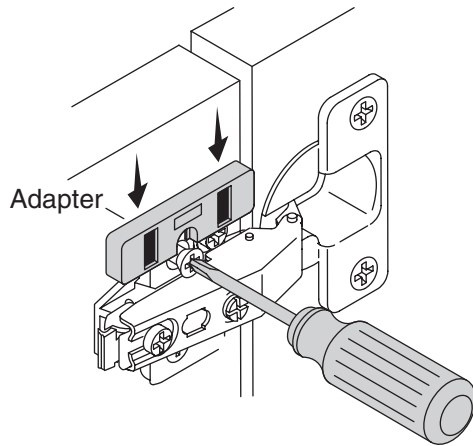
- With assistance from a second person, gently lower the stone top onto the vanity.

**NOTE:** Only three drops of adhesive are required.

- Prior to mounting the handle to the door, place a **small** amount of adhesive to the threading of the handles.
- Screw the handles together with the male threads on the exterior side.
- Using a damp rag, wipe away any excess adhesive immediately.

## INSTALLATION INSTRUCTIONS

### 4. ADJUST THE CLOSING SPEED OF THE DOOR



#### Installation:

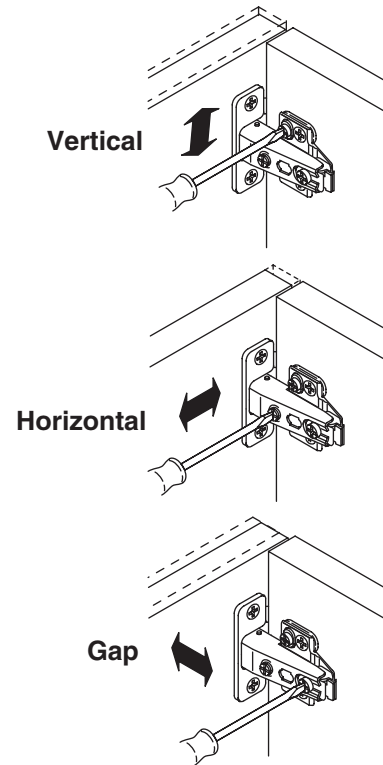
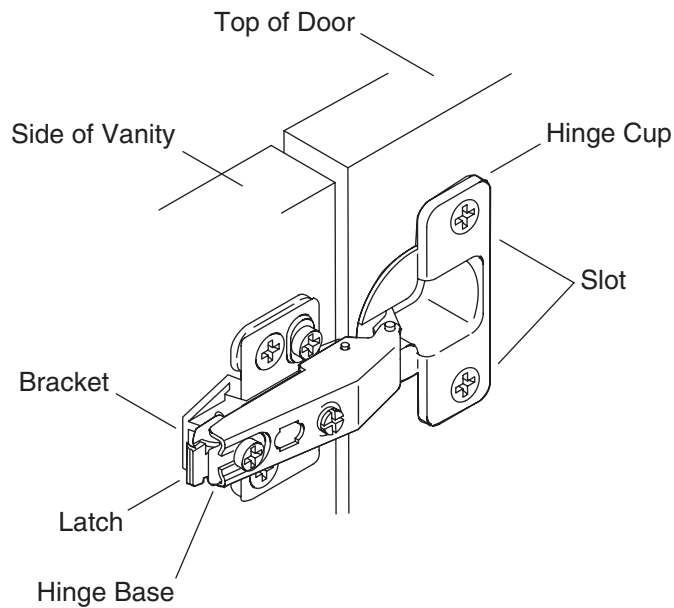
- Loosen a screw on the mounting plate and position the adapter under the screw.
- Tighten the screw to secure the adapter to the mounting plate.
- To attach the piston, insert the clips on the piston into the square holes on the adapter. Slide the piston back until it snaps into place.

#### Adjustment:

- To **decrease** the closing speed, turn the adjustment screw toward the plus sign.
- To **increase** the closing speed, turn the adjustment screw toward the minus sign.

## INSTALLATION INSTRUCTIONS

### 5. REMOVE/ADJUST THE DOORS AND HINGES



#### Removal:

- At each hinge assembly location on the door, hold the door in place with one hand while releasing the latch from the bracket. The door will detach from the hinges. Set the door aside.
- If applicable, remove the remaining door in the same manner.

#### Replacement/Reinstallation:

- Line up the latch pin on the hinge cup with the groove on the hinge base and then snap into place.
- Open and close the door to confirm smooth operation. Adjust the screws on the hinge assembly as needed.

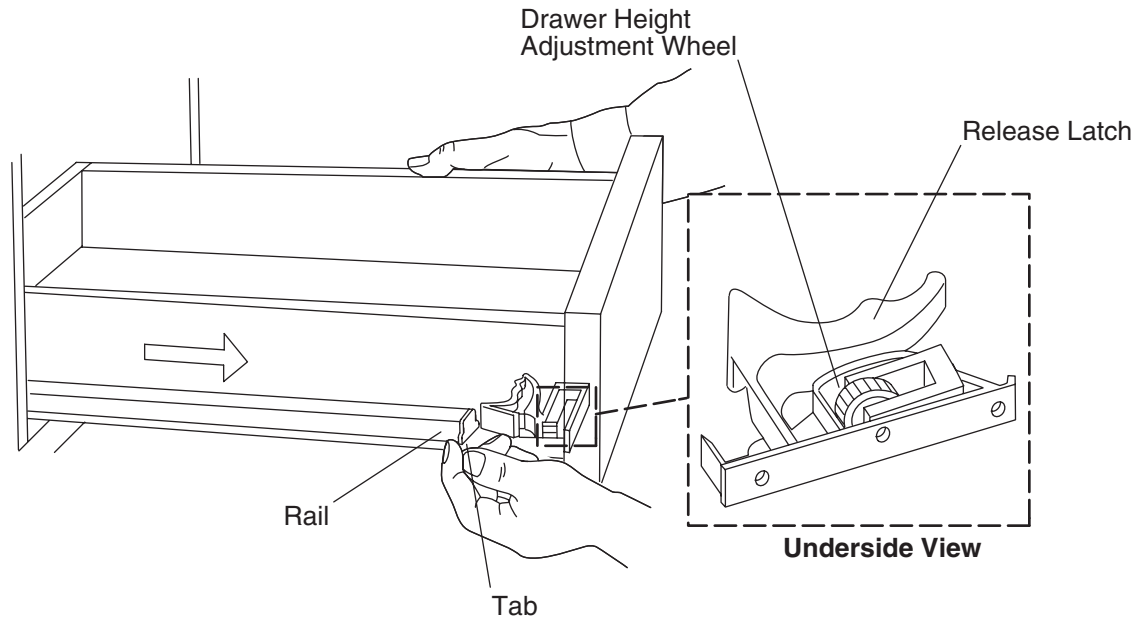
#### Adjustment:

**NOTE:** Refer to the hinge assembly illustration above to select the screw that corresponds to the adjustment needed.

- Vertical (up or down)** – Turn the screw either way on the bottom and top hinge assembly until the desired adjustment is achieved.
- Horizontal (left or right)** – Turn the screw either way on the bottom and top hinge assembly until the desired adjustment is achieved.
- Gap (in or out)** – Loosen the screw on the bottom and top hinge assembly, hold the door in the desired position, and then retighten the screws.

## INSTALLATION INSTRUCTIONS

### 6. REMOVE/ADJUST THE DRAWER



**NOTE:** A drawer height adjustment wheel and a release latch are located underneath the front of the drawer at each corner.

#### Removal:

- Slide the drawer out on the rails until fully extended.
- Pull both release latches toward you and then pull the front of the drawer up off the rails.
- Lift the drawer out from the vanity.

#### Reinstallation:

- Fully extend the rails.
- Align the grooves on the underside of the drawer with the rails and set the drawer into place.
- Hold the drawer in place on the rails with one hand. With your other hand, pull the tab on the bottom front of the rail toward you until you hear the rail “snap” into place. Repeat this step for the remaining rail.
- Ensure the drawer is locked into place by lightly lifting the front of the drawer upward. If the drawer does not lift up, it is engaged. If the drawer lifts up, repeat the procedure.
- Slide the drawer in and out of the vanity to ensure smooth operation.

#### Adjustment

- Slide the drawer out on the rails until fully extended.
- Turn the drawer height adjustment wheels to adjust the drawer height. To lower the drawer, turn the wheel on the left side of the drawer clockwise and/or the wheel on the right side of the drawer counterclockwise. Turn the wheel(s) in the opposite direction to raise the drawer.