

Installation Guide

3-Way/2-Way Transfer Valve

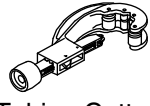
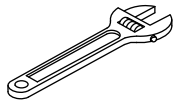
KALLISTA.

1091987-2-E

Thank You For Choosing Kallista

We appreciate your commitment to KALLISTA quality products. Please take a moment to review this manual before you install your KALLISTA product. If you encounter any installation or performance problems, please do not hesitate to contact us from within the USA or Canada at 1-888-4-KALLISTA (1-888-452-5547).

Tools and Materials

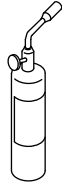


Tubing Cutter

Sealant Tape



Hex Wrench



Propane Torch



Solder

Plus:

- 1/2" Copper tubing or piping for outlets
- 3/4" Copper tubing or piping for inlets
- 1/2" NPT plug

Before You Begin



WARNING: Risk of scalding. High water temperature can cause severe burns. Set the water temperature at or below 120°F (49°C) following the adjustment procedure.

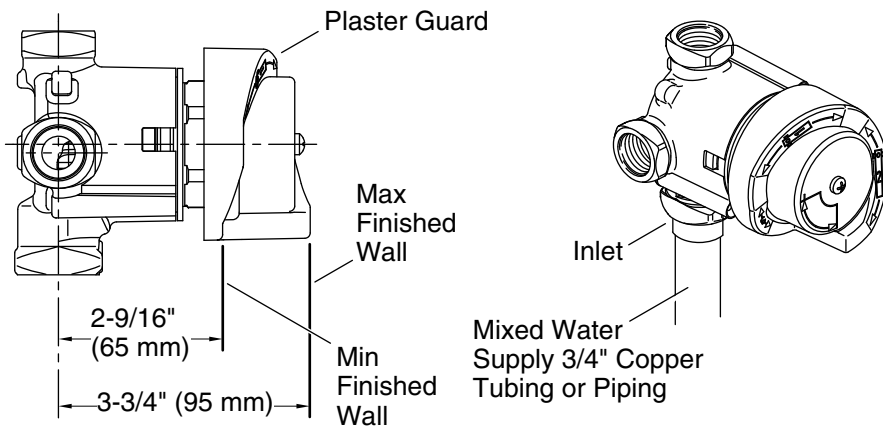
IMPORTANT! Risk of product damage. Do not apply direct heat to the valve. Excessive heat will damage the plastic components and plaster guard.

IMPORTANT! This valve is not intended to be used as a shut-off valve. If fewer than three accessories will be installed, complete the 2-way conversion before plugging any outlets.

- Observe all local plumbing and building codes.
- Do not remove the plaster guard until instructed to do so.
- A mixed water supply is required for this valve.
- Read these instructions and plan the installation before beginning. Component location, spacing, and situational requirements can vary.
- Shut off the water supply.

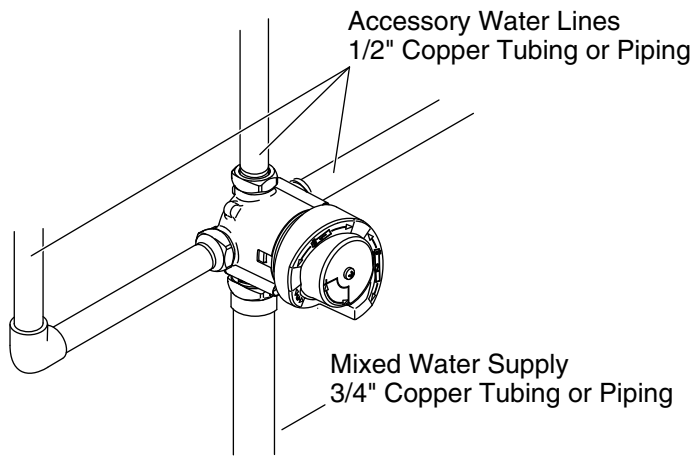
Before You Begin (cont.)

- Inspect the waste and supply tubing; replace if necessary.



1. Prepare the Site

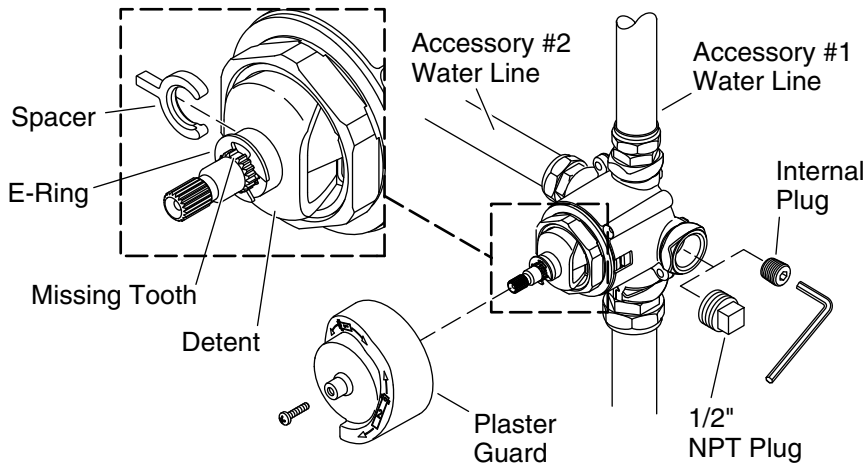
- Provide a 2-7/8" (73 mm) to 3-1/8" (79 mm) diameter hole in the wall material for the plaster guard.
- Route a 3/4" mixed water supply line to the transfer valve location.
- Apply sealant tape to the inlet port threads.
- Connect the water supply to the transfer valve inlet.
- **2-way:** If two accessories will be attached to the valve, go to the "Installation for 2-Way" section.
- **3-way:** If three accessories will be attached to the valve, go to the "Installation for 3-Way" section.



2. Installation for 3-Way

IMPORTANT! Do not remove the internal plug from the valve body. The plug connects the left and right ports, allowing either to be used for an additional accessory.

- ❑ Install 1/2" copper tubing or piping for all accessories. Securely fasten the piping and outlet elbows to the framing.
- ❑ Install temporary 1/2" nipples in the outlet elbows so that they extend a minimum of 2" (51 mm) beyond the finished wall.
- ❑ Turn on the water supply to the valve. Check for leaks and proper operation. Once verified, turn off the water.
- ❑ Install caps on the temporary bath and shower nipples.
- ❑ Turn on the water supply. Check for leaks. Once verified, turn off the water.
- ❑ Complete the finished wall.
- ❑ Install the trim according to the installation instructions packed with the trim.



3. Installation for 2-Way

IMPORTANT! This valve is not intended to be used as a shut-off valve. Complete the 2-way conversion before plugging any outlets.

2-Way Conversion

- Temporarily remove the plaster guard.
- Rotate the detent until positioned vertically.
- Verify that the missing tooth is oriented up.

IMPORTANT! If the internal plug is not removed, the finished wall will need to be removed to perform this step at a later date.

- Using a 1/4" hex wrench, remove and discard the internal plug from inside the valve body.
- Plug the unused port (left or right) with a 1/2" NPT plug (not included).
- Using pliers, remove the spacer from the detent.
- Push the detent in, ensuring that the points of the detent engage with the notches of the valve cartridge.
- Install the spacer between the detent and E-ring.

Install the 2-Way Valve

- Install 1/2" copper tubing or piping for both accessories. Securely fasten the piping and outlet elbows to the framing.

Installation for 2-Way (cont.)

- Install temporary 1/2" nipples in the outlet elbows so they extend a minimum of 2" (51 mm) beyond the finished wall.

IMPORTANT! When testing P29513 operation, water should flow as follows: Accessory 1, Accessories 1 and 2, Accessory 2. If water flows as: Accessory 2, Accessory 2, Accessories 1 and 2; you will need to remove the spacer, rotate the detent 180 degrees, then reinstall the spacer.

IMPORTANT! When testing K-737 operation, water should flow as follows: Accessory 1, Accessory 2. Combined functionality will not work.

NOTE: For P29514 only: When the valve is turned midway between the two outlet ports, water flow from the ports will reduce to a trickle.

- Turn on the water supply to the valve. Check for leaks and proper operation. Once verified, turn off the water.
- Install caps on the temporary bath and shower nipples.
- Turn on the water supply. Check for leaks. Once verified, turn off the water.
- Complete the finished wall.
- Install the trim according to the installation instructions packed with the trim.

USA/Canada: 1-888-4-KALLISTA

Fax: 1-888-272-3094

kallista.com

KALLISTA[®]

©2017 KALLISTA

1091987-2-E