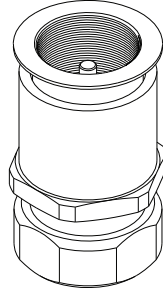


### INSTALLATION INSTRUCTIONS



**P29515**

## INSTALLATION INSTRUCTIONS

### THANK YOU FOR CHOOSING KALLISTA

We appreciate your commitment to KALLISTA quality products. Please take a moment to review this manual before you install your KALLISTA product. If you encounter any installation or performance problems, please do not hesitate to contact us at the phone number listed at the bottom of the page.

### BEFORE YOU BEGIN

- Carefully plan the installation before beginning. Carefully read the entire instructions. Component location, spacing, and situational requirements can vary.
- Shut off the main water supply.
- Observe all local plumbing and building codes.
- Provide an access panel to the valve for servicing.
- KALLISTA reserves the right to make revisions in the design of products without notice, as specified in the Price Book.

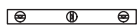
### TOOLS AND MATERIALS



Tape Measure



Pencil



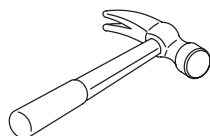
Level



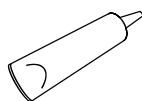
Drill



Safety Glasses



Claw Hammer



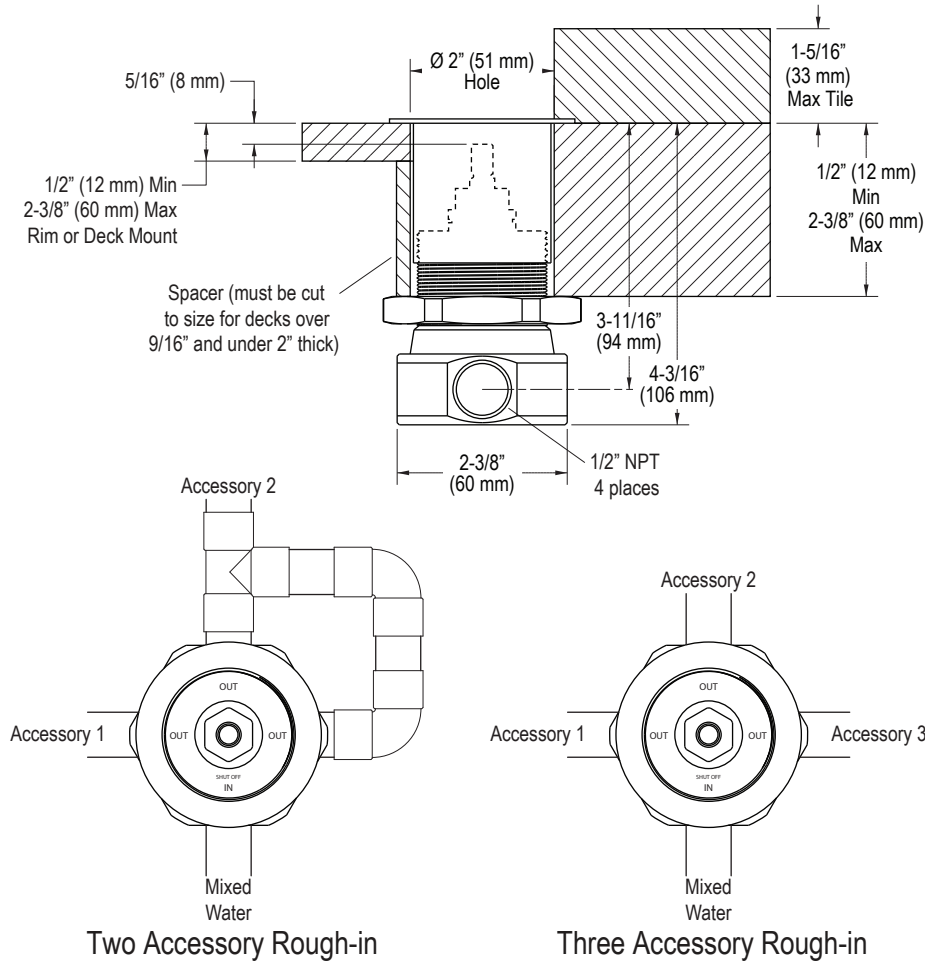
Clear 100% Silicone Sealant or Caulk

#### Plus

- Conventional woodworking tools and materials, as appropriate
- Saw
- Screws
- Screwdriver

## INSTALLATION INSTRUCTIONS

### 1. ROUGH-IN DIAGRAM



### 2. PIPING CONFIGURATIONS

- Verify the location of the components and the orientation of all ports.
- Decide in advance on the location and orientation of the diverter.
- The location of the components, as well as the direction in which the inlets/outlets point, will affect the piping and connectors needed.
- Allow clearance for the valve outlets, handles, and hoses. For use with an optional spout, also allow clearance for the spout connection.
- Secure long runs of piping to the underside of the deck or rim. If the piping cannot be secured at a point near the transfer valve, secure the piping from underneath with lumber or other suitable support.

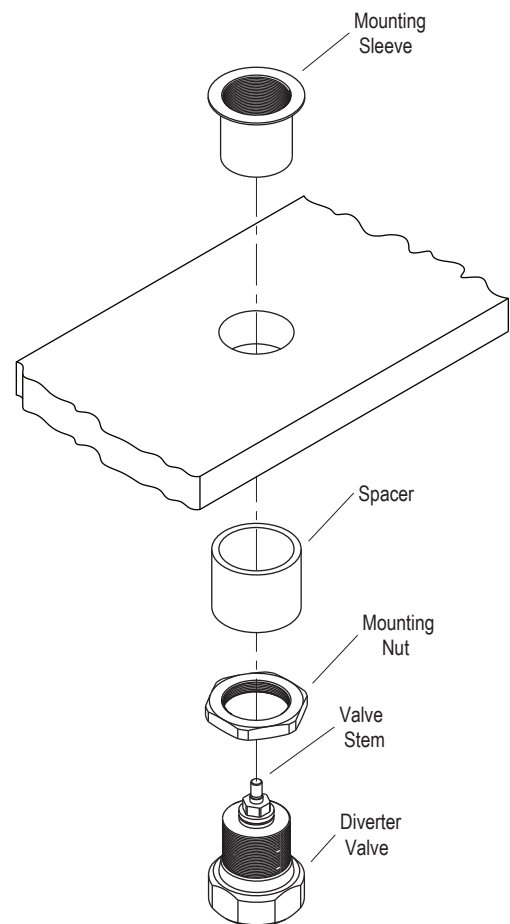
## INSTALLATION INSTRUCTIONS

### 3. PREPARATION

- Determine the location of the diverter valve and mark the center of the valve.
- Drill a 2" dia hole at the marked location.
- Measure the thickness of the mounting surface and refer to the rough-in diagram to determine if the spacer is required and whether it needs to be cut to size. If no spacer is required, proceed to section 4.
- To determine the thickness to cut the spacer, subtract the thickness of the mounting surface from 2-3/8". Mark this distance on the spacer and cut to size.

### 4. INSTALL THE DIVERTER

- Insert the mounting sleeve through the deck/rim.
- Thread the mounting nut all the way down onto the diverter valve.
- Slide the spacer (if required) over the diverter valve and down to the mounting nut.
- Thread the diverter valve into the mounting sleeve from under the deck/rim until the top of the valve stem is 5/16" below the top of the deck/rim.
- Align the inlets and outlets.
- Hand tighten the mounting nut.
- Verify the location of the components and the orientation of all ports.



### 5. COMPLETE THE DIVERTER INSTALLATION

- Dry fit all piping and connectors. Any unused ports should be looped to a used port line, as shown in the rough-in diagram.
- Solder piping and connectors.
- Connect the mixed water supply to the diverter.

**INSTALLATION INSTRUCTIONS****6. INSTALLATION CHECKOUT**

- Complete the installation of the valve, valve trim and any other components according to the instructions packed with the product.
- Ensure all connections are tight.
- Open the drain.
- Turn on the main water supply and check for leaks. Repair as needed.
- Open both hot and cold valves and run water through the spout (if installed) to remove debris. Check for leaks.
- Confirm proper diverter operation.
- Turn the valves to the closed position.