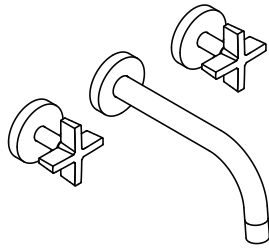
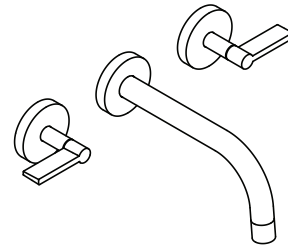


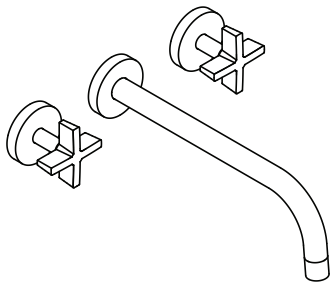
INSTALLATION INSTRUCTIONS



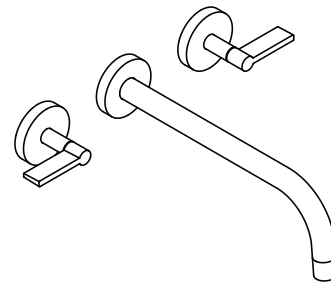
P24410-CR



P24410-LV



P24411-CR



P24411-LV

INSTALLATION INSTRUCTIONS

THANK YOU FOR CHOOSING KALLISTA

We appreciate your commitment to KALLISTA quality products. Please take a moment to review this manual before you install your KALLISTA product. If you encounter any installation or performance problems, please do not hesitate to contact us at the phone number listed at the bottom of the page.

TOOLS



Phillips
Screwdriver



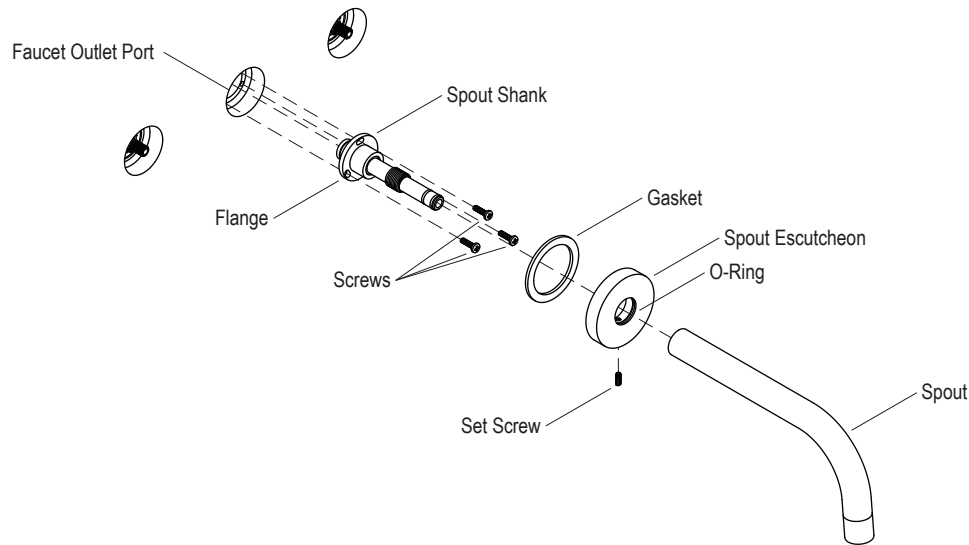
Hex
Wrench

IMPORTANT INFORMATION

- Shut off the main water supply.
- Observe all local plumbing and building codes.
- If needed, complete the finished wall before beginning this installation.
- KALLISTA reserves the right to make revisions in the design of products without notice, as specified in the Price Book.

INSTALLATION INSTRUCTIONS

INSTALLATION



Install the Spout

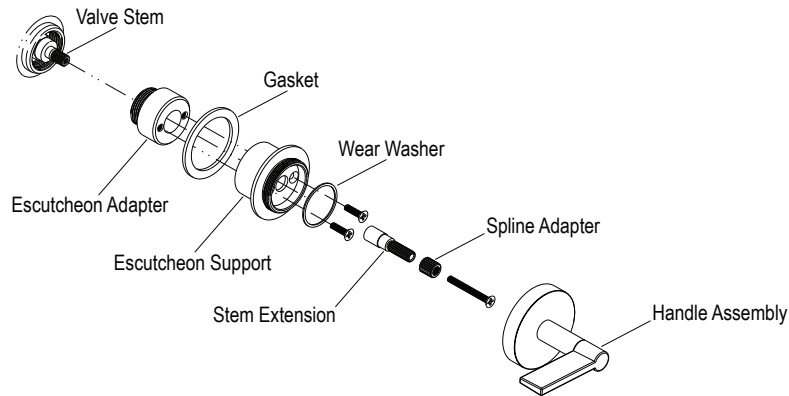
IMPORTANT! Use care when installing the spout to avoid scratching the finish.

- Insert the gasket into the back of the spout escutcheon.
- Confirm that the O-ring is inside the escutcheon.
- Carefully slide the spout escutcheon onto the spout about halfway.
- Thread the spout into the spout shank until it is snug. If needed, adjust the spout slightly to position it so it points straight down.
- Secure the spout in place by mounting the flange to the faucet outlet port with the screws provided.
- Carefully slide the spout escutcheon and press firmly against the finished wall.
- Secure the spout escutcheon to the spout with the set screw.

INSTALLATION INSTRUCTIONS

INSTALLATION

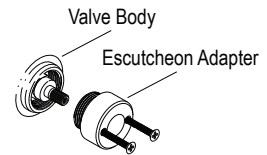
Install the Handle Assemblies



- Unscrew the escutcheon support from the handle assembly. Remove the two screws connecting the escutcheon adapter and escutcheon support and separate the parts.

Note: Be sure to retain the wear washer when removing the screws. Replace before installing handle assembly.

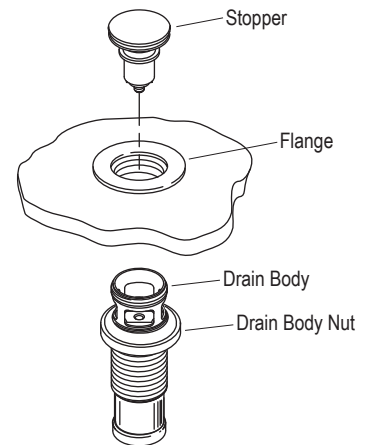
- With 8-32 x 1-1/2" flat head screws included in the parts bag, turn the screws into the escutcheon adapter about a 1/4". Tighten the escutcheon adapter to the valve body. Do not overtighten or bend the screws. Perform this operation for both hot and cold valves. Remove screws for next operation.

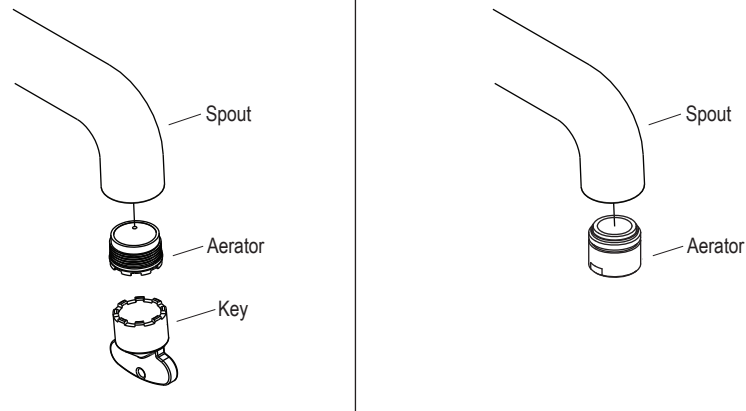


- Slide a spline adapter onto the stem extension.
- Place a stem extension on the valve stem. Secure with the screw provided.
- Place the escutcheon support onto the escutcheon adapter and line up screw holes. Ensure the gasket is installed between the finished wall and the escutcheon support. Thread two 8-32 x 7/8" screws and tighten until the escutcheon support is flush with the finished wall. If the screws bottom out in the escutcheon adapter and the escutcheon support is not tight against the finished wall, use the 8-32 x 1/2" screws.
- Thread a handle assembly onto the escutcheon support and move the handle to the closed position (Hot = Clockwise, Cold = Counterclockwise). Lever handles should be horizontal when closed.
- If adjustment is needed to achieve the desired handle alignment, remove the handle assembly, screw and spline adapter. Turn the spline adapter 1/4 turn. Check the handle position. Repeat the procedure until the proper handle position is achieved. Secure with the screw.
- Re-assemble the handle assembly onto the escutcheon support. To maintain the proper handle alignment, hold the handle in place with one hand and turn the base of the handle with the other hand.
- Repeat the procedures with the second handle.

INSTALLATION INSTRUCTIONS**INSTALLATION****Install the Drain**

- Disassemble the stopper and flange from the drain body.
- Apply a small bead of putty or sealant to the bottom of the flange. Insert the flange into the drain opening. Ensure the gasket is inside the flange.
- From the underside of the lavatory thread the drain body onto the flange assembly. Tighten firmly.
- Install the stopper and tighten firmly.
- Turn the drain body such that the word KALLISTA on the stopper is straight. Tighten the drain body nut firmly while holding the drain body to maintain the stopper position.
- Using a damp cloth, remove any excess putty or sealant.
- Connect the trap.



INSTALLATION INSTRUCTIONS**INSTALLATION****Complete the Installation**

- Connect the tailpiece and P-trap (not supplied).
- Ensure that all connections are watertight.
- Remove the aerator by turning it counterclockwise. Use the supplied key if required for removal of your aerator.
- Open the drain. Turn on the main water supply and check for leaks. Repair as needed.
- Open both hot and cold valves and run water through the spout for one minute to remove debris. Check for leaks in the flexible hose connections. Turn valves off.
- Re-install the aerator.
- Retain the key for future use.