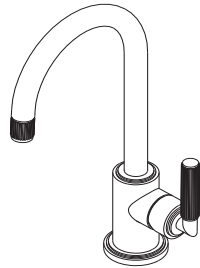


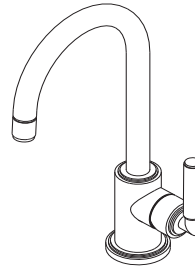
KALLISTA®

Single Control Entertainment Faucet

INSTALLATION INSTRUCTIONS



P23066



P23072

INSTALLATION INSTRUCTIONS

THANK YOU FOR CHOOSING KALLISTA

We appreciate your commitment to Kallista quality products. Please take a moment to review this manual before you install your Kallista product. If you encounter any installation or performance problems, please do not hesitate to contact us at the phone number listed at the bottom of the page.

BEFORE YOU BEGIN

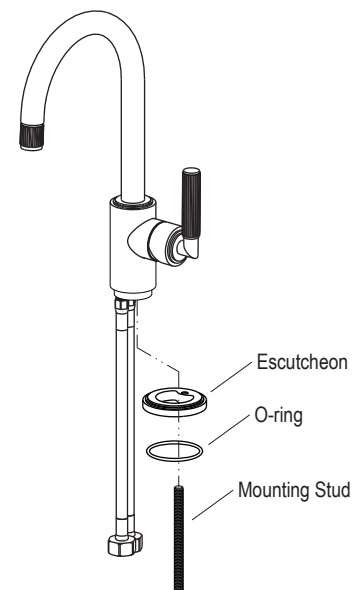
- Observe all local plumbing and building codes.
- Prior to installation, unpack the faucet and inspect it for damage. If the product is damaged, please contact Kallista immediately at the phone number listed at the bottom of the page.
- Shut off the main water supply.
- If possible, install the faucet to the sink before installing the sink.
- Kallista reserves the right to make revisions in the design of products without notice, as specified in the Price Book

TOOLS AND MATERIALS



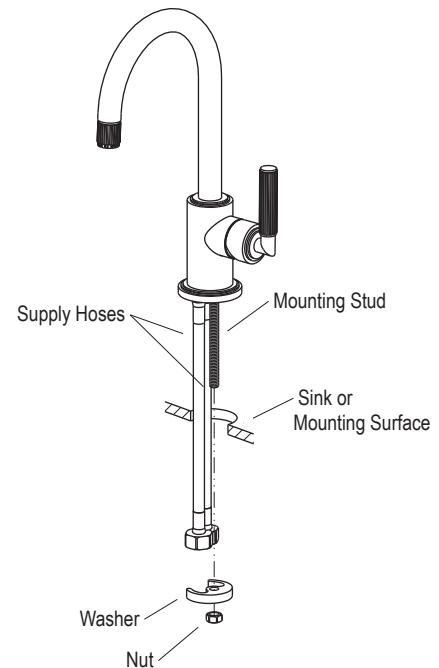
1. INSTALL HOSES INTO THE FAUCET

- Ensure that O-ring is installed in bottom of escutcheon.
- Feed the hoses through the escutcheon one at a time.
- Install escutcheon onto bottom of faucet.
- Install the mounting stud into the bottom of the faucet.

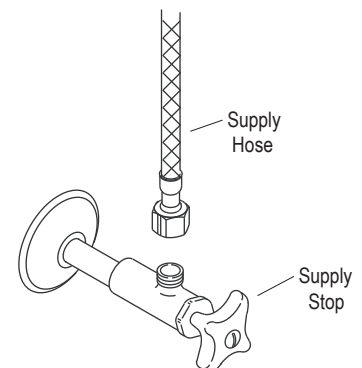


INSTALLATION INSTRUCTIONS**2. INSTALL THE FAUCET**

- Feed the supply hoses and stud through faucet hole of the sink or mounting surface.
- Slide the washer over the mounting stud and secure the faucet to the sink or mounting surface by threading the nut onto the mounting stud.

**3. CONNECT THE SUPPLIES**

- If the sink is not installed, install it at this time. Follow the sink manufacturer's instructions.
- Connect the supply hoses to the supply stops. (Left is hot - right is cold.)
- Wrench-tighten all connections.



INSTALLATION INSTRUCTIONS**4. COMPLETE INSTALLATION**

- Remove the aerator assembly by turning it counterclockwise.
- Turn on the main water supply and check for leaks. Repair as needed.
- Open both hot and cold valves and run water through the spout for one minute to remove debris.
- Check for leaks in the flexible hose connections.
- Turn valves off.
- Re-install the aerator assembly.

