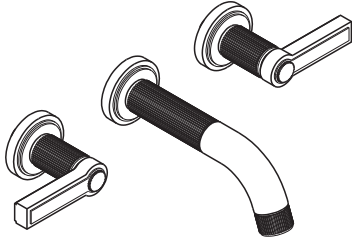
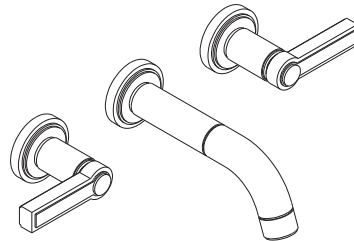


### INSTALLATION INSTRUCTIONS



**P24200**



**P24201**

## INSTALLATION INSTRUCTIONS

### THANK YOU FOR CHOOSING KALLISTA

We appreciate your commitment to Kallista quality products. Please take a moment to review this manual before you install your Kallista product. If you encounter any installation or performance problems, please do not hesitate to contact us at the phone number listed at the bottom of the page.

### BEFORE YOU BEGIN



**CAUTION: Risk of property damage. Do not use plumbers putty on marble or plastic, as it may stain the surface.**

NOTE: Follow the installation dimensions precisely as there is no deep rough-in kit available for this product.

- Shut off the main water supply.
- Observe all local plumbing and building codes.
- Give special consideration to the exact location desired for your faucet. This product is designed to give you the opportunity to be creative and flexible with the installation.
- If needed, complete the finished wall before beginning this installation.
- Kallista reserves the right to make revisions in the design of products without notice, as specified in the Price Book.

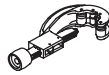
### TOOLS AND MATERIALS



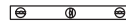
Pencil



Tape Measure



Tube Cutter



Level



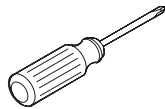
Solder



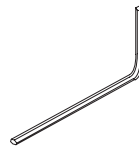
#10 x 1"  
Woodscrews



Adjustable  
Wrench



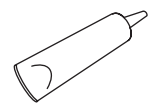
Screwdriver



Hex Wrench  
(Included)



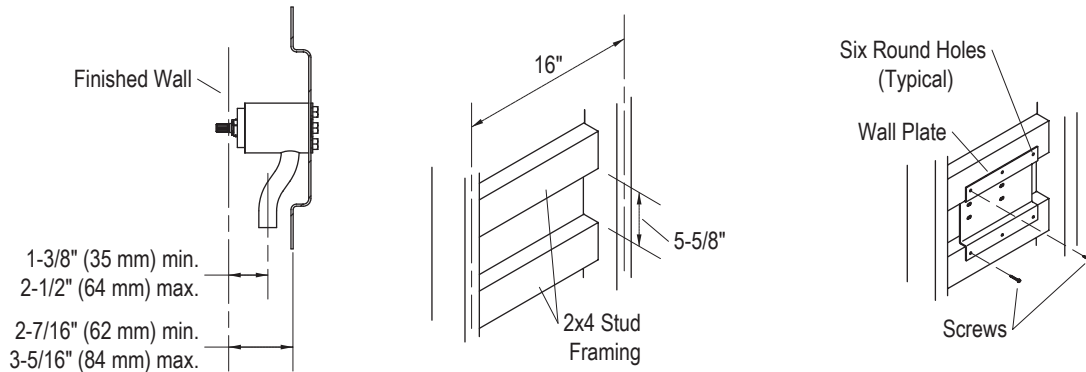
Propane  
Torch



Sealant

## INSTALLATION INSTRUCTIONS

### 1. PREPARE THE SITE

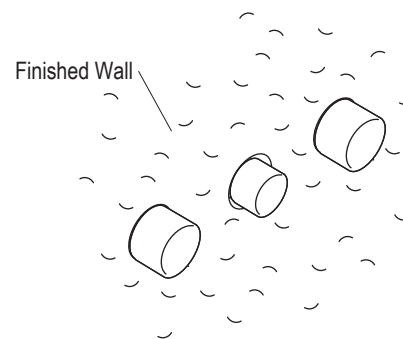
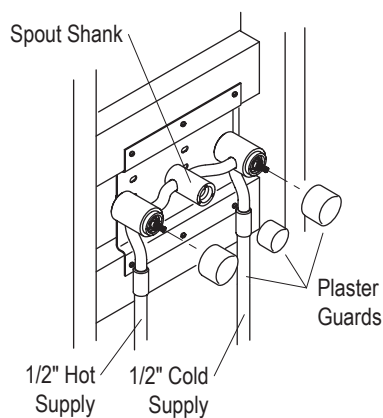


- Determine desired location for spout.
- Refer to the product specification sheet dimensions for mounting information.
- A suggested framing example is shown. Each installation may have different framing requirements than those shown.
- Construct the framing for your installation.

### 2. ATTACH THE WALL PLATE

- Loosely attach the wall plate to the stud framing with six #10 x 1" panhead wood screws (not provided).
- Verify that the installation is correct and level and firmly secure the wall plate to the studs.

### 3. INSTALL THE SUPPLIES



## INSTALLATION INSTRUCTIONS

### 3. INSTALL THE SUPPLIES (CONT'D.)

- Install 1/2" hot and cold supply piping to the mixer valve.
- Temporarily pull the plaster guards from the handle and spout shanks. Do not discard them at this time.
- Position a bucket in front of the spout shank, and turn on the water supplies to the mixer valve.
- Slowly open the mixer valve stems, and allow the hot and cold water to flow from the spout shank for about a minute.
- Close the valve, and carefully inspect all connections for leakage. Repair if necessary.
- Turn off the water supplies. Open the valve stems to relieve the water pressure.
- Reattach the plaster guards to the handle and spout shanks.

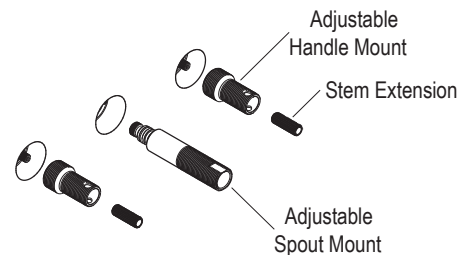
### 4. FINISH THE WALL

NOTE: To ensure proper fit and appearance, do not oversize the spout and handle shank holes.

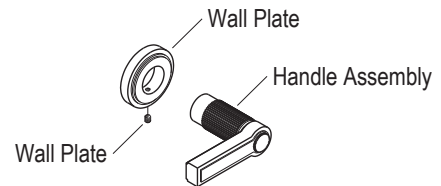
- Complete the finished wall with three 1-1/2" (38 mm) diameter holes for the spout and handle shanks. Space the hole centers 4" apart.
- Remove and discard the plaster guards when the finished wall is complete.

### 5. BASIN SET ASSEMBLY

- Install both adjustable handle mounts to the valve. Tighten by passing a screwdriver through the hole and rotating the screwdriver.
- Engage the internal spline in the stem extension with the valve stem spline.
- Install the adjustable spout mount to the valve, using an adjustable wrench to tighten.



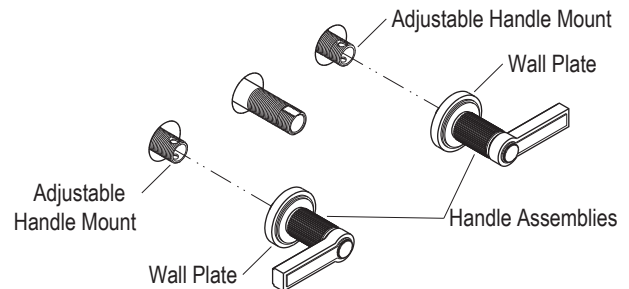
- Use the provided hex wrench to loosely install the wall plate on each handle assembly. Tighten the set screw just enough to keep the wall plate from falling off.



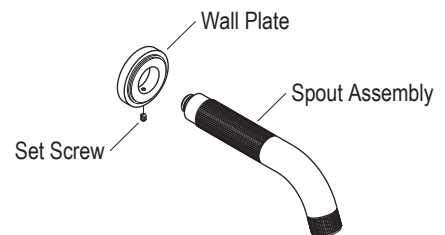
## INSTALLATION INSTRUCTIONS

### 5. BASIN SET ASSEMBLY (CONT'D.)

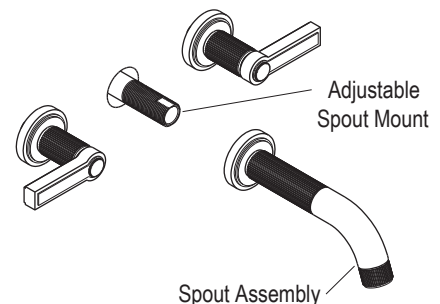
- ❑ Install both handle assemblies by holding the handle with one hand and screwing the remainder of the handle assembly onto the adjustable handle mount until the wall plate is flush with the wall.
- ❑ Position the holes for the set screws facing downward and tighten the set screws on the wall plates with the provided allen wrench.



- ❑ Install the wall plate on the spout assembly. Tighten the set screw just enough to keep it from falling off.



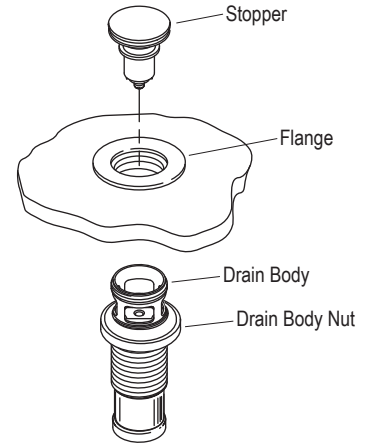
- ❑ Screw the spout assembly onto the adjustable spout mount until the wall plate becomes flush with the wall and the output is facing down.
- ❑ Position the hole for the set screw facing downward and tighten the set screw on the wall plate with the provided allen wrench.



## INSTALLATION INSTRUCTIONS

### 6. DRAIN INSTALLATION

- Disassemble the stopper and flange from the drain body.
- Apply a small bead of putty or sealant to the bottom of the flange. Insert the flange into the drain opening. Ensure the gasket is inside the flange.
- From the underside of the lavatory thread the drain body onto the flange assembly. Tighten firmly.
- Install the stopper and tighten firmly.
- Turn the drain body such that the word KALLISTA on the stopper is straight. Tighten the drain body nut firmly while holding the drain body to maintain the stopper position.
- Using a damp cloth, remove any excess putty or sealant.
- Connect the trap.



### 7. INSTALLATION COMPLETION

- Ensure that both faucet handles are turned off (hot - clockwise to close, cold - counterclockwise to close).
- Turn on the main water supply, and check for leaks. Repair as required.
- Remove the trim ring/aerator assembly. Turn on both hot and cold valves, and run water through the spout for about a minute to remove any debris. Check for leaks.
- Turn off both hot and cold valves. Reinstall the trim ring/aerator assembly.

