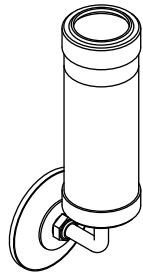


# Installation Guide

## Wall Sconce

P31221-00



KALLISTA.

1020039-2-B

## Thank You For Choosing Kallista

We appreciate your commitment to KALLISTA quality products. Please take a moment to review this manual before you install your KALLISTA product. If you encounter any installation or performance problems, please do not hesitate to contact us at the phone number listed on the back cover.

## Tools and Materials



Electrical  
Tape



Blade  
Screwdriver



E12 Candelabra  
Base Bulb  
(60 W Maximum)

## Before You Begin



**WARNING: Risk of personal injury.** To avoid possible electrical shock, the electricity must be turned off at the circuit breaker or fuse box before attempting any installation procedure.



**WARNING: Risk of personal injury.** To avoid possible electrical shock, the outlet box must be properly grounded.

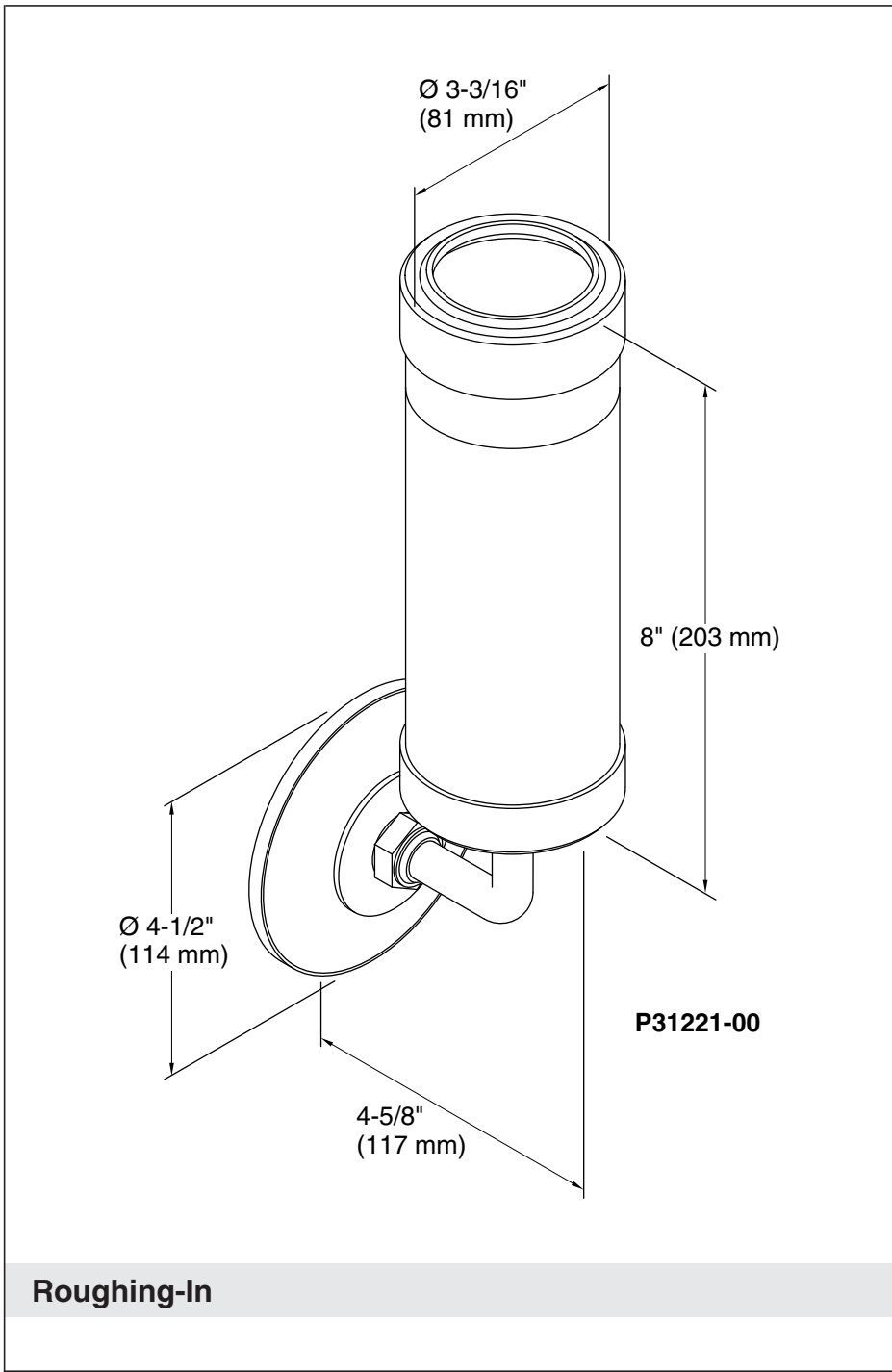


**WARNING: Risk of property damage.** To avoid possible risk of fire, this fixture has been rated for bulbs up to 60 W. Do not exceed this rating.

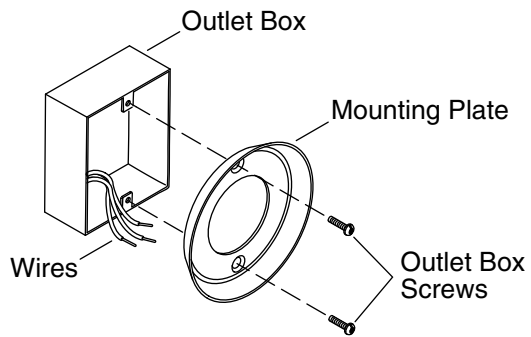
- Observe all local electrical codes and building codes.
- Carefully inspect the fixture for damage.
- It is strongly recommended that a professional electrician install the fixture.
- It is recommended that the mounting plate for the wall sconce be located onto a wall stud.
- This fixture is for indoor use only.

**Before You Begin (cont.)**

- Kallista reserves the right to make revisions in the design of products without notice, as specified in the Price Book.



**Roughing-In**

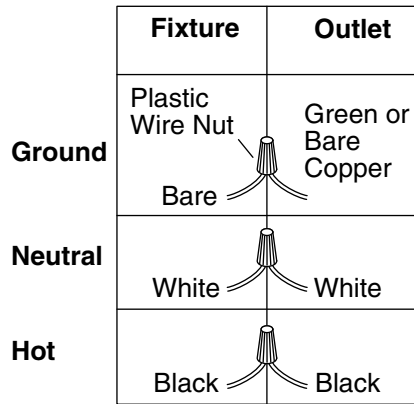


## 1. Install the Wall Plate



**WARNING: Risk of personal injury.** To avoid possible electrical shock, the electricity must be turned off at the circuit breaker or fuse box before attempting any installation procedure.

- Carefully pull the wiring out from the outlet box and allow the wires to hang down.
- Place the flanged side of the mounting plate toward you, as shown.
- Align the mounting holes on the mounting plate with the holes on the outlet box.
- Securely tighten the mounting plate to the outlet box with the outlet box screws.

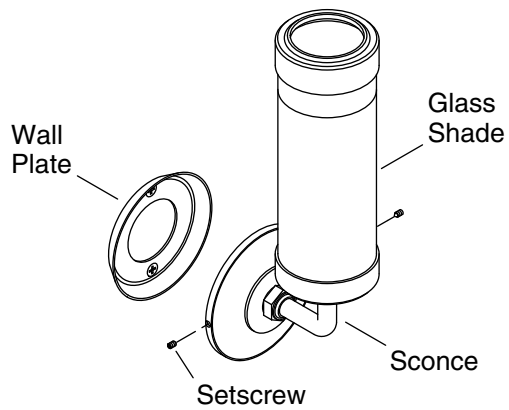


## 2. Connect the Electrical Wires



**WARNING: Risk of personal injury.** To avoid possible electrical shock, the outlet box must be properly grounded.

- Attach the bare copper ground wire from the fixture to the ground wire (green or bare wire) of the outlet box.
- Fasten the ground wires together with a plastic wire nut and wrap with electrical tape.
- Attach the neutral wire (white) from the fixture to the neutral wire (usually white) of the outlet box.
- Fasten the neutral wires together with a plastic wire nut and wrap with electrical tape.
- Attach the hot wire (black) from the fixture to the hot wire (usually black) of the outlet box.
- Fasten the hot wires together with a plastic wire nut and wrap with electrical tape.
- Verify all plastic wire nuts are securely fastened and wire strands are not exposed.
- Carefully place the wire connections neatly into the outlet box.
- Position the back plate of the fixture over the mounting plate.
- Carefully place the wire connections neatly behind the back plate.



### 3. Install the Wall Sconce

- Secure the sconce to the wall plate with the setscrews. The sconce must be flush against the finished wall.
- Insert an E12 candelabra base bulb (60 W maximum) into the fixture.
- Position the glass shade on the threaded socket of the sconce.
- Turn on the main electrical supply from the main fuse or circuit breaker.
- Check for proper operation.

USA/Canada: 1-888-4-KALLISTA

Fax: 1-888-272-3094

[kallista.com](http://kallista.com)

**KALLISTA**

©2012 KALLISTA

1020039-2-B