



CITÉ surfer®

KF1117

Single Handle Kitchen Faucet

SPECIFICATIONS

**Features**

- Solid brass construction
- Ceramic cartridge
- Ergonomic pull-out spray  
2 modes spray; regular stream and spray
- 3/8" Stainless Steel braided flexible supplies
- 360° swivel spout
- High quality 60" nylon hose with ball joint
- Single hole installation
- Integral check valves
- Quick installation system

**Colors (Finishes)**

- Chrome: KF1117-110
- Stainless Steel PVD\*: KF1117-130

**Packaging**

- Dimensions: 645mm x 420mm x 90mm  
(25 3/8" x 16 5/8" x 3 1/2")
- Volume: 0.85 cu ft (0.024 cu m)
- Total weight: 7.5 lb (3.4 kg)

**Maximum flow rate**

- 8.3 liters/min. (2.2 gallons/min.)



**Certifications**

The specified model meets or exceeds the following standards;

- ASME A112.18.1 / CSA B125.1 
- ADA 
- NSF 61 

\* PVD finish: Physical Vapour Deposit

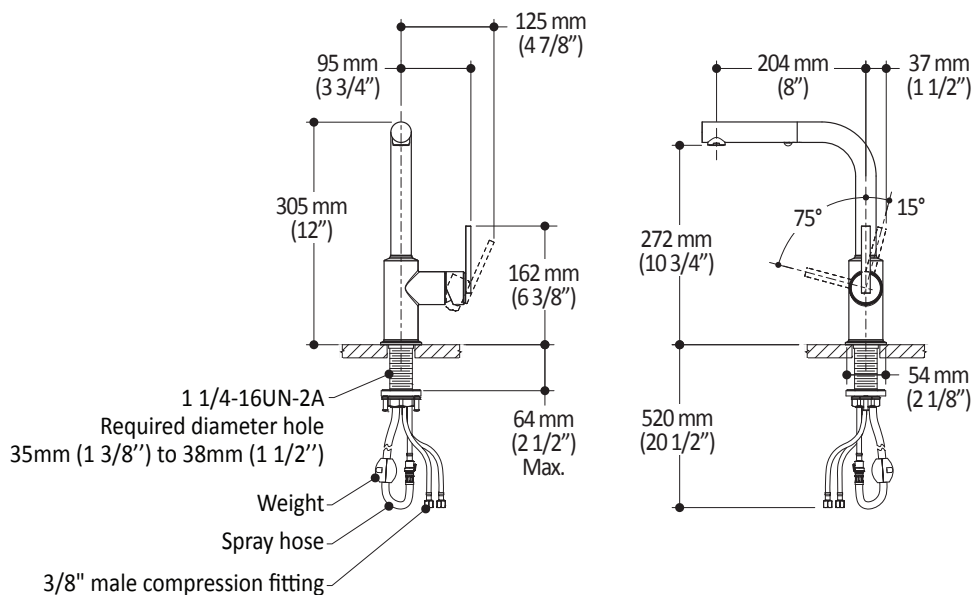
**Installation Notes**

This product must be installed following the installation instructions provided.

**WARRANTY**

Kalia Inc. guarantees all aspects of its products to be free of defects in material and workmanship for normal residential use. **Refer to the warranty included with the Kalia products for details.**

Product dimensions:



**Important:** Dimensions are approximated and are subject to changes. Please refer to the installation instructions.

**Kalia inc.**

1355, 2nd Street  
Sainte-Marie (Quebec)  
Canada G6E 1G9

Tel.: 1-418-387-9090  
1 877 GO KALIA (1-877-465-2542)

Fax: 1-418-387-9089  
www.kaliastyle.com