



CITÉ diver®

KF1115

Single Handle Kitchen Faucet

SPECIFICATIONS

Features

- Solid brass construction
- Ceramic cartridge
- Ergonomic pull-down spray
2 modes spray; regular stream and spray
- 3/8" Stainless Steel braided flexible supplies
- 360° swivel spout
- High quality 60" nylon hose with ball joint
- Single hole installation
- Integral check valves
- Quick installation system

Colors (Finishes)

- Chrome: KF1115-110
- Stainless Steel PVD*: KF1115-130

Packaging

- Dimensions: 645mm x 420mm x 90mm
(25 3/8" x 16 5/8" x 3 1/2")
- Volume: 0.85 cu ft (0.024 cu m)
- Total weight: 7.7 lb (3.5 kg)

Maximum flow rate

- 8.3 liters/min. (2.2 gallons/min.)



Certifications

The specified model meets or exceeds the following standards;

- ASME A112.18.1 / CSA B125.1 
- ADA 
- NSF 61

* PVD finish: Physical Vapour Deposit

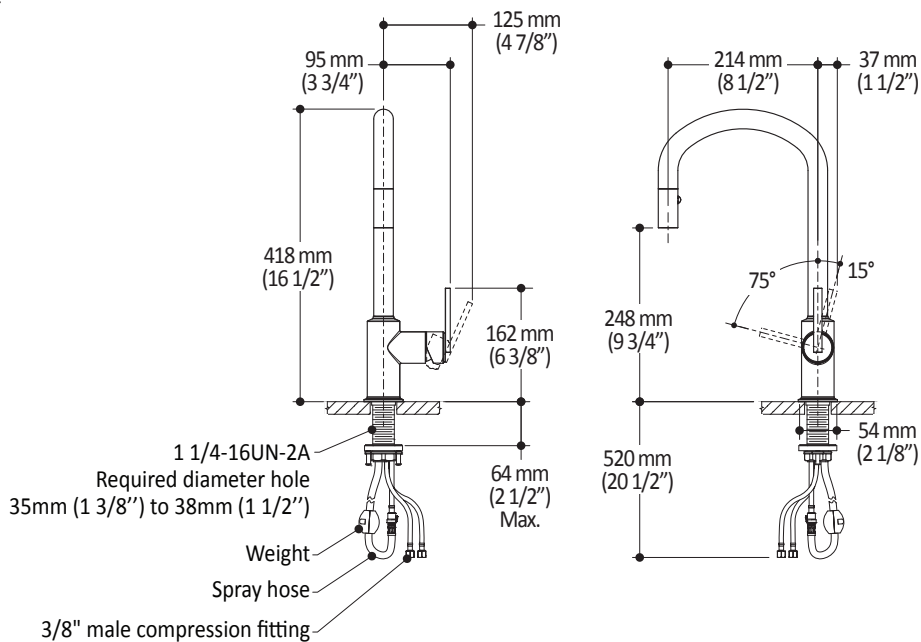
Installation Notes

This product must be installed following the installation instructions provided.

WARRANTY

Kalia Inc. guarantees all aspects of its products to be free of defects in material and workmanship for normal residential use. **Refer to the warranty included with the Kalia products for details.**

Product dimensions:



Important: Dimensions are approximated and are subject to changes. Please refer to the installation instructions.

Kalia inc.
 1355, 2nd Street
 Sainte-Marie (Quebec)
 Canada G6E 1G9

Tel.: 1-418-387-9090
 1 877 GO KALIA (1-877-465-2542)
 Fax: 1-418-387-9089
 www.kaliastyle.com