



RUSTIK™

BF1486

4-Piece Deckmount Tub Filler With Handshower

SPECIFICATIONS

Features

- Solid brass construction
- Recessed adjustable aeration
- Solid brass flexible 60" hose
- Ceramic disc valve cartridge

Colors (Finishes)

- Chrome : BF1486-110

Packaging

- **Dimensions:**
440mm x 312mm x 108mm
(17 3/4" x 12 1/4" x 4 1/4")
- **Volume:** 0.534 cu ft (0.0148 cu m)
- **Total weight:** 10.75 lb (4.88 kg)



Certifications

The specified model meets or exceeds the following standards;

- ASME A112.18.1 / CSA B125.1
- UPC



Minimum flow rate

- 33 liters/min. (8.7 gallons/min.)

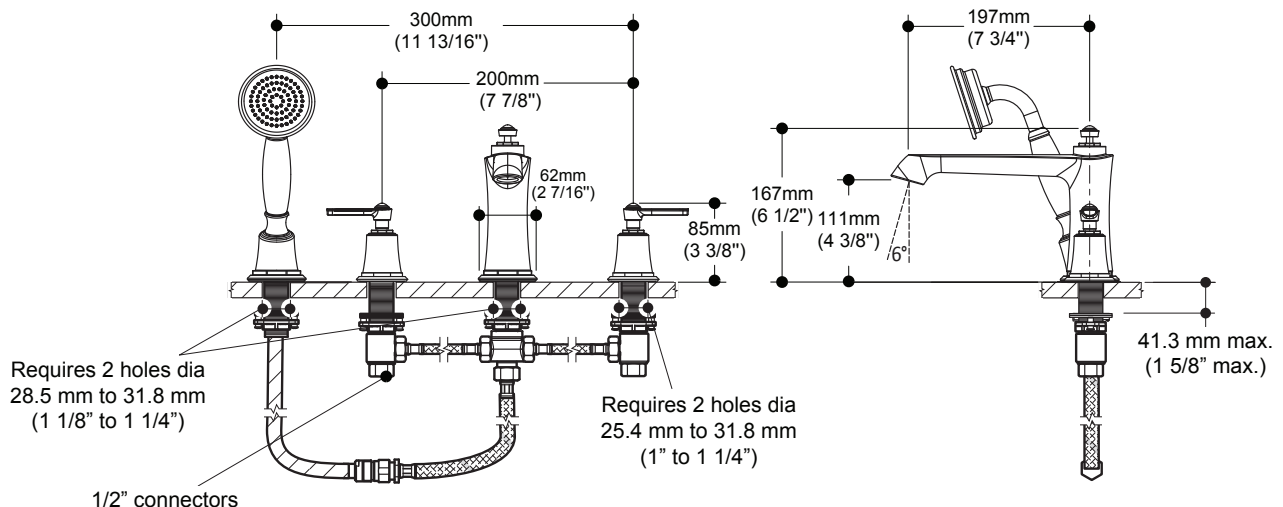
Installation Notes

This product must be installed following the installation instructions provided.

WARRANTY

Kalia Inc. guarantees all aspects of its products to be free of defects in material and workmanship for normal residential use. **Refer to the warranty included with the Kalia products for details.**

Product dimensions:



Important: Dimensions are approximated and are subject to changes. Please refer to the installation instructions.

Kalia inc.
1355, 2nd Street
Sainte-Marie (Quebec)
Canada G6E 1G9

t. 1-418-387-9090
1 877 GO KALIA (1-877-465-2542)
f. 1-418-387-9089
www.KaliaStyle.com