

**Components included**

- BF1385-XXX \* : Rainhead and 90° wallarm
- 102863-XXX \* : 2-jet handshower
- 101328-XXX \* : Wallbar
- 101620-XXX \* : 60'' flexible and soft PVC hose
- BF1122-XXX \* : 1/2'' Volume control valve and decorative trim
- BF1118-XXX \* : 1/2'' Thermostatic valve and decorative trim
- 101237-XXX \* : Wall outlet with volume control

*\* XXX means that the finish color must be specified.*

**Colors (Finishes)**

- Chrome : BF1179-**110**
- Brushed Nickel PVD : BF1179-**120**

**Certifications**

*The specified model meets or exceeds the following standards;*

- ASME A112.18.1 / CSA B125.1



See the following sheets for the technical features of each component.

**Installation Notes**

This product must be installed following the installation instructions provided.

**WARRANTY**

Kalia Inc. guarantees all aspects of its products to be free of defects in material and workmanship for normal residential use. **Refer to the warranty included with the Kalia products for details.**



# BF1385

## PREMIA: Rainhead and 90° Wallarm

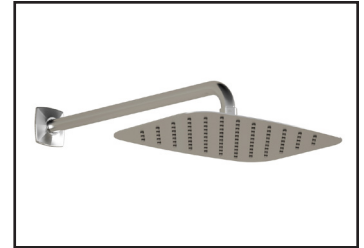
### SPECIFICATIONS

#### Features

- Water 1/2" male inlet NPT
- Dimensions: 200 x 298mm (7 7/8" x 11 3/4")
- Anti-scale system with soft sprays
- Adjustable orientation swivel
- PVD finish (Physical Vapour Deposit): A high technology process that protects the surface finish for increased durability

#### Packaging

- **Dimensions:** 406mm x 324mm x 133mm (16" x 12 3/4" x 5 1/4")
- **Volume:** 0.62 cu ft (0.018 cu m)
- **Total weight:** 3.80 lb (1.725 kg)



#### Maximum flow rate

- 9.5 liters/min. (2.5 gallons/min.) at 80 psi

#### Colors (Finishes)

- Chrome : BF1385-110
- Brushed Nickel PVD : BF1385-120

#### Certifications

The specified model meets or exceeds the following standards;

- ASME A112.18.1 / CSA B125.1



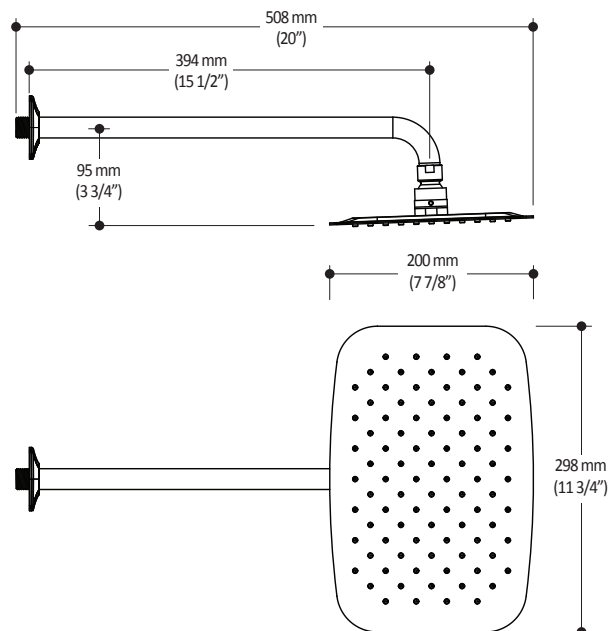
#### Installation Notes

This product must be installed following the installation instructions provided.

#### WARRANTY

Kalia Inc. guarantees all aspects of its products to be free of defects in material and workmanship for normal residential use. **Refer to the warranty included with the Kalia products for details.**

Product dimensions:



**Important:** Dimensions are approximated and are subject to changes. Please refer to the installation instructions.

**Kalia inc.**  
1355, 2nd Street  
Sainte-Marie (Quebec)  
Canada G6E 1G9

t. 1-418-387-9090  
1 877 GO KALIA (1-877-465-2542)  
f. 1-418-387-9089  
www.KaliaStyle.com



**102863**

**PREMIA: 2-Jet Handshower**

**SPECIFICATIONS**

### Features

- Dimension: 86mm (3 3/8")
- Anti-scale system with soft sprays
- Water G1/2 male inlet
- 2 direct positions and 1 shared position
- PVD finish (Physical Vapour Deposit): A high technology process that protects the surface finish for increased durability

### Packaging

- **Dimensions:** 305mm x 117mm x 92mm (12" x 4 5/8" x 3 5/8")
- **Volume:** 0.12 cu ft (0.003 cu m)
- **Total weight:** 0.57 lb (0.26 kg)

### Maximum flow rate

- 9.5 liters/min. (2.5 gallons/min.) at 80 psi



### Colors (Finishes)

- Chrome : 102863-110
- Brushed Nickel PVD : 102863-120

### Certifications

The specified model meets or exceeds the following standards;

- ASME A112.18.1 / CSA B125.1



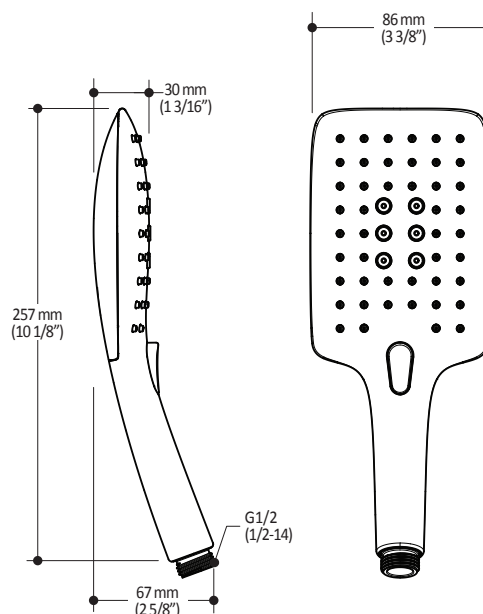
### Installation Notes

This product must be installed following the installation instructions provided.

### WARRANTY

Kalia Inc. guarantees all aspects of its products to be free of defects in material and workmanship for normal residential use. **Refer to the warranty included with the Kalia products for details.**

Product dimensions:



**Important:** Dimensions are approximated and are subject to changes. Please refer to the installation instructions.

**Kalia inc.**  
1355, 2nd Street  
Sainte-Marie (Quebec)  
Canada G6E 1G9

t. 1-418-387-9090  
1 877 GO KALIA (1-877-465-2542)  
f. 1-418-387-9089  
www.KaliaStyle.com

**Features**

- No visible screw
- Water 1/2" female inlet NPT threaded
- Solid brass construction
- PVD finish (Physical Vapour Deposit): A high technology process that protects the surface finish for increased durability

**Colors (Finishes)**

- Chrome : BF1122-110
- Brushed Nickel PVD : BF1122-120

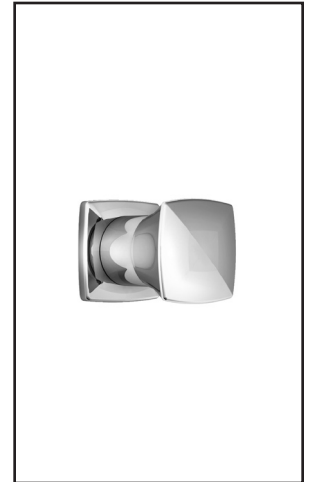
**Certifications**

The specified model meets or exceeds the following standards;

- ASME A112.18.1 / CSA B125.1

**Packaging**

- **Dimensions:** 305mm x 117mm x 92mm (12" x 4 5/8" x 3 5/8")
- **Volume:** 0.12 cu ft (0.003 cu m)
- **Total weight:** 2.09 lb (0.95 kg)

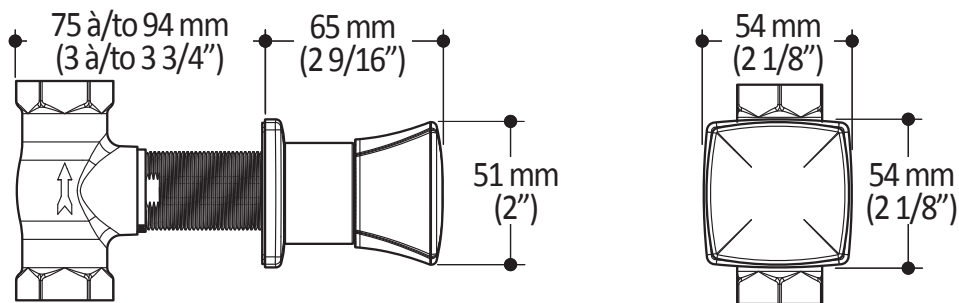
**Installation Notes**

This product must be installed following the installation instructions provided.

**WARRANTY**

Kalia Inc. guarantees all aspects of its products to be free of defects in material and workmanship for normal residential use. **Refer to the warranty included with the Kalia products for details.**

Product dimensions:



**Important:** Dimensions are approximated and are subject to changes. Please refer to the installation instructions.

**Kalia inc.**  
1355, 2nd Street  
Sainte-Marie (Quebec)  
Canada G6E 1G9

t. 1-418-387-9090  
1 877 GO KALIA (1-877-465-2542)  
f. 1-418-387-9089  
www.KaliaStyle.com



**Features**

- No visible screw
- Water 1/2" male inlet NPT threaded or welded
- Shut-off valves included
- Solid brass construction
- Total adjustment of 19mm (3/4")
- Included support for better stability during installation
- PVD finish (Physical Vapour Deposit): A high technology process that protects the surface finish for increased durability

**Colors (Finishes)**

- Chrome : BF1118-110
- Brushed Nickel PVD : BF1118-120

**Certifications**

The specified model meets or exceeds the following standards;

- ASME A112.18.1 / CSA B125.1

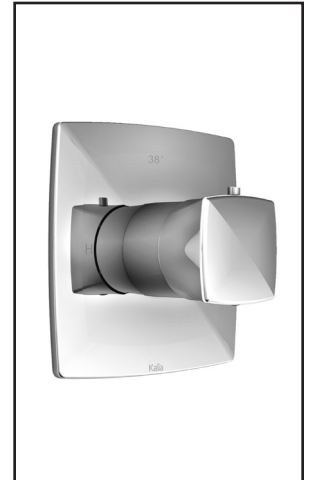


**Packaging**

- **Dimensions:** 362mm x 184mm x 191mm (14 1/4" x 7 1/4" x 7 1/2")
- **Volume:** 0.45 cu ft (0.013 cu m)
- **Total weight:** 4.59 lb (2.08 kg)

**Maximum flow rate**

- 40 liters/min. (10.56 gallons/min.) at 60 psi



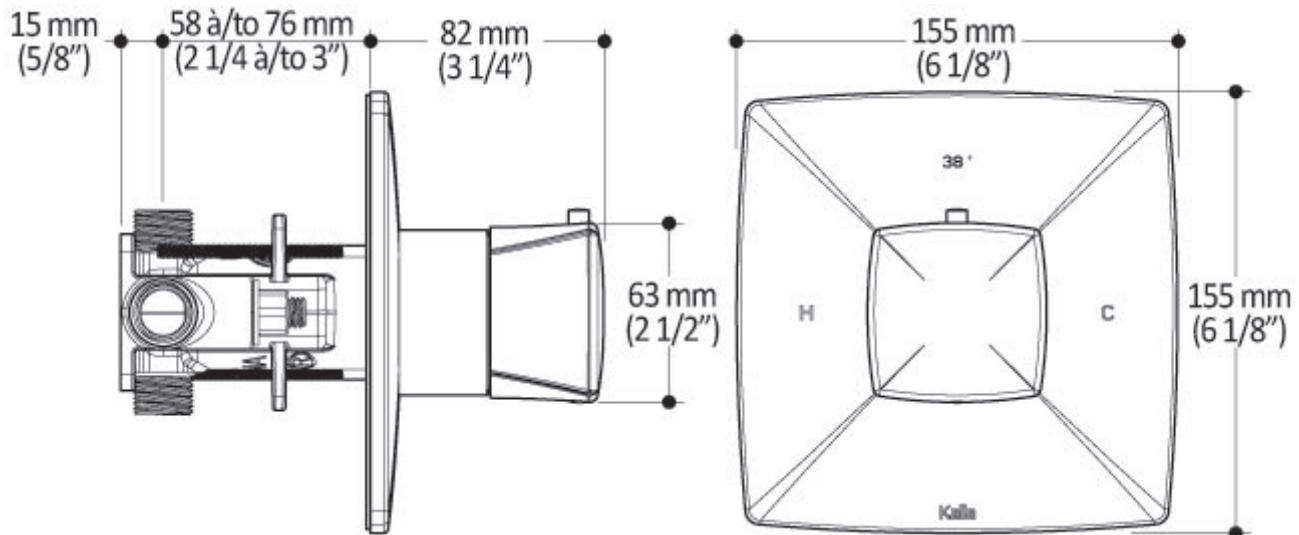
**Installation Notes**

This product must be installed following the installation instructions provided.

**WARRANTY**

Kalia Inc. guarantees all aspects of its products to be free of defects in material and workmanship for normal residential use. **Refer to the warranty included with the Kalia products for details.**

Product dimensions:



**Important:** Dimensions are approximated and are subject to changes. Please refer to the installation instructions.

**Kalia inc.**  
1355, 2nd Street  
Sainte-Marie (Quebec)  
Canada G6E 1G9

t. 1-418-387-9090  
1 877 GO KALIA (1-877-465-2542)  
f. 1-418-387-9089  
www.KaliaStyle.com



UMANI™

101237

Wall Outlet with Volume Control

**SPECIFICATIONS**

### Features

- Water 1/2" female inlet NPT
- Water G1/2 male outlet
- Cartridge 3/4 with ceramic disc
- Solid brass construction
- Check valve included
- PVD finish (Physical Vapour Deposit): A high technology process that protects the surface finish for increased durability

### Packaging

- **Dimensions:** 305mm x 117mm x 92mm (12" x 4 5/8" x 3 5/8")
- **Volume:** 0.12 cu ft (0.003 cu m)
- **Total weight:** 0.75 lb (0.34 kg)



### Colors (Finishes)

- Chrome : 101237-110
- Brushed Nickel PVD : 101237-120

### Certifications

The specified model meets or exceeds the following standards;

- ASME A112.18.1 / CSA B125.1



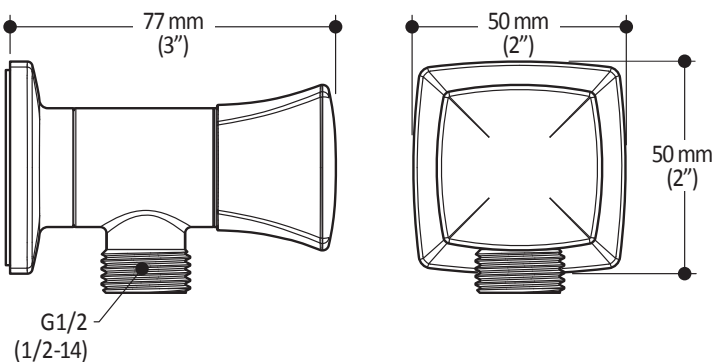
### Installation Notes

This product must be installed following the installation instructions provided.

### WARRANTY

Kalia Inc. guarantees all aspects of its products to be free of defects in material and workmanship for normal residential use. **Refer to the warranty included with the Kalia products for details.**

Product dimensions:



**Important:** Dimensions are approximated and are subject to changes. Please refer to the installation instructions.

**Kalia inc.**  
1355, 2nd Street  
Sainte-Marie (Quebec)  
Canada G6E 1G9

t. 1-418-387-9090  
1 877 GO KALIA (1-877-465-2542)  
f. 1-418-387-9089  
www.KaliaStyle.com