



ONCE UPON A TIME...WATER®

PRECISO™

BF1825-XXX

TG3 Thermostatic Shower System

SPECIFICATIONS

Components included

- BF1832-XXX*: Calgreen 3-way AQUATONIK™ type T/P 1/2" valve with diverter (operates 1 component at a time) and decorative trim
- BF1633-XXX*: Rainhead with 90° wall arm
- 104286-XXX*: 2-jet handshower (2 direct functions and 1 shared function)
- 103577-XXX*: Wallbar
- 101620-XXX*: 60" flexible and soft PVC hose
- 102847-XXX*: Wall outlet
- 104337-XXX*: Tub spout

**XXX means that the finish color must be specified.*

Colors (Finishes)

- Chrome: BF1825-110

Certifications

The specified model meets or exceeds the following standards;



See the following sheets for the technical features of each component.

Installation Notes

This product must be installed following the installation instructions provided.

WARRANTY

Kalia Inc. guarantees all aspects of its products to be free of defects in material and workmanship for normal residential use. **Refer to the warranty included with the Kalia products for details.**



ONCE UPON A TIME...WATER®

1355, 2nd Street, Industrial Park
Sainte-Marie (Québec)
Canada G6E 1G9

T 418-387-9090
1-877-GO-KALIA (1-87- 465-2542)
F 418 387-9089

KaliaStyle.com





ONCE UPON A TIME...WATER®

PRECISO™

BF1832

CalGreen 3-way AQUATONIK™ type T/P 1/2" valve with diverter and decorative trim

SPÉCIFICATIONS

Features

- 2 male water inlets 1/2NPT threaded or welded
- 3 male water outlets 1/2NPT threaded or welded
- Solid brass construction
- Total adjustment of 32 mm (1 1/4")
- Can be installed back to back
- Support included for better stability during installation
- Operates 1 component at a time

Colors (Finishes)

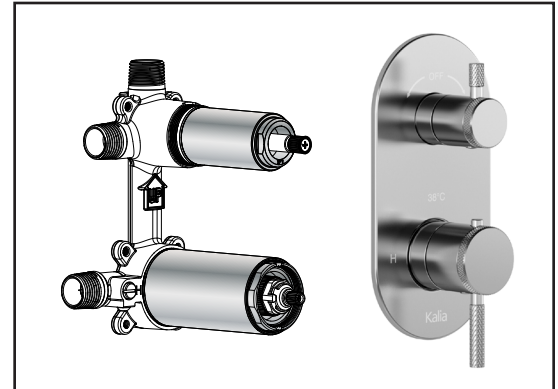
- Chrome: BF1832-110

Maximum flow rate

- 1 outlet: 22 L/min (5.9 gpm) at 60 psi

Certifications

The specified model meets or exceeds the following standards;



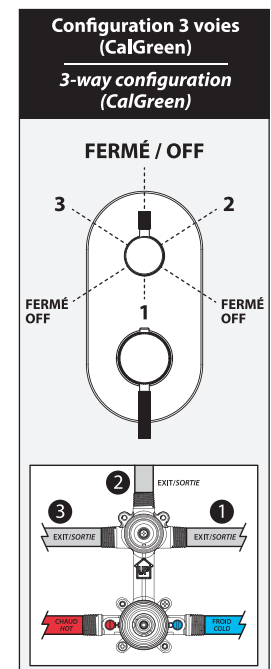
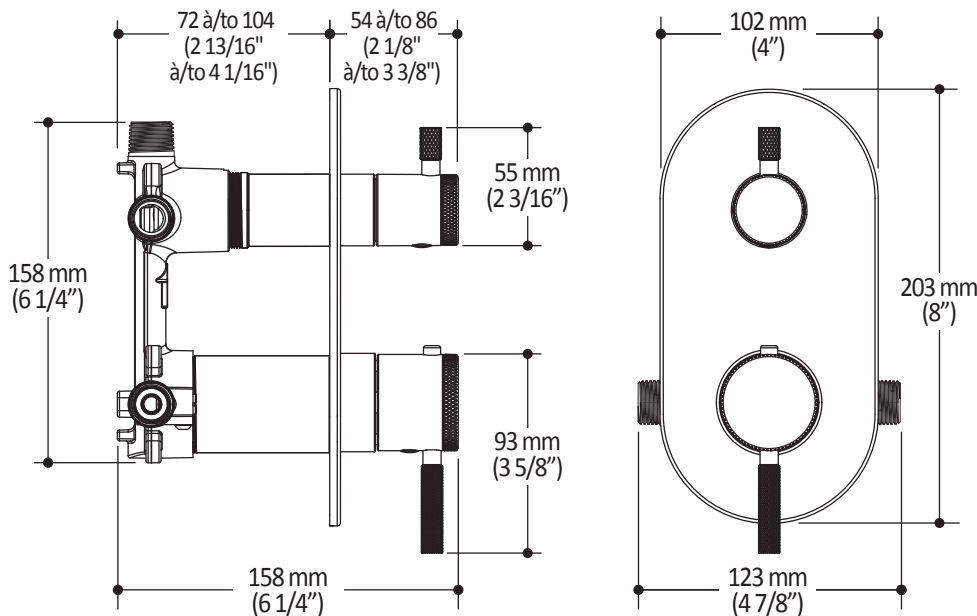
Installation Notes

This product must be installed following the installation instructions provided.

WARRANTY

Kalia Inc. guarantees all aspects of its products to be free of defects in material and workmanship for normal residential use. Refer to the warranty included with the Kalia products for details.

Product dimensions:



Important: Dimensions are approximated and are subject to changes. Please refer to the installation instructions.



ONCE UPON A TIME...WATER®

1355, 2nd Street, Industrial Park
Sainte-Marie (Québec)
Canada G6E 1G9

T 418-387-9090
1-877-GO-KALIA (1-87- 465-2542)
F 418-387-9089

KaliaStyle.com





Kalia

ONCE UPON A TIME...WATER®

ROUNDONE™

BF1633

Rainhead with 90° Wallarm

SPÉCIFICATIONS

Features

- Male water inlet 1/2NPT on wall arm
- Female water inlet G1/2 on rainhead
- Rainhead diameter of 220 mm (8 5/8")
- Anti-scale system with soft sprays
- Adjustable orientation swivel

Colors (Finishes)

- Chrome: BF1633-110
- Matte Black: BF1633-160

Maximum flow rate

- 9.5 L/min (2.5 gpm) at 80 psi

Certifications

The specified model meets or exceeds the following standards;



CSA B125.1
ASME A112.18.1



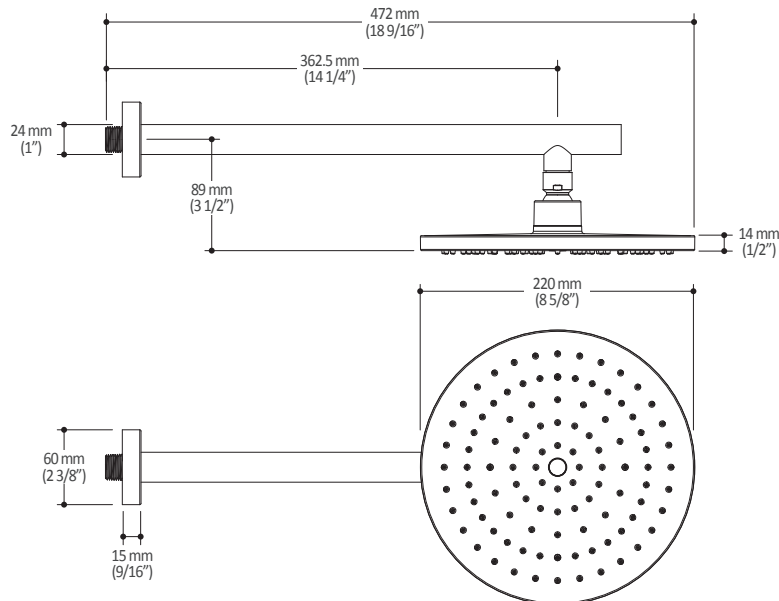
Installation Notes

This product must be installed following the installation instructions provided.

WARRANTY

Kalia Inc. guarantees all aspects of its products to be free of defects in material and workmanship for normal residential use. **Refer to the warranty included with the Kalia products for details.**

Product dimensions:



Important: Dimensions are approximated and are subject to changes. Please refer to the installation instructions.



Kalia

ONCE UPON A TIME...WATER®

1355, 2nd Street, Industrial Park
Sainte-Marie (Québec)
Canada G6E 1G9

T 418-387-9090
1-877-GO-KALIA (1-87- 465-2542)
F 418 387-9089

KaliaStyle.com





ONCE UPON A TIME...WATER®

104286

2-jet handshower

SPECIFICATIONS

Features

- Dimension: 120 mm (4 3/4")
- Anti-scale system with soft sprays
- Male water inlet G1/2
- 2 direct functions and 1 shared function

Colors (Finishes)

- Chrome: 104286-110
- Matte Black: 104286-160

Maximum flow rate

- 9.5 L/min (2.5 gpm) at 60 psi

Certifications

The specified model meets or exceeds the following standards;



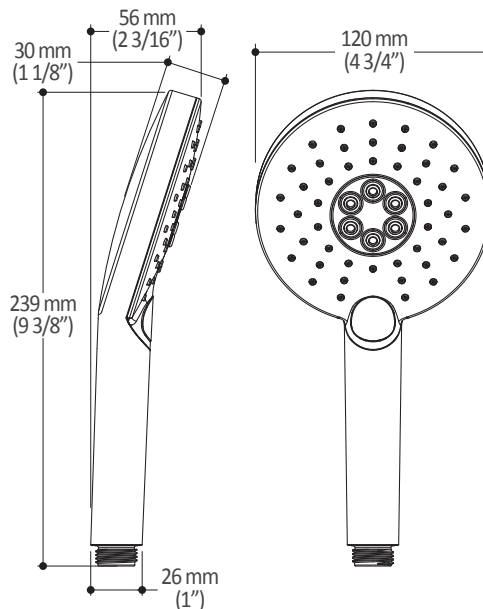
Installation Notes

This product must be installed following the installation instructions provided.

WARRANTY

Kalia Inc. guarantees all aspects of its products to be free of defects in material and workmanship for normal residential use. **Refer to the warranty included with the Kalia products for details.**

Product dimensions:



Important : Dimensions are approximated and are subject to changes. Please refer to the installation instructions.



ONCE UPON A TIME...WATER®

1355, 2nd Street, Industrial Park
Sainte-Marie (Québec)
Canada G6E 1G9

T 418-387-9090
1-877-GO-KALIA (1-87- 465-2542)
F 418 387-9089

KaliaStyle.com





Kalia

ONCE UPON A TIME...WATER®

103577

Wallbar for handshower

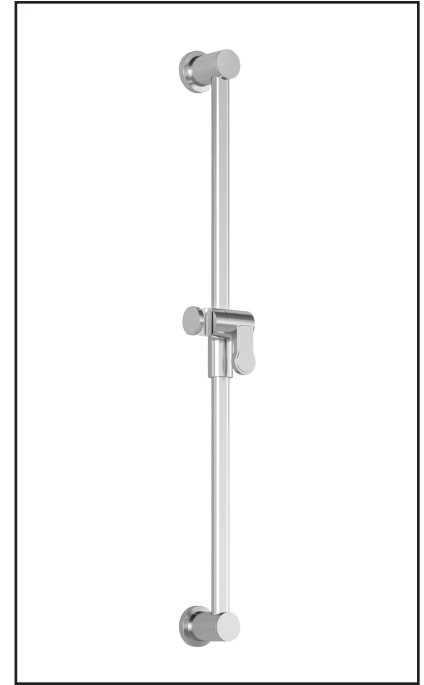
SPÉCIFICATIONS

Features

- Total height of 742 mm (30")
- Easy-to-use gliding system
- Locking system

Colors (Finishes)

- Chrome: 103577-110
- Matte Black: 103577-160



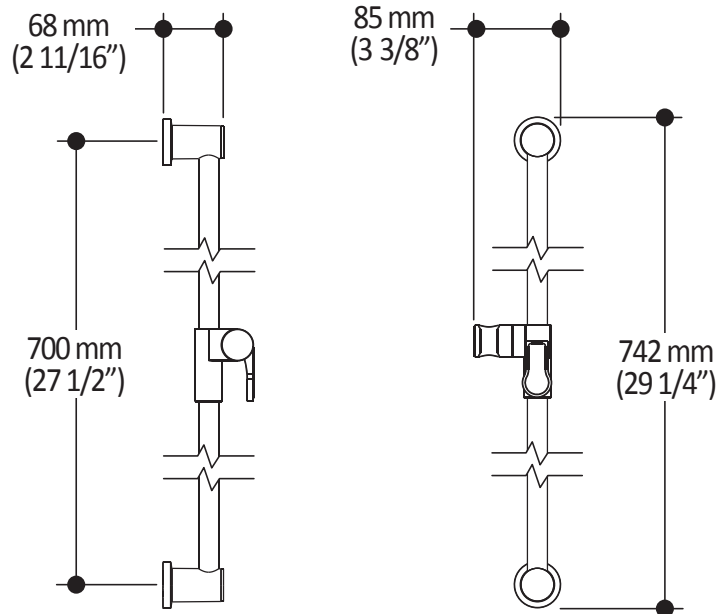
Installation Notes

This product must be installed following the installation instructions provided.

WARRANTY

Kalia Inc. guarantees all aspects of its products to be free of defects in material and workmanship for normal residential use. **Refer to the warranty included with the Kalia products for details.**

Product dimensions:



Important : Dimensions are approximated and are subject to changes. Please refer to the installation instructions.



ONCE UPON A TIME...WATER®

1355, 2nd Street, Industrial Park
Sainte-Marie (Québec)
Canada G6E 1G9

T 418-387-9090
1-877-GO-KALIA (1-87- 465-2542)
F 418 387-9089

KaliaStyle.com





Kalia

ONCE UPON A TIME...WATER®

104337 Tub Spout

SPÉCIFICATIONS

Features

- 1/2" cooper "slip fit" inlet or male water inlet 1/2NPT with 76 mm (3") adjustment
- Solid brass construction
- Regular water jet
- High water flow

Colors (Finishes)

- Chrome: 104337-110
- Matte Black: 104337-160

Certifications

The specified model meets or exceeds the following standards;



CSA B125.1
ASME A112.18.1



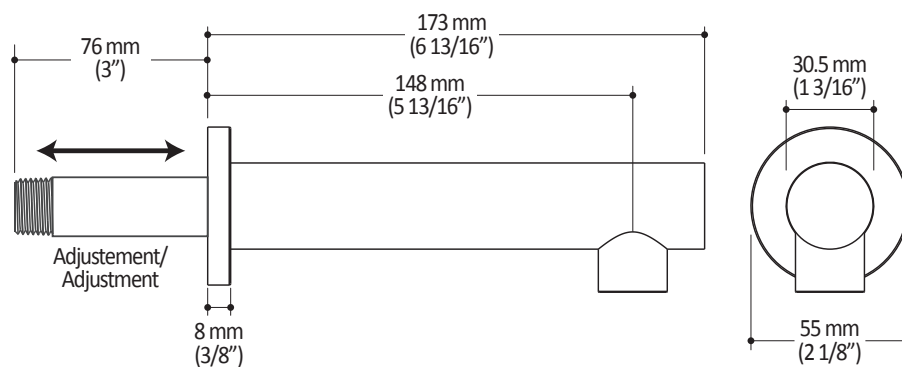
Installation Notes

This product must be installed following the installation instructions provided.

WARRANTY

Kalia Inc. guarantees all aspects of its products to be free of defects in material and workmanship for normal residential use. **Refer to the warranty included with the Kalia products for details.**

Product dimensions:



Important: Dimensions are approximated and are subject to changes. Please refer to the installation instructions.



ONCE UPON A TIME...WATER®

1355, 2nd Street, Industrial Park
Sainte-Marie (Québec)
Canada G6E 1G9

T 418-387-9090
1-877-GO-KALIA (1-87- 465-2542)
F 418 387-9089

KaliaStyle.com





ONCE UPON A TIME...WATER®

102847 Wall Outlet

SPECIFICATIONS

Features

- Male or female water inlet 1/2NPT
- Male water outlet G1/2
- Solid brass construction
- PVD finish (Physical Vapour Deposit): A high technology process that protects the surface finish for increased durability

Colors (Finishes)

- Chrome: 102847-110
- Brushed Nickel PVD: 102847-120
- Matte Black: 102847-160

Certifications

The specified model meets or exceeds the following standards;



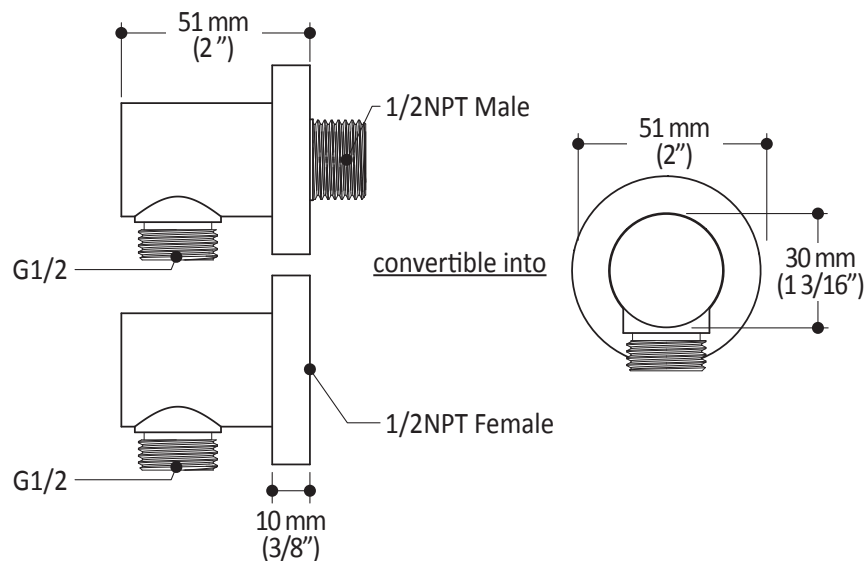
Installation Notes

This product must be installed following the installation instructions provided.

WARRANTY

Kalia Inc. guarantees all aspects of its products to be free of defects in material and workmanship for normal residential use. **Refer to the warranty included with the Kalia products for details.**

Product dimensions:



Important: Dimensions are approximated and are subject to changes. Please refer to the installation instructions.



ONCE UPON A TIME...WATER®

1355, 2nd Street, Industrial Park
Sainte-Marie (Québec)
Canada G6E 1G9

T 418-387-9090
1-877-GO-KALIA (1-87- 465-2542)
F 418 387-9089

KaliaStyle.com

