



ONCE UPON A TIME...WATER®

**PRECISO™**

**BF1821-XXX**

**TG2 Thermostatic Shower System**

**SPECIFICATIONS**

**Components included**

- BF1831-XXX\*: CalGreen 2-way AQUATONIK™ type T/P 1/2" valve with diverter (operates 1 component at a time) and decorative trim
- BF1633-XXX\*: Rainhead with 90° wall arm
- 104286-XXX\*: 2-jet handshower (2 direct functions and 1 shared function)
- 103577-XXX\*: Wallbar
- 101620-XXX\*: 60" flexible and soft PVC hose
- 102847-XXX\*: Wall outlet

*\* XXX means that the finish color must be specified.*

**Colors (Finishes)**

- Chrome: BF1821-110

**Certifications**

*The specified model meets or exceeds the following standards;*



*See the following sheets for the technical features of each component.*

**Installation Notes**

This product must be installed following the installation instructions provided.

**WARRANTY**

Kalia Inc. guarantees all aspects of its products to be free of defects in material and workmanship for normal residential use. **Refer to the warranty included with the Kalia products for details.**



ONCE UPON A TIME...WATER®

1355, 2<sup>nd</sup> Street, Industrial Park  
Sainte-Marie (Québec)  
Canada G6E 1G9

T 418-387-9090  
1-877-GO-KALIA (1-87- 465-2542)  
F 418 387-9089

**KaliaStyle.com**





ONCE UPON A TIME...WATER®

PRECISO™

BF1831

CalGreen 2-way AQUATONIK™ type T/P 1/2" valve with diverter and decorative trim

SPÉCIFICATIONS

Features

- 2 male water inlets 1/2NPT threaded or welded
- 2 male water outlets 1/2NPT threaded or welded
- Solid brass construction
- Total adjustment of 32 mm (1 1/4")
- Can be installed back to back
- Support included for better stability during installation
- Operates 1 component at a time

Colors (Finishes)

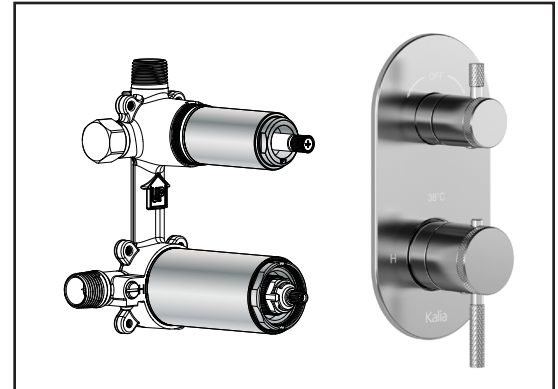
- Chrome: BF1831-110

Maximum flow rate

- 1 outlet: 22 L/min (5.9 gpm) at 60 psi

Certifications

The specified model meets or exceeds the following standards;



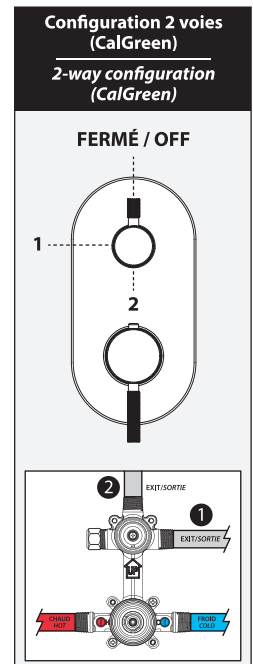
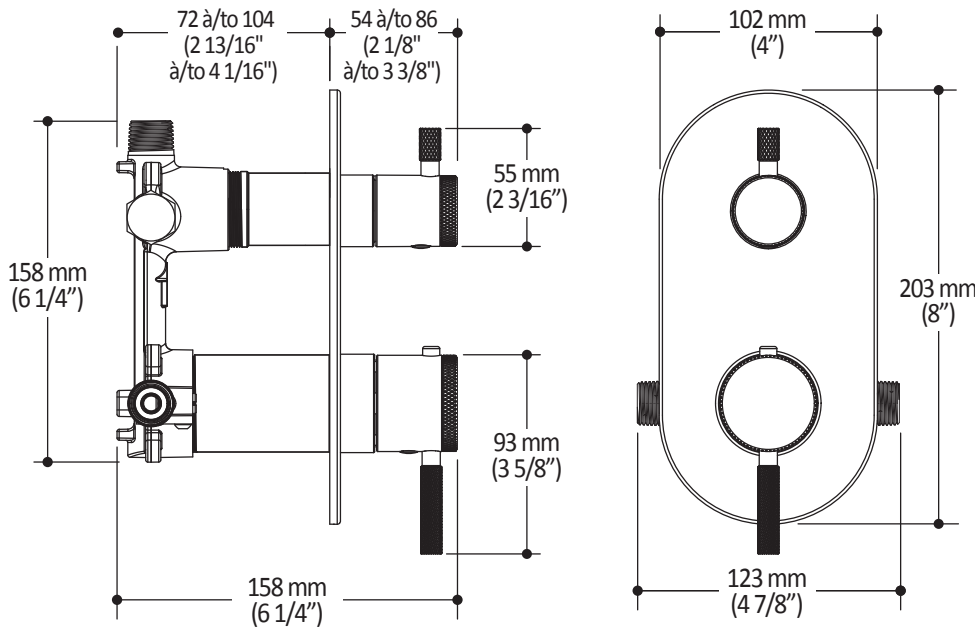
Installation Notes

This product must be installed following the installation instructions provided.

WARRANTY

Kalia Inc. guarantees all aspects of its products to be free of defects in material and workmanship for normal residential use. Refer to the warranty included with the Kalia products for details.

Product dimensions:



Important: Dimensions are approximated and are subject to changes. Please refer to the installation instructions.



ONCE UPON A TIME...WATER®

1355, 2<sup>nd</sup> Street, Industrial Park  
Sainte-Marie (Québec)  
Canada G6E 1G9

T 418-387-9090  
1-877-GO-KALIA (1-87- 465-2542)  
F 418 387-9089

KaliaStyle.com





# Kalia

ONCE UPON A TIME...WATER®

# ROUNDONE™

## BF1633

### Rainhead with 90° Wallarm

### SPÉCIFICATIONS

#### Features

- Male water inlet 1/2NPT on wall arm
- Female water inlet G1/2 on rainhead
- Rainhead diameter of 220 mm (8 5/8")
- Anti-scale system with soft sprays
- Adjustable orientation swivel

#### Colors (Finishes)

- Chrome: BF1633-110
- Matte Black: BF1633-160

#### Maximum flow rate

- 9.5 L/min (2.5 gpm) at 80 psi

#### Certifications

The specified model meets or exceeds the following standards;



CSA B125.1  
ASME A112.18.1



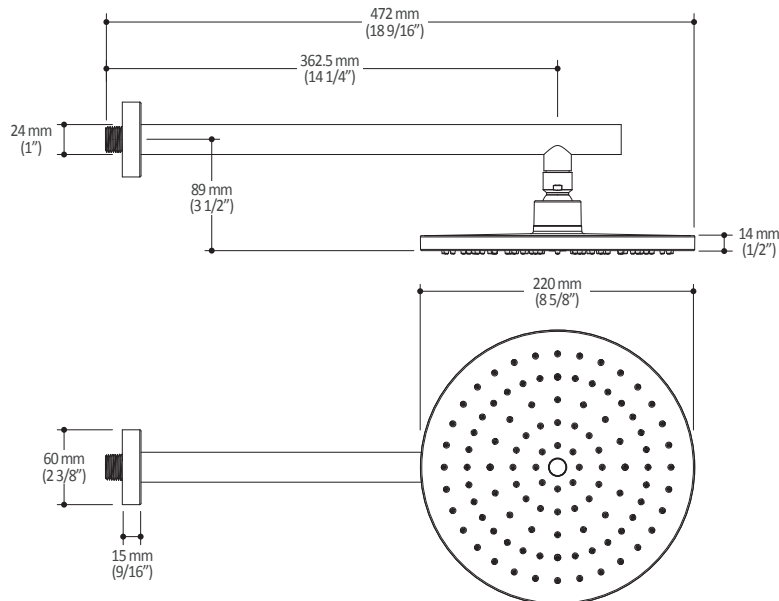
#### Installation Notes

This product must be installed following the installation instructions provided.

#### WARRANTY

Kalia Inc. guarantees all aspects of its products to be free of defects in material and workmanship for normal residential use. **Refer to the warranty included with the Kalia products for details.**

Product dimensions:



**Important:** Dimensions are approximated and are subject to changes. Please refer to the installation instructions.



# Kalia

ONCE UPON A TIME...WATER®

1355, 2<sup>nd</sup> Street, Industrial Park  
Sainte-Marie (Québec)  
Canada G6E 1G9

T 418-387-9090  
1-877-GO-KALIA (1-87-465-2542)  
F 418 387-9089

KaliaStyle.com





ONCE UPON A TIME...WATER®

# 104286 2-jet handshower SPECIFICATIONS

### Features

- Dimension: 120 mm (4 3/4")
- Anti-scale system with soft sprays
- Male water inlet G1/2
- 2 direct functions and 1 shared function

### Colors (Finishes)

- Chrome: 104286-110
- Matte Black: 104286-160

### Maximum flow rate

- 9.5 L/min (2.5 gpm) at 60 psi

### Certifications

The specified model meets or exceeds the following standards;



CSA B125.1  
ASME A112.18.1



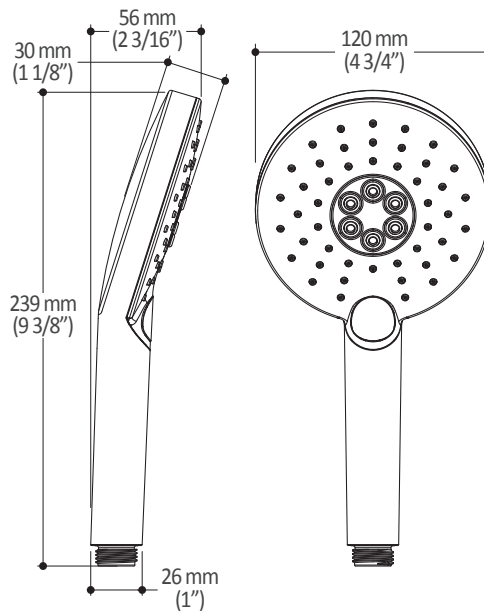
### Installation Notes

This product must be installed following the installation instructions provided.

### WARRANTY

Kalia Inc. guarantees all aspects of its products to be free of defects in material and workmanship for normal residential use. **Refer to the warranty included with the Kalia products for details.**

Product dimensions:



**Important :** Dimensions are approximated and are subject to changes. Please refer to the installation instructions.



ONCE UPON A TIME...WATER®

1355, 2<sup>nd</sup> Street, Industrial Park  
Sainte-Marie (Québec)  
Canada G6E 1G9

T 418-387-9090  
1-877-GO-KALIA (1-87- 465-2542)  
F 418 387-9089

KaliaStyle.com





ONCE UPON A TIME...WATER®

103577

Wallbar for handshower

*SPÉCIFICATIONS*

**Features**

- Total height of 742 mm (30")
- Easy-to-use gliding system
- Locking system

**Colors (Finishes)**

- Chrome: 103577-110
- Matte Black: 103577-160



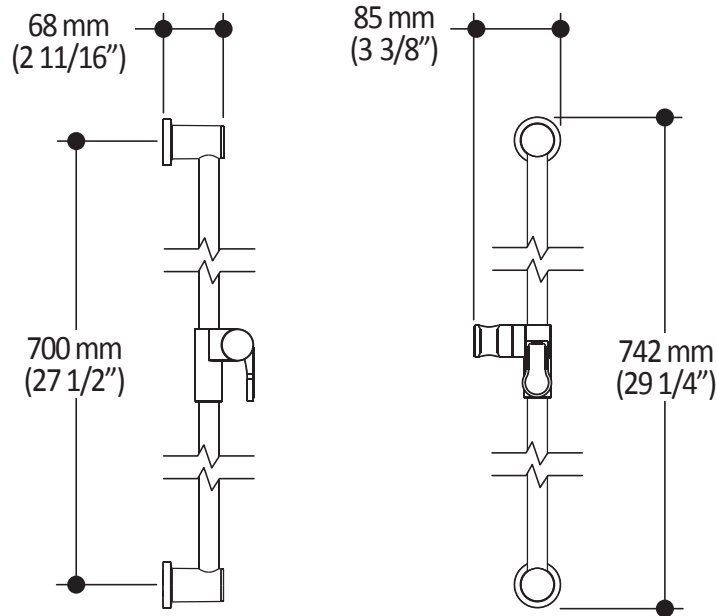
**Installation Notes**

This product must be installed following the installation instructions provided.

**WARRANTY**

Kalia Inc. guarantees all aspects of its products to be free of defects in material and workmanship for normal residential use. Refer to the warranty included with the Kalia products for details.

*Product dimensions:*



**Important :** Dimensions are approximated and are subject to changes. Please refer to the installation instructions.



ONCE UPON A TIME...WATER®

1355, 2<sup>nd</sup> Street, Industrial Park  
Sainte-Marie (Québec)  
Canada G6E 1G9

T 418-387-9090  
1-877-GO-KALIA (1-87- 465-2542)  
F 418 387-9089

KaliaStyle.com





ONCE UPON A TIME...WATER®

# 102847 Wall Outlet

## SPECIFICATIONS

### Features

- Male or female water inlet 1/2NPT
- Male water outlet G1/2
- Solid brass construction
- PVD finish (Physical Vapour Deposit): A high technology process that protects the surface finish for increased durability

### Colors (Finishes)

- Chrome: 102847-110
- Brushed Nickel PVD: 102847-120
- Matte Black: 102847-160

### Certifications

The specified model meets or exceeds the following standards;



### Installation Notes

This product must be installed following the installation instructions provided.

### WARRANTY

Kalia Inc. guarantees all aspects of its products to be free of defects in material and workmanship for normal residential use. **Refer to the warranty included with the Kalia products for details.**

Product dimensions:



**Important:** Dimensions are approximated and are subject to changes. Please refer to the installation instructions.



ONCE UPON A TIME...WATER®

1355, 2<sup>nd</sup> Street, Industrial Park  
Sainte-Marie (Québec)  
Canada G6E 1G9

T 418-387-9090  
1-877-GO-KALIA (1-87- 465-2542)  
F 418 387-9089

KaliaStyle.com

