



# Kalia

ONCE UPON A TIME...WATER®

## ROUNDONE™

### BF1686-XXX

#### TCG1 Thermostatic Coaxial Shower System (without valve)

#### SPECIFICATIONS



#### Components included

- 104090-XXX\*: Decorative trim for Calgreen 2-way **AQUATONIK™** type T/P 1/2" coaxial valve with diverter
- BF1633-XXX\*: Rainhead with 90° wall arm
- 104286-XXX\*: 2-jet handheld shower (2 direct functions and 1 shared function)
- 103577-XXX\*: Wallbar
- 101620-XXX\*: 60" flexible and soft PVC hose
- 102847-XXX\*: Wall outlet

*\*XXX means that the finish color must be specified.*

#### Colors (Finishes)

- Chrome: BF1686-110
- Matte Black: BF1686-160

*See the following sheets for the technical features of each component.*

#### Installation Notes

This product must be installed following the installation instructions provided.

#### WARRANTY

Kalia Inc. guarantees all aspects of its products to be free of defects in material and workmanship for normal residential use. **Refer to the warranty included with the Kalia products for details.**



# Kalia

ONCE UPON A TIME...WATER®

1355, 2<sup>nd</sup> Street, Industrial Park  
Sainte-Marie (Québec)  
Canada G6E 1G9

T 418-387-9090  
1-877-GO-KALIA (1-87- 465-2542)  
F 418 387-9089

KaliaStyle.com





ONCE UPON A TIME...WATER®

**ROUNDONE™**

**104090**

**2-way AQUATONIK™ type T/P 1/2" coaxial valve round decorative trim**

***SPÉCIFICATIONS***

**Features**

- Solid brass construction
- Total adjustment of 30 mm (1 3/16")

**Colors (Finishes)**

- Chrome: 104090-110
- Matte Black: 104090-160

**Certifications**

*The specified model meets or exceeds the following standards;*



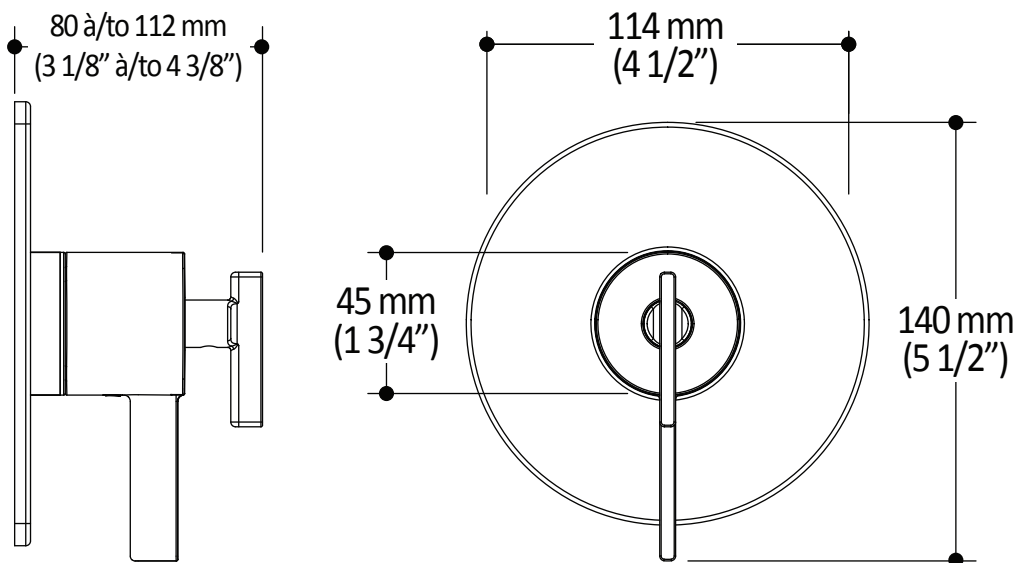
**Installation Notes**

This product must be installed following the installation instructions provided.

**WARRANTY**

Kalia Inc. guarantees all aspects of its products to be free of defects in material and workmanship for normal residential use. **Refer to the warranty included with the Kalia products for details.**

*Product dimensions:*



**Important:** Dimensions are approximated and are subject to changes. Please refer to the installation instructions.



ONCE UPON A TIME...WATER®

1355, 2<sup>nd</sup> Street, Industrial Park  
Sainte-Marie (Québec)  
Canada G6E 1G9

T 418-387-9090  
1-877-GO-KALIA (1-87- 465-2542)  
F 418 387-9089

**KaliaStyle.com**





# Kalia

ONCE UPON A TIME...WATER®

# ROUNDONE™

## BF1633

### Rainhead with 90° Wallarm

### SPÉCIFICATIONS

#### Features

- Male water inlet 1/2NPT on wall arm
- Female water inlet G1/2 on rainhead
- Rainhead diameter of 220 mm (8 5/8")
- Anti-scale system with soft sprays
- Adjustable orientation swivel

#### Colors (Finishes)

- Chrome: BF1633-110
- Matte Black: BF1633-160

#### Maximum flow rate

- 9.5 L/min (2.5 gpm) at 80 psi

#### Certifications

The specified model meets or exceeds the following standards;



CSA B125.1  
ASME A112.18.1



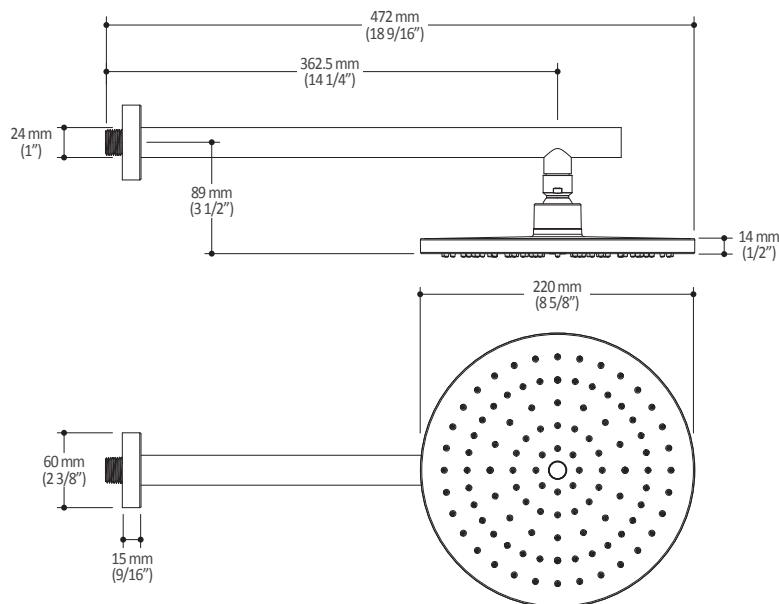
#### Installation Notes

This product must be installed following the installation instructions provided.

#### WARRANTY

Kalia Inc. guarantees all aspects of its products to be free of defects in material and workmanship for normal residential use. **Refer to the warranty included with the Kalia products for details.**

Product dimensions:



**Important:** Dimensions are approximated and are subject to changes. Please refer to the installation instructions.



# Kalia

ONCE UPON A TIME...WATER®

1355, 2<sup>nd</sup> Street, Industrial Park  
Sainte-Marie (Québec)  
Canada G6E 1G9

T 418-387-9090  
1-877-GO-KALIA (1-87- 465-2542)  
F 418 387-9089

KaliaStyle.com





ONCE UPON A TIME...WATER®

104286

2-jet handshower

**SPECIFICATIONS**

**Features**

- Dimension: 120 mm (4 3/4")
- Anti-scale system with soft sprays
- Male water inlet G1/2
- 2 direct functions and 1 shared function

**Colors (Finishes)**

- Chrome: 104286-110
- Matte Black: 104286-160

**Maximum flow rate**

- 9.5 L/min (2.5 gpm) at 80 psi

**Certifications**

*The specified model meets or exceeds the following standards;*



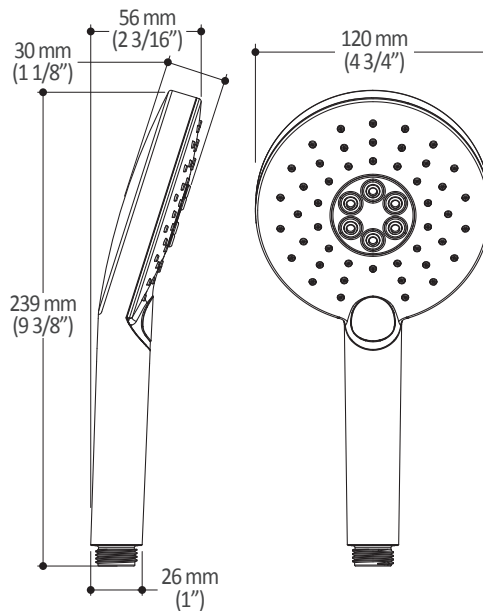
**Installation Notes**

This product must be installed following the installation instructions provided.

**WARRANTY**

Kalia Inc. guarantees all aspects of its products to be free of defects in material and workmanship for normal residential use. **Refer to the warranty included with the Kalia products for details.**

*Product dimensions:*



**Important :** Dimensions are approximated and are subject to changes. Please refer to the installation instructions.



ONCE UPON A TIME...WATER®

1355, 2<sup>nd</sup> Street, Industrial Park  
Sainte-Marie (Québec)  
Canada G6E 1G9

T 418-387-9090  
1-877-GO-KALIA (1-87- 465-2542)  
F 418 387-9089

KaliaStyle.com





# Kalia

ONCE UPON A TIME...WATER®

## 103577

### Wallbar for handshower

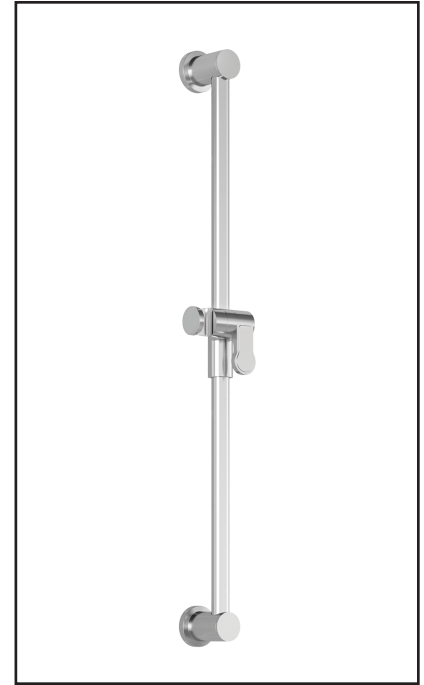
### SPÉCIFICATIONS

#### Features

- Total height of 742 mm (30")
- Easy-to-use gliding system
- Locking system

#### Colors (Finishes)

- Chrome: 103577-110
- Matte Black: 103577-160



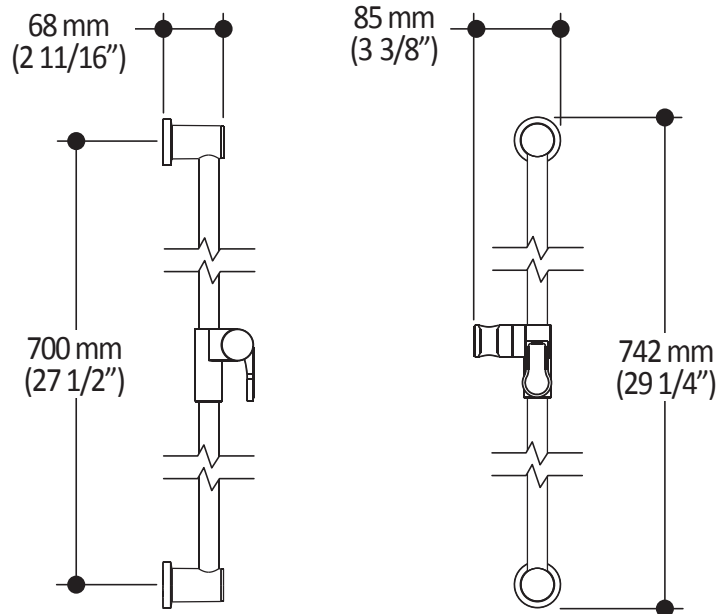
#### Installation Notes

This product must be installed following the installation instructions provided.

#### WARRANTY

Kalia Inc. guarantees all aspects of its products to be free of defects in material and workmanship for normal residential use. **Refer to the warranty included with the Kalia products for details.**

*Product dimensions:*



**Important :** Dimensions are approximated and are subject to changes. Please refer to the installation instructions.



ONCE UPON A TIME...WATER®

1355, 2<sup>nd</sup> Street, Industrial Park  
Sainte-Marie (Québec)  
Canada G6E 1G9

T 418-387-9090  
1-877-GO-KALIA (1-87- 465-2542)  
F 418 387-9089

KaliaStyle.com





ONCE UPON A TIME...WATER®

# 102847 Wall Outlet

## SPECIFICATIONS

### Features

- Male or female water inlet 1/2NPT
- Male water outlet G1/2
- Solid brass construction
- PVD finish (Physical Vapour Deposit): A high technology process that protects the surface finish for increased durability

### Colors (Finishes)

- Chrome: 102847-110
- Brushed Nickel PVD: 102847-120
- Matte Black: 102847-160

### Certifications

The specified model meets or exceeds the following standards;



### Installation Notes

This product must be installed following the installation instructions provided.

### WARRANTY

Kalia Inc. guarantees all aspects of its products to be free of defects in material and workmanship for normal residential use. **Refer to the warranty included with the Kalia products for details.**

Product dimensions:



**Important:** Dimensions are approximated and are subject to changes. Please refer to the installation instructions.



ONCE UPON A TIME...WATER®

1355, 2<sup>nd</sup> Street, Industrial Park  
Sainte-Marie (Québec)  
Canada G6E 1G9

T 418-387-9090  
1-877-GO-KALIA (1-87- 465-2542)  
F 418 387-9089

KaliaStyle.com





# Kalia

ONCE UPON A TIME...WATER®

## 104337 Tub Spout

### SPÉCIFICATIONS

#### Features

- 1/2" cooper "slip fit" inlet or male water inlet 1/2NPT with 76 mm (3") adjustment
- Solid brass construction
- Regular water jet
- High water flow

#### Colors (Finishes)

- Chrome: 104337-110
- Matte Black: 104337-160

#### Certifications

The specified model meets or exceeds the following standards;



CSA B125.1  
ASME A112.18.1



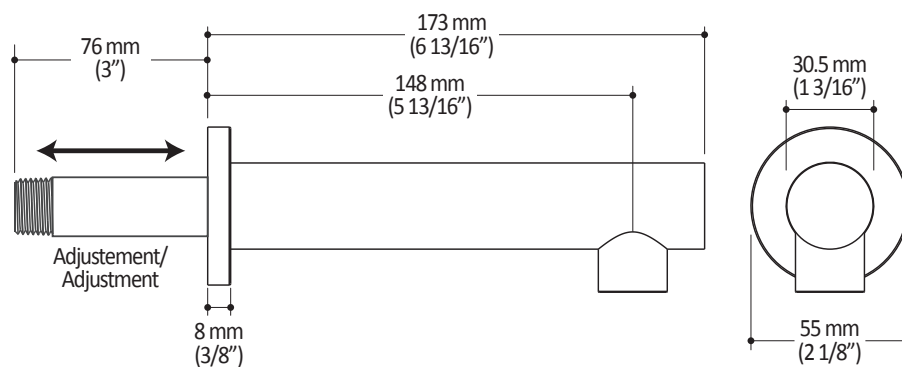
#### Installation Notes

This product must be installed following the installation instructions provided.

#### WARRANTY

Kalia Inc. guarantees all aspects of its products to be free of defects in material and workmanship for normal residential use. **Refer to the warranty included with the Kalia products for details.**

Product dimensions:



**Important:** Dimensions are approximated and are subject to changes. Please refer to the installation instructions.



ONCE UPON A TIME...WATER®

1355, 2<sup>nd</sup> Street, Industrial Park  
Sainte-Marie (Québec)  
Canada G6E 1G9

T 418-387-9090  
1-877-GO-KALIA (1-87- 465-2542)  
F 418 387-9089

KaliaStyle.com

