

**Features**

- Solid brass construction
- Integral check valves
- Flexible 60” hose
- Laminar and hidden stream
- Integrated Diverter
- High flow cartridge with ceramic disc

**Colors (Finishes)**

- Chrome: BF1814-110
- Matte black: BF1814-160

**Maximum flow rate**

- 26.6 L/min (7 gpm) at 60 psi

**Certifications**

The specified model meets or exceeds the following standards:



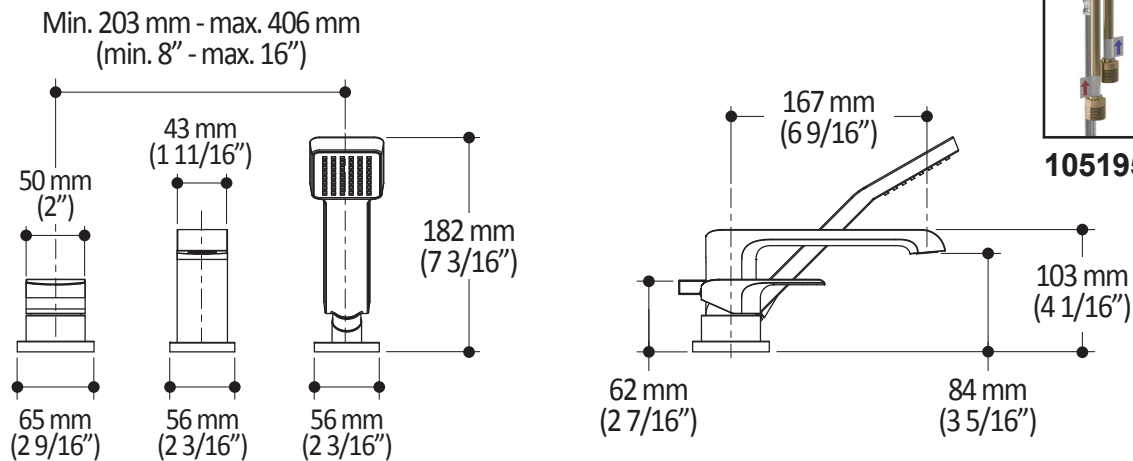
**Installation Notes**

This product must be installed following the installation instructions provided.

**WARRANTY**

Kalia Inc. guarantees all aspects of its products to be free of defects in material and workmanship for normal residential use. **Refer to the warranty included with the Kalia products for details.**

Product dimensions:



**105195 required**

**Important:** Dimensions are approximated and are subject to changes. Please refer to the installation instructions.